

CC220400021 EN220300264

<b>HYDMARK APPLICON</b> A 5/4 & 6/4, PHASE II, INDUSTRIAL AREA, MAYAPURI NEW DELHI - 110064 PHONE: +91-11-45114611-30 lines, FAX: +91-11-28116246 E-mail: sales@hydmark.com		<b>QUOTATION</b>	
OUR REF.		HAQ/JAL/21-22/1480	
DATE		26.03.2022	
M/s.Jindal Aluminium Ltd., KIADB Industrial area, Tumkur Road Dobbaspet, Nelamangala taluk,Bangaluru Rural, Dist- 562111. India		YOUR REF.: - Your email dated- 23.03.2022	
Tel.: 080- 27735051/ 52   Mob.   9611195368		Kind Attn.: - Rajgopal.C. Sarda (Asst. Manager Purchase)	
		Email: rajgopal@jindalaluminium.com	

Dear Sir,  
We feel pleasure in forwarding our quotation for the following:

S. NO.	DESCRIPTION	QTY.	UNIT PRICE
1.	<b>HYDRAULIC CYLINDER FOR BAILING PRESS</b>  ❖ Type : Double Acting ❖ Bore : Ø320 mm ❖ Rod : Ø180 mm ❖ Stroke : 650 mm ❖ Mounting : As per your drawing ❖ Working pressure : 250 bar ❖ Test pressure : 300 bar ❖ Seals : ISO Standard ❖ Max. Working temp. : 65°C ❖ Cushioning : None ❖ As per your drawing no. : BP-BP-03-A3 ❖ Material of construction ▪ Honed tube - ST 52, BK+S, DIN 2391 ▪ Piston rod - CK45/C45 ▪ Flange & glands - C20 ▪ Fasteners - high tensile ▪ Chrome plating thickness on rod - 20-30 microns ▪ Rod surface roughness Ra 0.2 / 0.4 microns	01 No.	@ ₹ <del>4,22,000.00</del> Each (@ Rupees four lacs twenty two thousand only)

₹ 2,30,000

CHECK LIST	
QTY.	checked
PRICE	checked
DESCRIPTION	checked
DATE	checked
TEST	checked
WARRANTY	checked
DELIVERY	checked
PACKING	checked
INVOICE	checked
REMARKS	checked

Our terms & conditions of business are as per the details listed below:-

Payment Terms	Within 30 days
Price Basis	Ex - Bangalore.
GST	18% Extra /As applicable
Our GST No.	07AAAPO2514K1ZV
HSN Code	84129090
Delivery	8 - 10 Weeks after the firm placement of order with drawing approval.
Packing & Forwarding	Nil
Freight	Nil
Validity of quotation	45 days.

We shall look forward to receipt of your valuable order.

Thanking you,  
Yours Sincerely,

A.P.S. Oberoi

discussed with and agreed  
Mr. Oberoi above said

Enclosures:		
S. No.	Description	Page

# CHECK LIST

DISCOUNTED Rate as below

Ref No: PS/20-21/239/JAL

POP Dated: 25-03-2022

To,  
**Jindal Aluminium Ltd,**  
 SP-2/333, Industrial Area,  
 Bhiwadi Dist, Alwar,  
 (Rajasthan)- 301019

MEHTA HYDRAULICS EQUIPMENTS LLP  
 PAPER-142  
 Behind Shih House, Telco Road,  
 Bhosari, MIDC, PUNE-411026  
 MAHARASHTRA, INDIA  
 +91 8793528541 / 7525027080  
 info@mehtahydraulics.com  
 sales@mehtahydraulics.com  
 www.mehtahydraulics.com

Email – rajgopal@jindalaluminium.com  
 Kind Attention – Mr. Rajagopal. C. Sarda

Warranty: One Year  
 8 weeks (Eight)

Sub: - Offer for Hydraulic Cylinders Drawing No- BP-BP-03-A3

TECHNICAL SPECIFICATION & SCOPE OF SUPPLY OF HYDRAULIC CYLINDER. HSN-84193900

S. No	Description	Qty	Price / Unit
1	06350544_BP-BP-03-A3 Assembly For Side Cylinder of Bailing Press Bore 320/350 X Rod 180 X Stroke 650 Mounting as per Drawing Tube, Body of Cylinder- MS ST-52 Rod- EN8 Hard chrome Plated Seals- Markel	1	Rs.1,82,000/- Rs. 1,30,000

Total: - Rs.1,82,000/- (One Lakh Eighty-Two Thousand only/-)

Qty- 01 No's

Above mentioned cylinders price is as per drawing shared to us by End User of M/s JAL.


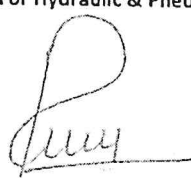
We hope that the above is in line with your requirement, and we look forward to receiving your valuable PURCHASE ORDER as earliest.

Discussed with Mrs. Pooja and agreed above rate

COMMERCIAL TERMS & CONDITIONS: -	
Validity	30 days
Price	Ex works, Bhosari Office
Discount	NET RATES
P & F charges	MHE
GST	Extra as applicable at the time of dispatch & present rate@ 18% extra
Freight	MHE
Transportation	MHE
Delivery	20 to 25 DAYS FROM THE DATE OF THE CONFIRM PO. Delivery Period shall commence after receipt of technically & commercially clear & firm order / clarification on all aspects of the order.
Payment terms	As Per Jindal Aluminium Ltd but not more than 30 days

08/04/22

## QUOTATION

 <b>Hydraulic &amp; Pneumatic Products</b> RZ-35, Q-EXTN., UTTAM VIHAR, UTTAM NAGAR, NEW DELHI-110059 GST No.: 07ANZPD3523B1Z6 Email: Sales.hpp2013@gmail.com Contact no. 91-9811940043/42	Quotation No	762 /2021-22				
	Quotation Date	24-03-22 <i>to 10 weeks via</i>				
	Delivery Time	<del>3-4 WEEKS</del> <i>10 weeks via</i>				
	Freight Charges	TO-PAY Basis / Extra at your scope				
	Payment Terms	50% advance, balance against Performa invoice.				
<b>Buyer Details :-</b> <b>M/S. JINDAL AALUMINIUM LTD.</b> SP-2/333, INDUSTRIAL AREA, BHIWADI - 301019, ALWAR DIST,( RAJASTHAN )  <b>PH NO- 9611195368</b>  <b>Email:</b> purchase.bhiwadi@jindalaluminium.com	Packing Charges	EXTRA 2%				
	TAXES (GST %)	5 or 18 % EXTRA CGST, SGST/IGST (AS APPLICABLE)				
	<b>Extra Note</b>					
S.NO	DESCRIPTION OF GOODS	HSN	UNIT	QTY	PRICE (RS.)	AMOUNT (RS.)
1.	<b>HYDRAULIC CYLINDER</b> Bore- 320 MM Rod- 180 MM Stroke- 650 MM Working pressure- 250 Bar Working Temperature- 65° C (AS PER YOUR DRAWING)  <b>(MAKE- HPP)</b>	8419	No.	01	2,13,900.00	2,13,900.00
Insurance : In your scope. You are requested to arrange proper insurance to claim transit damage if any occur during transportation. Warranty: 12 months against any manufacturing defect. In case of any problem product is to be sent to us. No warranty shall be entertained for failure due to mis-handling , mis-alignment , oil contamination & cavitations.					For Hydraulic & Pneumatic Products  PREPARED BY HARSHITA (Sales executive) 9811940043 Prem Kumar	
<b>BANK DETAILS :</b> AXIS BANK LTD., BRANCH-UTTAM NAGAR, A/C NO-913020034825027, IFSC CODE-UTIB0000696					CHECK LIST Ed Rate as above	

Discussed with Harshita and a good above rate

AN ISO 9001: 2015 CERTIFIED COMPANY



Inc  
 v.A.  
 18% Extra  
 30 days credit  
 FOR-JAL BWD  
 warranty: 12 months  
 10 weeks





Jindal Aluminium

Rajgopal C. Sarda <rajgopal@jindalaluminium.com>

**RE: Enquiry No:EN220300264Bhiwadi Division**

1 message

**Subrata Mitra** <smitra@vektra.co.in>  
 To: purchase.bhiwadi@jindalaluminium.com  
 Cc: rajgopal@jindalaluminium.com, vektra@eisec.com

Wed, Mar 30, 2022 at 7:43 AM

Dear Sir,

Thanks for your enquiry.

Our quote is as follows :

S/No.	Material Code	Description	Qty.	Unit Price (Rs)
1.	06350544	ASSLY OF SIDE CYLINDER FOR BAILING PRESS (GA 1.00 NOS DRAWING) AS PER DRG NO. BP-BP-03-A3, Bore Dia. : 320 mm x Rod Dia. : 180 mm x Stroke : 650 mm Seals – Rod : V pack, Piston: Compact type (Imported Make)	1 No.	<del>444000/-</del> Final Rate Rs. 3,98,000/-

**Commercial Terms :**

Price : Ex-Works Kolkata

Packing & Forwarding : 3% extra

Freight : To the buyer's account

IGST : 18% Extra

Payment Terms ; 40% advance along with purchase order and balance against Proforma Invoice prior to despatch.

Delivery : 14 weeks from the date of receipt of approved drawing.

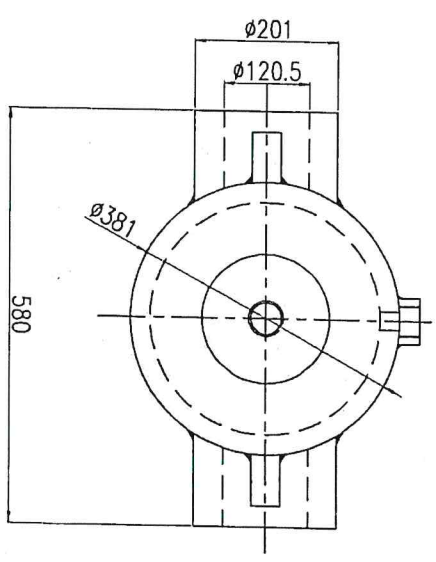
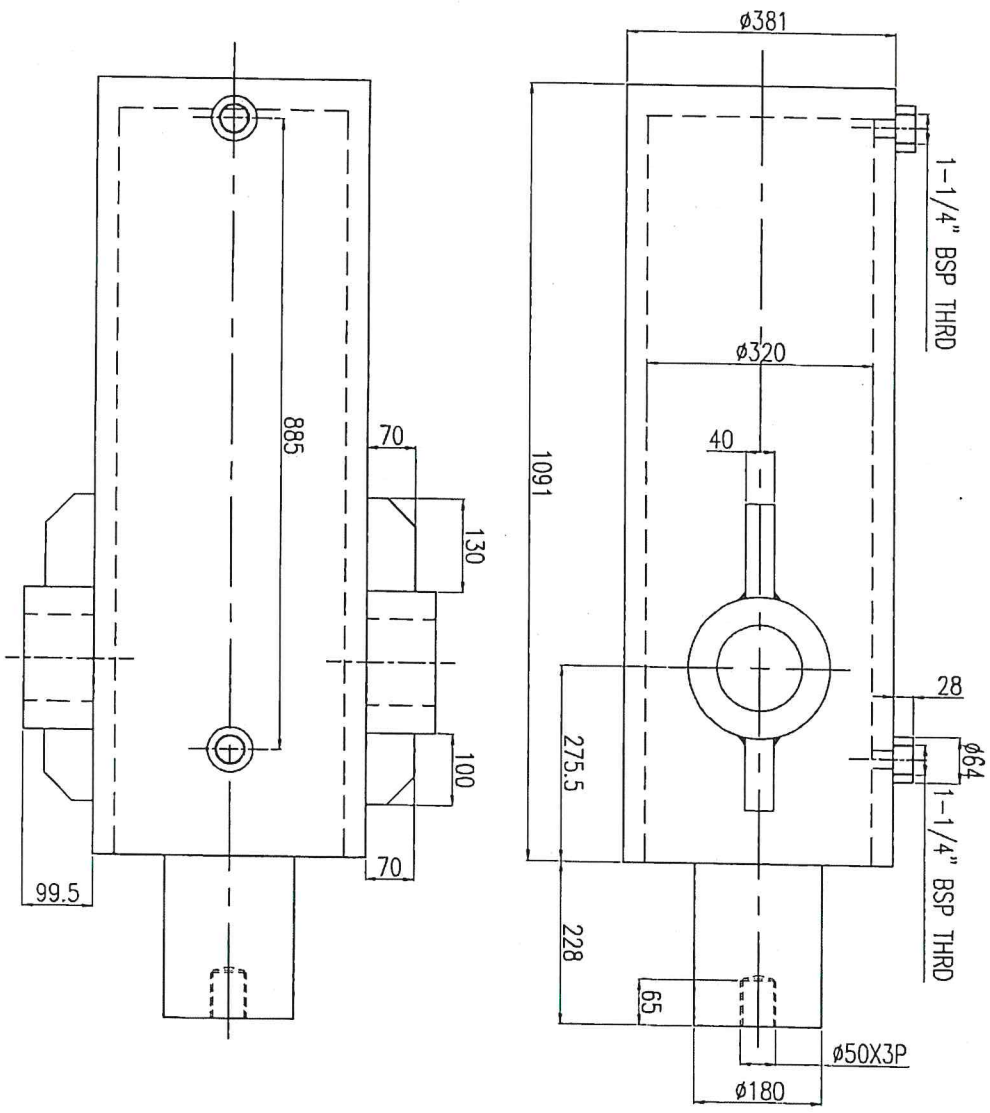
Warranty : 12 months from the date of despatch of the materials from our works.

Validity : 15 days from the date of this quote.

**CHECK LIST**

DISCOUNTED Rate as above  
 Incl  
 TAX : INCL TO BUYER  
 N.A.  
 18% Eodng  
 30 days credit  
 FER - FOR BWP  
 Warranty: one year  
 14 weeks

DISCUSSED WITH  
 Mr. Subrata and  
 agreed above  
 (Signature)  
 30/03/22



*weight: 900 lbs -*

*1 1/2" port*

NOTE :-

1. PISTON ROD - #180
2. CYL. BORE - #320
3. STROKE - 650
4. WORKING PRESSURE - 250 BAR
5. WORKING TEMP. - 85° C, MEDIA - H<sub>2</sub>O - 68
6. COMPACT PISTON SEAL WITH 3 PIECES DESIGN TO BE USED.
7. CYLINDER SHOULD COME WITH GLAND PACKING 1+3+1 TYPE

**JINDAL ALUMINIUM LTD.**  
 SP-2/353, INDUSTRIAL AREA,  
 BHIMWADI, RAJASTHAN-301019

NAME	DATE
DRK. VKAS	18.02.22
APPD.	

SCALE	DRAWING NO.
1:1	BP-BP-03-A3

ALL DIMENSIONS ARE IN MM., UNLESS OTHERWISE SPECIFIED.  
 ASSEMBLY OF SIDE CYLINDER FOR BALING PRESS (GA DRAWING)