

Indent NO: NO 220400016

NO 220400023

Mobile : 941 4707419

: 797 6717048

SHIVAM ENGINEERING

Deals in : All Kinds of Work Shop Facilities, Fabrication Work & Maintenance
Contact For Plant & Machineries

WORKS : G1-568-B, RIICO INDL. AREA, BHIWADI-301019 (RAJ.)

E-mail : shivam.engineering11@gmail.com

Ref. No.

QUOTATION

Date 20.4.2022

To, M/S. Jindal Aluminium Ltd.
SP-2/333 RIICO Indl. Area.
Bhiwadi - Alwar.

Subj:- Roller Machining (As per drawing) work.
Kind. Atten:- Mr. Raj Gopal.

D/Sir, As above sub work for Roller Machining
(As per drawing) So, I am giving our prices
as under:-

1. Idler Roller (Drg. No. APS-BPI-06-A3)
Bothside facing, Bearing Seat
Making & Circumferential Groove.

Rs. 475/-
Rs. 500/-
Per per

2. Drive Roller (Drg. No. APS-BPI-07-A3)
Bothside shaft reaming for bearing
seat + one side Keyway Making

Rs. 400/-
Per per

Note: Transportation provide by company.

Thanks

Yours faithfully -

For, Shivam Engineering

CHECK LIST

DISCOUNTED Rate

APR : 10% / 15%

IGST: 12%

30 days Credit

PER- JAL BWA

3 weeks

NIL

Discussed with
Mr. Biswas and agreed
above rate
22/04/22

SHREE SHYAM TRADING COMPANY

Deals In : ALL TYPE FABRICATON SOLUTION PROVIDERS

All Kinds of SS and MS Fabrication and Erection.

Off. Add. :Sec. 3 UIT Colony, Gaurav Path Bhiwadi (Raj.) 301019

E mail : chandawaddilip688@gmail.com

Ref. No. : SS/2021-22/2

Date : 07/04/2022

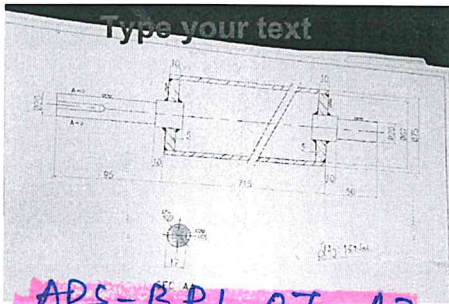
JINDAL ALUMINIUM LTD.
BHIWADI BARRIEL (BHIWADI)
Kind Attn:- **Rajgopal ji**

Email id:- rajgopal@jindalaluminium.com
Mob:- +91 9611195368

QUOTATION.

Dear Sir,
we can quote you our best as under:-

1.



APS-BPI-07-A3

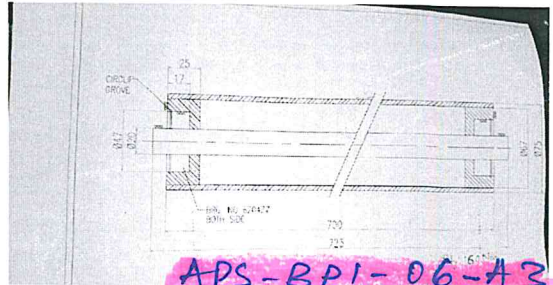
RS1350 par pics

Rs. 1050/-

TERMS AND CONDITION

- 1 TAX - As Actual
- 3 Delivery - After getting PO.

2.



APS-BPI-06-A3

RS 1550 Par pics

Rs. 1100/-

CHECK LIST

- 1 **ACCOUNTED** Rate as above
- 2 **Cartage** - Extra
- 3 **INCURRED** *Inc*
- 4 **Payment** - With PO

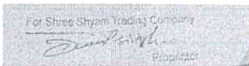
INCURRED *N.A.*

INCURRED *N.A.*

INCURRED *N.A.*

We are looking forward for valuable order.

M/s Shree Shyam Trading Company



Dilip Singh
MOB- 8740020215

GST: 18% Extra

100% After receipt of material.

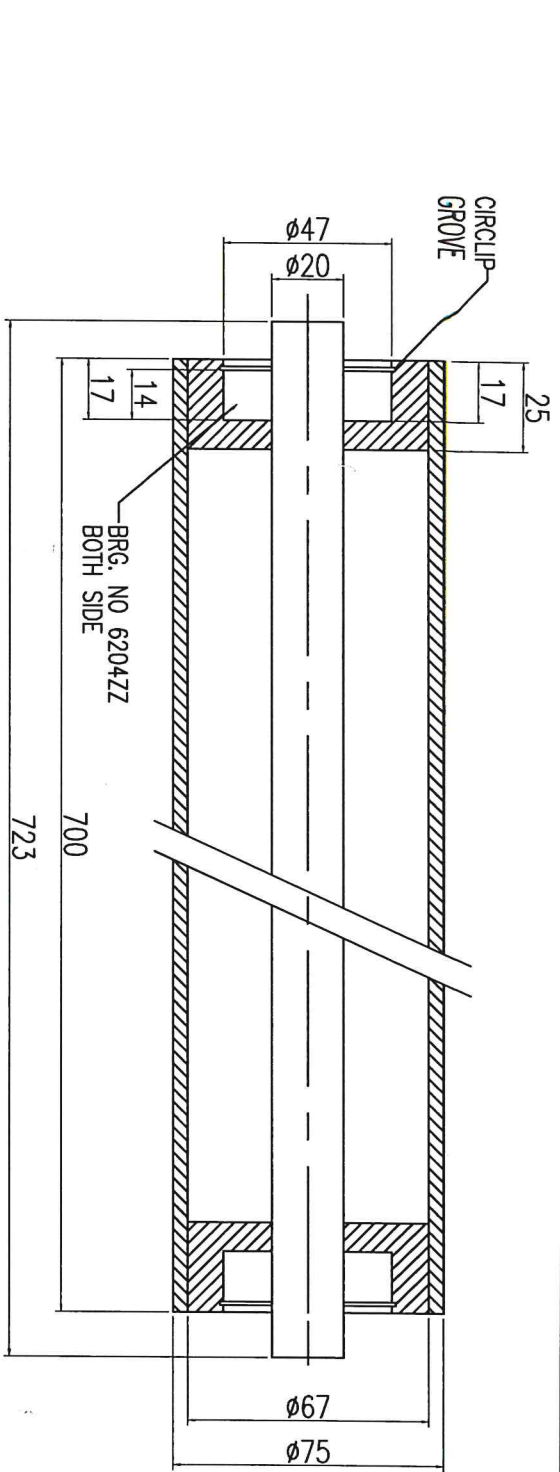
FOR-JAL BWP.

10 days

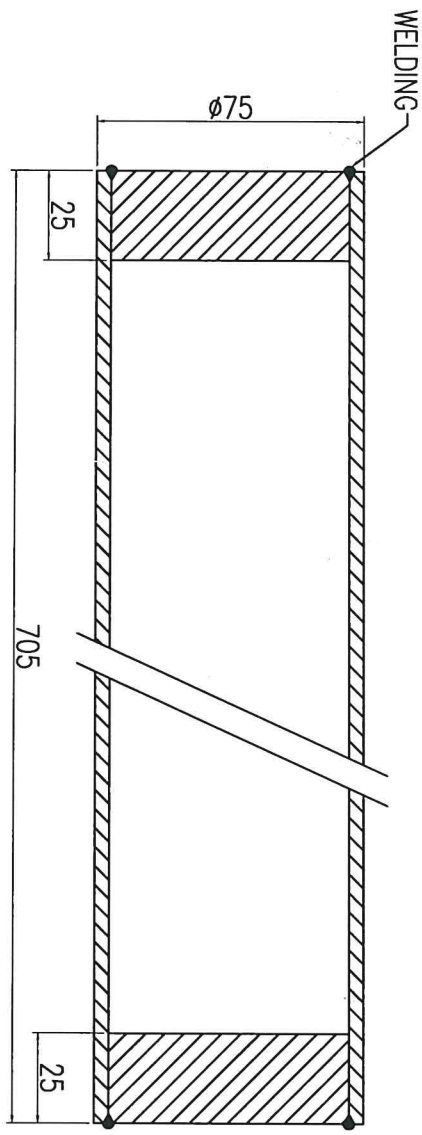
10 days

10 days

*Discussed with
Mr-Dilip and agreed
above rate
Dilip
20/04/22*



AFTER MACHINING

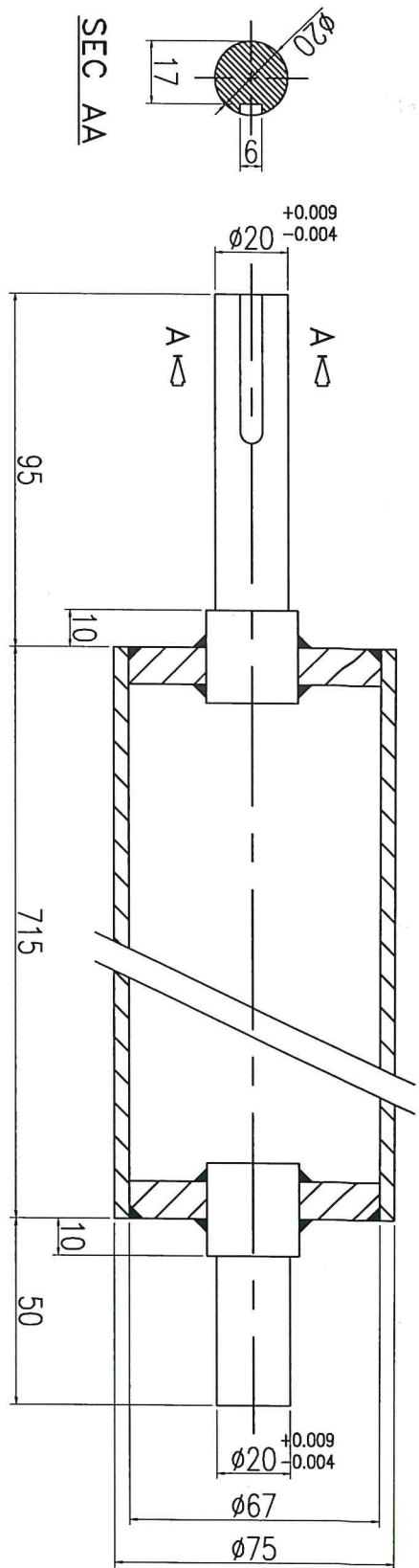


BEFORE MACHINING

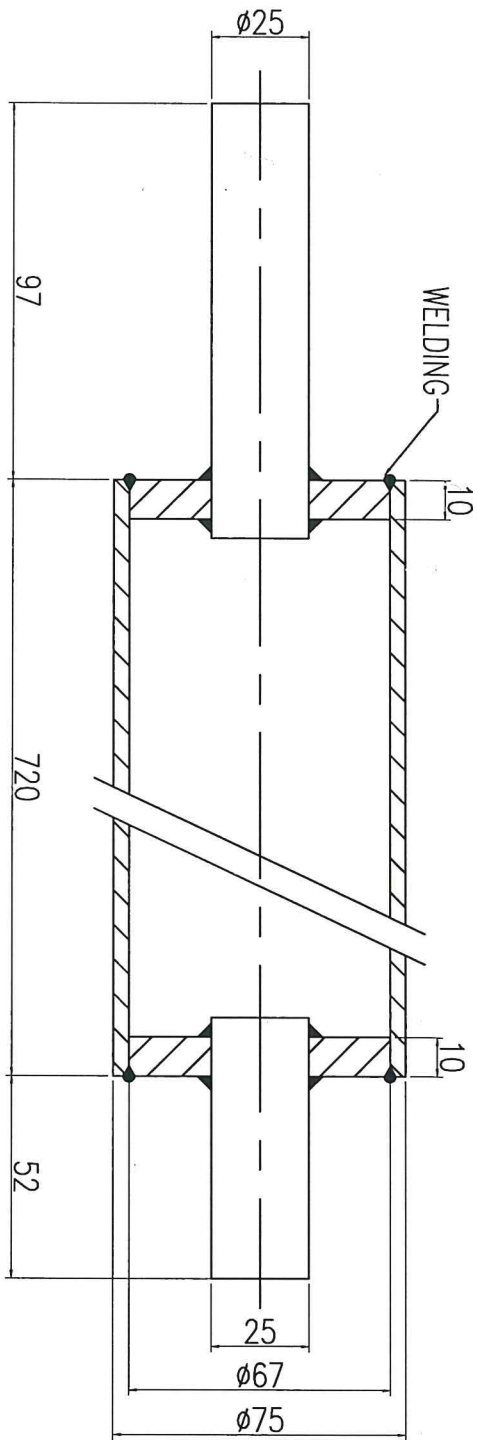
<p>JINDAL ALUMINIUM LTD. SP-2/333, INDUSTRIAL AREA, BHIWADI, RAJASTHAN-301019</p>		NAME	DATE
		DRN. VIKAS	31.03.22
<p>ALL DIMENSIONS ARE IN mm., UNLESS OTHERWISE SPECIFIED</p>		CKD.	
<p>SCALE 1:1</p>		APPD.	
<p>IDLER ROLLER FOR FINISH SAW CONVEYOR BP1 PRESS</p>		DRAWING NO.	
<p>APPS-BP1-06-A3</p>			



SEC AA



AFTER MACHINING



BEFORE MACHINING

JINDAL ALUMINIUM LTD.
 SP-2/333, INDUSTRIAL AREA,
 BHIWADI, RAJASTHAN-301019

ALL DIMENSIONS ARE IN mm., UNLESS OTHERWISE SPECIFIED

SCALE
 1:1

DRIVE ROLLER FOR FINISH
 SAW CONVEYOR BP1 PRESS

NAME	DATE
DRN. VIKAS	01.04.22
CKD.	
APPD.	

DRAWING NO.
 APS-BP1-07-A3