


W0220200124

DIE RING
HDR 009

RM- Gears
Finish- 20 yrs OPPT
Sect- 34 @ 40/- 1360
HT- 26 pct 65 = 1690
100 990

 **Indian Global Sourcing Industries**
 Factory at J-1265 C Industrial Area Phase-V Bhiwadi Rajasthan India
 GSTIN-08B NWPS3197L1ZS
 mail at- vipin@indianglobal.co.in, saurabh.srivastava@indiantrading.in
 Mobile-+91 7268087854, 9811600164

QUOTATION

To,		Quotation No.	212202929
M/s	Jindal aluminium LTD Bhiwadi	Date	17.02.22
		Contact Person	Mr Vipin Tiwari
		Contact No	+91 7268087854
		Ref. No	As Per Discussion as on

Kind Attn: Mr. Rajgopal
Sir,

We are pleased to quote our lowest possible rate for your perusal & consideration

Sr. No.	Particulars	HSN Code	Price/Unit	MOQ/Pcs	Net Rate
	DIE RING NO 009 (HDR 009-A3)	8207	11,200.00	3	33,600.00
	Gross Total		-	0	-
	Terms Of Delivery				INR 33,600.00

Tax- Validity Inspection Transport Delivery- Payment:-	All Tax Extra As Applicable 15-days As Per Requirement As Actual 2-4 Week 1 Week
---	---

Rs. 6000/-
Each.

1- ONLY JOB WORK	Authorised Sign Saurabh Srivastava
2- MATERIAL PROVIDE JINDAL	
3-	
4-	

ORDER LIST

ACCOUNTED Rate as above

_____ Paid

_____ INCLUDED _____ EXTRA

_____ N.A.

_____ INCLUDED _____ EXTRA

_____ GST: 18% Extra

_____ 15 day from the date of receipt of material

_____ FER- JAL BWP.

_____ DELIVERY: One week

Discussed with
Mr Vipin and agreed
above rate
(Signature)
17/02/22

Sri Karthik Enterprises

#12,13, 5th Cross, Abbigere, Near KEB Office,
Lakshmipura Main Road, Bangalore- 560090.
Mob : 9945019887 Email : srikarthikenterprises@gmail.com

QUOTATION

TO

M/s. JINDAL ALUMINIUM Ltd.
tumukur road, Bangalore -562111

Quotation NO: **173 /21-22**

Date: 16/02/2022

V.C. S02463

KIND ATTN: Mr. Rajgopal

For **LABOUR**

Work

Dear Sir,

With reference to your letter /enquiry No

dated

We have pleasure to submit herewith our lowest quotation.

SLNO	Item Description	HSN / SAC Code	Unit	Qty.	Rate (in Rs.)	Amount
1	HDR-009 Die ring		Nos	3	6820.00	20460.00
	Inc of Vaccum heat treatment .				Rs. 6300/-	
	Transport to jal Bangalore					

CHECK LIST

Rate as above
Encl

RUPEES .twenty thousand four hundred and sixty only

N.A

TOTAL

20460.00

***Excluding of GST**

- *Payment Against delivery..
- *Delivery 4 weeks from date of material received
- *Validity 30 days from above offer

Discussed with Mr. Karthik and agreed above

PAYMENT TERM: 30 days credit
FOR JAL B'lore
Approx for JAL Rs. 450/- Encl

We look forward in receiving your valuable order which will have our immediate attention.
Thanking you and assuring of our best and prompt services at all times.

Our GSTIN : 29AXBPK3214G1ZR

One week

For Sri. Karthik Enterprises

Authorized Signatory



Jindal Aluminium

Rajgopal C. Sarda <rajgopal@jindalaluminium.com>

Fwd: HDR-009

1 message

Jitendra Narain Rai . <jnrai@jindalaluminium.com>
To: "Rajgopal C. Sarda" <rajgopal@jindalaluminium.com>

Thu, Feb 17, 2022 at 10:35 AM

In house tooling cost is 22000/- Rs. with die steel.

*Steel Rate considered
Rs. 220/- per kg.*

Best Regards

J.N.Rai

Sr.Manager - Tool-Shop

M: +91-9611195330

*weight of each die ring
60 kg each die ring*



www.JindalAluminium.com

----- Forwarded message -----

From: **Jitendra Narain Rai** . <jnrai@jindalaluminium.com>

Date: Thu, Feb 17, 2022 at 10:21 AM

Subject: Fwd: HDR-009

To: Bhiwadi Purchase <purchase.bhiwadi@jindalaluminium.com>

Cc: Rajgopal C. Sarda <rajgopal@jindalaluminium.com>, Devendra Sain <dsain@jindalaluminium.com>, Rajendra Parsad Jaiswal <rajendrprasad.jaiswal@jindalaluminium.com>, Brijesh Kumar <brijesh@jindalaluminium.com>

Dear Rupesh

We required 3 nos HDr-009 die ring for our BP-3 press on urgent basis.Please arrange to get it full finished condition from job work party.Die steel provided by us.

Best Regards

J.N.Rai

Sr.Manager - Tool-Shop

M: +91-9611195330



www.JindalAluminium.com

----- Forwarded message -----

From: **Toolshop - Bhiwadi** . <toolshop.bhiwadi@jindalaluminium.com>

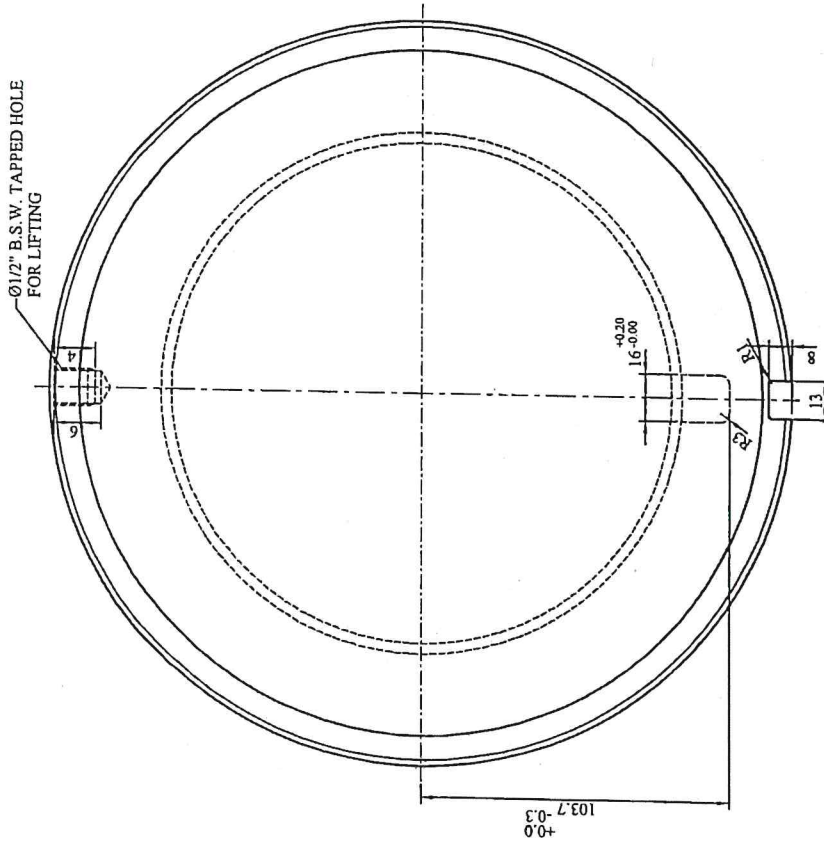
Date: Thu, Feb 17, 2022 at 9:56 AM

Subject: HDR-009

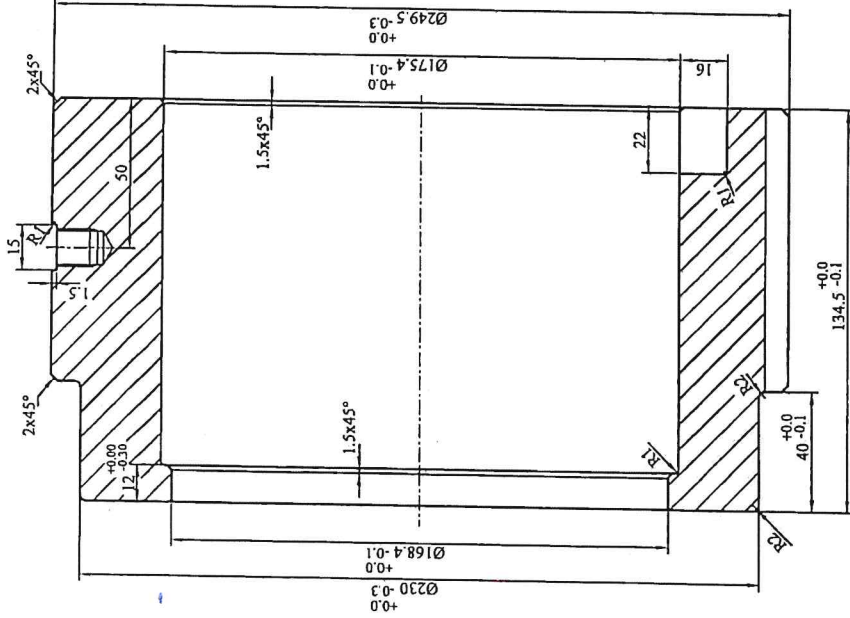
To: <purchase.bhiwadi@jindalaluminium.com>

Cc: Jitendra Narain Rai <jnrai@jindalaluminium.com>

SIR,
PLEASE FIND ATTACHED DRAWINGS AS PER YOUR REQUIRED HDR-009



weight of die ring - 60 kg
Raw material.



NOTE:-

- MATERIAL:- H-13
- ALL OVER VV
- GENERAL TOLERANCES:- ±0.30
- STRAIGHTNESS, PARALLELISM, PERPENDICULARITY, CONCENTRICITY & COAXIALITY SHOULD BE WITHIN 0.05 mm.
- COMPONENT SHOULD BE FREE FROM TOOL MARKS
- HARDNESS :- 48-52 RC

Ø175x135 THICK DIES

1100 TON PRESS (IP-3)

JINDAL ALUMINIUM LTD.		NAME	DATE
BHIWADI (RAJASTHAN)-301019		DRAWN	03-02-2021
ALL DIMENSIONS ARE IN mm., UNLESS OTHERWISE SPECIFIED		CHECKED	
SCALE 1:1		APPROVED	
DIE RING NO. 009 (FOR ø132 mm. CONTAINER)		DRAWING NO.	
		HDR-009-A3	