



Jindal Aluminium Limited

+91-80-2371-5555
+91-80-2371-3333
info@jindalaluminium.com
www.jindalaluminium.com
Jindal Nagar, Tumkur Road, Bengaluru-560073
CIN : U27203KA 1970PLC002806

PURCHASE / WORK ORDER

JAL/BP/PO/2021-22/00110

15.01.2022

M/s. SHREE MEENAKSHI POLYMERS.,
4/27, SITE - II (AJANTA) UPSIDC LONI ROAD,
MOHAN NAGAR,
GHAZIABAD - 201007.
TEL NO. 09811430778.
GSTIN: 09AEJPJ2272C1ZP

Indent no

DI 220400126

DI 220600132

Kind attn : Mr. Neeraj Jain.

Dear Sir,

Sub: Order for supply of Nylon Channels as per drawing.

With reference to your quotation and subsequent to the discussions had with you, we are pleased to place our order on you for supply of the following item as per the price, terms and conditions indicated below :

SR. NO.	DESCRIPTION	UOM	QTY	Rate	Amount
1	PULLER CHAIN NYLON GUIDE BRACKET AS PER DRG NO EPM-2000-002-A4/R1 PART NO-01 - 6130 MM LONG	36	NOS	4550.00	1,63,800.00
(Amount : Rupees One Lacks Sixty Three Thousand Eight Hundred Only)					1,63,800.00

Other terms and conditions :

- 01) Price basis : FOR - Jindal - Bhiwadi Plant
- 02) Delivery Time : Strictly on. 23.01.22.
- 03) Payment terms : 100% AFTER RECEIPT AND ACCEPTANCE OF MATERIAL
- 04) IGST : 18% Extra or as applicable at the time of dispatch
- 05) Note : Billing and Shipping details.

*Rs. 4500/-
Each*

Billing and delivery address :
M/s. Jindal Aluminium Limited.,
SP-2/333, Industrial Area,
Bhiwadi Dist, Alwar, (Rajasthan) - 301019.
GST No. 08AAACJ4324M1ZH

Please execute our order immediately.

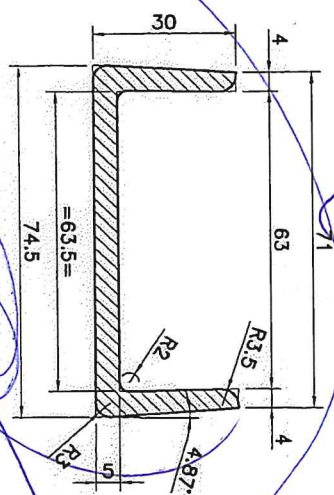
Thanking you,

Yours faithfully,

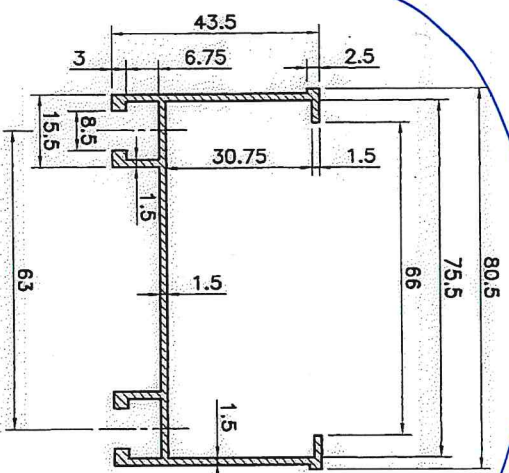
For : JINDAL ALUMINIUM LIMITED,

DHIRAJ SINGH.
VICE PRESIDENT - COMMERCIAL

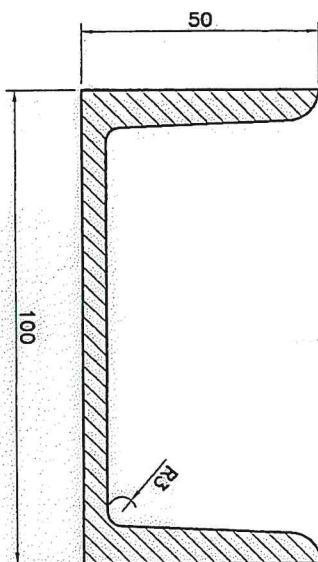
*Disputed with
Mr. Neeraj Jain and
agent above rate*
[Signature]
26/01/22



PART NO.01, 6130Lg.
MATERIAL: NYLON

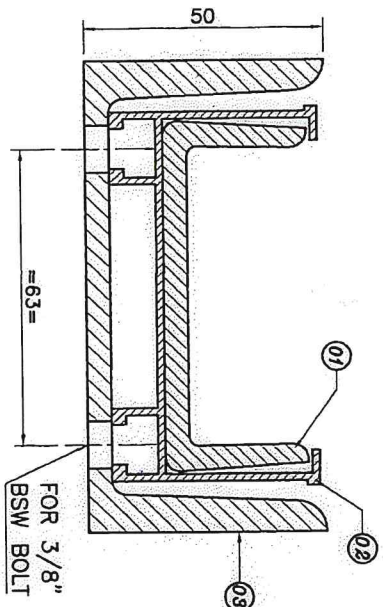


PART NO.02, 6130Lg.
MATERIAL: ALUMINIUM 6063

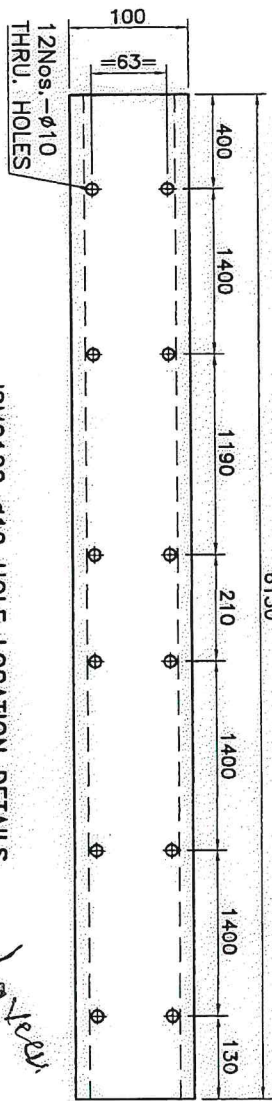


PART NO.03, ISMC100
6130Lg.
MATERIAL: M.S.

NOTE: STANDARD ROOT RADIUS 9mm HAS TO BE MACHINED TO 3mm



ASSEMBLY



ISMC100 ϕ 10 HOLE LOCATION DETAILS
SHRUNK VIEW

Handwritten signature

<p>JINDAL ALUMINIUM LTD. BANGALORE-560073</p>		<p>SCALE 1:5</p>		<p>PULLER CHAIN GUIDE BRACKET - P3 PRESS</p>	
<p>ALL DIMENSIONS ARE IN mm., UNLESS OTHERWISE SPECIFIED</p>				<p>DRAWING NO. EPM-2000-002-A4/R1</p>	
DRN.	NAME	DATE	CKD.	APPD.	
I KAUSHIK		25-08-16			

Item CD & Description Party Name	Unit Rate Rs.Ps	Disc	PF	IGST	CGST	SGST	Freight	Others	Brand	Total Unit Price	Gross Amt Rs	Input Tax Cr Rs	Material Inv Charge	Net Amt Rs Ps	Delivery Days
-------------------------------------	--------------------	------	----	------	------	------	---------	--------	-------	---------------------	-----------------	--------------------	------------------------	------------------	------------------

Indent No: DI201203126
 Date: 12/24/2020
 1 06641612 MECH. MAINTENANCE
 Last Party: SHREE MEENAKSHI POLYMERS.
 PULLER CHAIN NYLON GUIDE BRACKET AS PER DRG NO EPM-2000-002-A4/R1 PART NO-01 LENGTH OF EACH NYLON GUIDE SHOULD BE 6130 MM AND NYLON PIECE SHOULD BE SIDING FIT WITH ITS MATCHING PART I.E PART NO.2 OF DRAWING EPM-2000-002-A4/R1.

SHREE MEENAKSHI POLYMERS.	4800.00			18.00%	0.00%	0.00%	0.00			5664.00	56640.00	8640.00	4800(LAST 4/10/2021 Unit: NOS	48000.00	30
SWAGATH URETHANE PVT LTD	17010.00	5.00%		18.00%	0.00%	0.00%	0.00			19068.2	190682.10	29087.10		161595.00	84

Party Code & Name: Payment Terms: Price Basis: Other Condition:

S0869 SWAGATH URETHANE PVT LTD 30 DAYS AFTER RECEIPT OF MATERIAL Ex Works- by Please book the material through TCI/ ARC Transport at Melemangala/ Peenya Bangalore godown , freight to be billed on JINDL basis.

S2813 SHREE MEENAKSHI POLYMERS. 100% AFTER RECEIPT & ACCEPTANCE OF THE MATERIAL F.O.R Jindal Works Bangalore- by TO BE DELIVERED BY YOU

Prepared By

Verified By

Approved By

Remarks

Tech Dept Comment

USER NAME	APPROVER REMARKS
PURCHASE	for approval
VIJAY KUMAR SINGH	Checked
SEETHA RAMAN N	FOR TECH. APPROVAL, SHALL WE INCREASE THE QUANTITY
Mriduljyoti B M	Approved
PURCHASE	ok

SUPPLIER NAME TECHNICAL REMARK

SHREE MEENAKSHI POLYMERS
SWAGATH URETHANE PVT LTD