

EN 220600244



sealwell (P) Ltd.

295/1, 4th Phase, 8th Cross, Peenya, Industrial Area, Bangalore - 560 058.
 : +91 80 28374181, 28374182 : 8226967859 : sealwell1123@yahoo.com : sealwellindia.com

QUOTATION

To,	QUOTATION NO:	O/5888 Dt : 06/06/2022
JINDAL ALUMINIUM LIMITED,	YOUR ENQ REFF:	EN220600244
(Bhiwadi division)	GST NO	29AAECS2296K1ZT

Dear S
 This is with reference to your enquiry, we are pleased to submit our offer, hope this is in line with your requirement, and looking forward to receiving your valuable order..

Sl.No	DESCRIPTION	MATERIAL	HSN CODE	QTY Nos	RATE Each	PRICE
1	SEAL KIT FOR BANDSAW MACHINE UP-DOWN HYDRAULIC CYLINDER AS PER DRG NO. BP-TR-01-A3.		40169320	2	1,270.00	2,540.00
					Discount 15%	381.00
					Amount	2,159.00
					GST 18%	388.62
					Total Amount	2,547.62

TERMS & CONDITIONS;

Courier charges extra Rs 200/-
 Quotation Validity - 1 week

BANK DETAILS :-

SEAL WELL (P) LTD
 ICICI BANK
 PEENYA BRANCH
 IFSC Code : ICIC0001935
 A/C NO : 193505001135

CHECK LIST

COUNT: 107950/ each

~~INCLUDED~~ EXTRA

~~N.A.~~ EXTRA

EST: 18% Extra

TERM: 30 days

Approx Freight: EX-works

NIL

One week

For Sealwell (P) Ltd
 Authorized signatory
 Sealwell (P) Ltd
 Bangalore
 Non-Signatory and not to be used with...
 06/06/22

Quotation

GST No.: 27AADCS6349E1Z9

MSL/OQT/304425
Date: 08/06/2022

Customer Code : **CJ680**

M/S: JINDAL ALUMINIUM LIMITED - ALWAR

Enquiry No : **EN220600244**

Date : 08/06/2022

Kind Attention : Mr.Rajgopal C. Sarda

Designation : Asst.Manager Purchase

Sl.	Description	Profile	Delivery	Qty	Price	Discount	Amount
1	CODE : 06300362 DI220200643 SEAL KIT FOR BAND SAW MACHINE UP-DOWN HYD. CYLINDER CONSISTING OF : HSN: 4016.93.30	SEAL KIT	2 Days	2 Sets	2434.00	40 %	2920.80
2	PISTON SEAL AS PER DRG NO.BP-TR-01-A3, MAKE : MAX SPARE (S) 47.00 X 63.00 X 18.40/31.10 Material: NBR	P52 Part No: P520470901	--	1 No	0.00	0 %	0.00
3	WIPER CUM ROD SEAL AS PER DRG NO.BP-TR-01-A3, MAKE : MAX SPARE (M) 45 X 55 X 6/9 Material: PU	WIPER CUM ROD SEAL	--	1 No	0.00	0 %	0.00
4	ROD SEAL AS PER DRG NO.BP-TR-01-A3, MAKE : MAX SPARE (M) 45 X 55 X 6 Material: PU	ROD SEAL	--	1 No	0.00	0 %	0.00
							2920.80

Payment Terms : 100% Advance along with Purchase Order

Delivery Terms : F.O.R. Thane

Freight Charges : Extra at actual

GST Extra : 1) HSN : 4016.93.30 @ 18%

Remarks :

Bank Details

Name : KOTAK MAHINDRA BANK

Account No : 7111796440 (CC A/C)

IFSC NO : KKBK0001353

Prepared By : PPL

Subject To Mumbai Jurisdiction

CHECK LIST

DISCOUNT: *ed Rate as above*

DEF : ~~INCLUDED~~ / EXTRA *Incl*

EXR : ~~INCLUDED~~ / EXTRA *N/A*

GST/EST/VAT *7.95/18/ Extra*

PAYMENT TERM: *30 days credit*

COALBENGALURU *FOR - JAL BND*

QUANTITE *Nil*

DELIVERY *one week*

VALIDITY *→*

Discussed with Mr. Mohan and not agreed to increase discount.

(Signature)
08/06/22

For Max Spare Ltd

Mohan Shetty

Sr. Manager - CR - North Zone

Mob.: +91 98 2031 0779

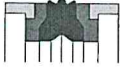
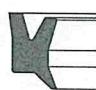





Manufacturer of Seals for Hydraulic, Pneumatic and Rotary applications
 T : +91-22-25800972 | E : sales@spareage.in | W : www.spareage.in

QUOTATION

To, PURCHASE DEPARTMENT JINDAL ALUMINIUM LIMITED BHIWADI DIVISION, SP-2/333, INDUSTRIAL AREA,ALWAR DIST,(RAJASTHAN) 301019 BHIWADI, Rajasthan, India E : purchase.bhiwadi@jindalaluminium.com T :	Customer Code : CJ469 Enquiry Ref. : EN220600244 Date : 06-06-2022 Quotation No. : 1581 / 22-23 Quotation Date : 06-06-2022 Validity : 30 Days Contact Person : Anshul Tiwari
---	---

No.	Description	Material	Profile	Spareage Eqvl. Type	HSN	Dev. Cost	Per Piece	Qty	Total	Delivery
1	06300362 SEAL FOR BANDSAW MACHINE UP-DOWN HYD CYL		AS PER KIT		40169330		₹5608.00	2	₹11216.00	18 Days
2	PISTON SEAL 46.50 X 63 X 30 MM	NBR 75-80 SHORE + RED CPU + CAL		C5P	84879000		₹0.00	1	₹ 0.00	
3	WIPER CUM ROD SEAL 44 X 56 X 6/9 MM	RED CPU		W5	84879000		₹0.00	1	₹ 0.00	
4	ROD SEAL 44.50 X 56 X 6 MM	RED CPU		UA1	84879000		₹0.00	1	₹ 0.00	

Front
 Price
 Discussed with
 Mr. Anshul and det
 by send to create
 price further
 08/06/22

CHECK LIST

DISCOUNT: ed Rate ready

DEF : INCLUDED / EXTRA

FOR : N.A. / INCLUDED / EXTRA

GST (OPT/VA): 18% Extra

DELIVERY TERM: 30 days credit

FOR DELIVERY: FOR-JAL BWP

GUARANTEED: NIL

WARRANTY: 3 weeks

Dev. Cost : One time cost for making a new mould. This cost will not be charged again in the repeat order.

Suggested by Spareage

Alt. Type : An alternate Interchangeable Seal Profile (Type) available in the same size.

Alt. Qty : Suitable quantity for optimum price offered in the same Seal Profile (Type).

Suggested options to be confirmed by the user for the application

Opt. Type : An alternate Seal Profile (Type) available in the same size.

Alt. Size : Nearest size available in the same/alternate Seal Profile (Type).

Express Production : The product shall be manufactured overnight and be ready for despatch the next morning + applicable delivery time.

Payment Term : 30 DAYS CREDIT

Delivery Term : EX-WORKS

- Remarks :**
- 1) GST EXTRA - HSN CODE : 40169330 GST 18% 84879000 : GST 18%
 - 2) 2% PACKING CHARGES WILL BE EXTRA.
 - 3) SUBJECT TO MUMBAI JURISDICTION.
 - 4) FREIGHT CHARGES EXTRA AT ACTUAL.
 - 5) COUNTRY OF ORIGIN: INDIA.





SEAL-WINGS
SEALING TECHNOLOGY PVT. LTD.

Seal Wings Sealing Technology Pvt. Ltd.

#V-7, 1st A Main, 2nd Stage Peenya Industrial Estate Bangalore (Karnataka) - 560091, India

Cont. No.: 080 43712692, Email: bangaloresales@seal-wings.com,

Web: www.seal-wings.com

Sales Quotation

Quotation For,

JINDAL ALUMINIUM LTD (B)

SP-2/333,INDUSTRIAL AREA

BHIWADI

BHIWADI (RAJASTHAN) - 301019

INDIA

Quotation # : 381/22

Quotation Date : 07-06-2022

Reference No. : EN220600244

Reference Date : 07-06-2022

Kindly Attention : MR

#	Description	HSN Code	Item Code	Qty	UOM	Rate	Discount Amount	Taxable Rate	Amount
1	SEAL KIT FOR BANDSAW MACHINE UP-DOWN HYDRAULIC CYLINDER AS PER DRG NO. BP-TR-01-A3,,	40169330		2	SET	1230.00	0.00	1230.00	2460.00

CHECK LIST

DISCOUNT: *ed Rate as above*

PIF : INCLUDED *Incl* / EXTRA

EX : INCLUDED *N.A.* / EXTRA

CORRECTION: *IGST: 18% Extra*

PAYMENT TERM: *30 days Credit*

FOR DELIVERY: *FOR-JAL BWD.*

GUARANTEE: *Nil*

DELIVERY: *to days*

VALIDITY: _____

*Discussed with
Mr. Prafw and Mr. Ganesha
to reduce price
further*

*(Signature)
07/06/22*

Sub Total	2,460.00
Courier Charges	350.00
Total Taxable Amount	2,810.00

Note:

Company's Bank Details,

Bank Name : ICICI Bank Ltd., Bank Name : Peenya Industrial Area, Bangalore - 560058

Branch Name : ICIC0001935, Account No. : 193505000425

Terms & Conditions,

CGST: 0.00 %

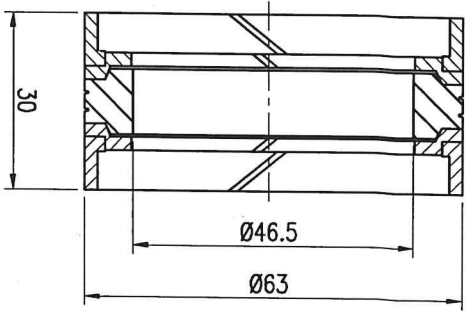
Delivery: 3 Day(s)

SGST: 0.00 %

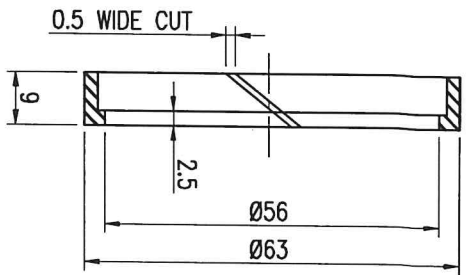
Validity: 30 Day(s)

IGST: 18.00 %

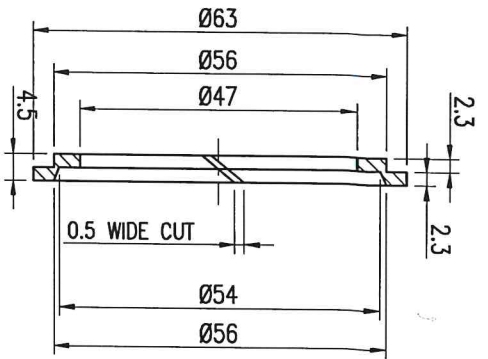
Payment: 30 Day(s)



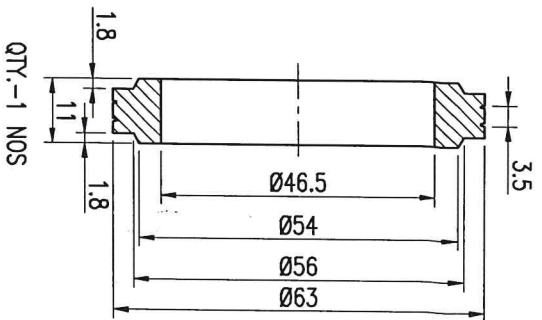
PISTON SEAL SET
ASSEMBLY VIEW



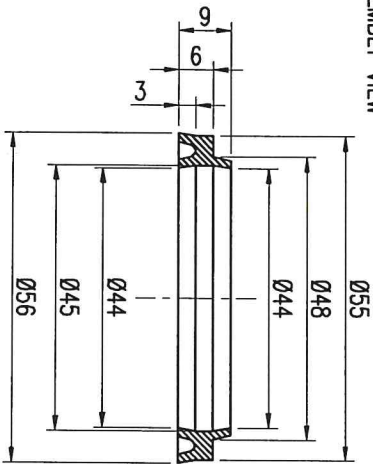
QTY.-2 NOS



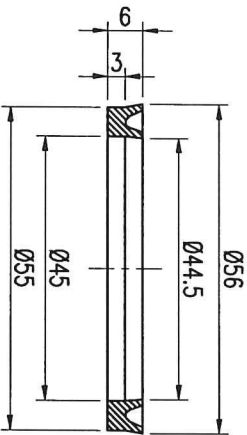
QTY.-2 NOS



QTY.-1 NOS



WIPER CUM ROD SEAL




ROD SEAL

MATERIAL:-POLYURETHANE

HYDRAULIC CYLINDER Series HCK
BORE-63 mm ROD-45 mm ST.-325mm
MOUNTING -RF MAX.PR.-175

<p>JINDAL ALUMINIUM LTD. SP-2/333, INDUSTRIAL AREA, BHITWADI, RAJASTHAN-301019</p>		NAME	DATE
		DRN. VIKAS	17.01.22
<p>ALL DIMENSIONS ARE IN mm., UNLESS OTHERWISE SPECIFIED</p>		CKD.	
		APPD.	
SCALE 1:1	<p>SEAL KIT FOR BAND SAW MACHINE UP-DOWN HYD. CYLINDER</p>		DRAWING NO. BP-TR-01-A3

 MANUFACTURES OF ALUMINIUM EXTRUSIONS		JINDAL ALUMINIUM LIMITED DOC NO. : JAL/PUR/F/01 BHIWADI DIVISION SP-2/333, RICCO INDUSTRIAL AREA, BHIWADI, ALWAR-301019, BHIWADI BHIWADI, PINCODE- 301019, RAJASTHAN, INDIA PHONE : 9611195368, 9657407027 EMAIL : purchase.bhiwadi@jindalaluminium.com WEBSITE : www.jindalaluminium.com		
VENDOR	CODE	V5064	CTN: 0272033X1970PLC002806 GST: 08AAACJ4324H12H	
V R ENGINEERING PINE 806, COSMOS GREENS, BHIWADI ALWAR BYPASS, ALWAR BHIWADI RAJASTHAN Ph.No :		ENQUIRY NO. : EN220600244 DATE : 06/04/2022 DUE ON : Immediate TERMS :		
Dear Sirs, Please submit your most competitive quotation for the supply of following items as per the terms and conditions given below and printed overleaf				
SR. NO.	MATERIAL CODE	MATERIAL DESCRIPTION / SPECIFICATION	ESTIMATED REQUIREMENT	UNIT
1	06300362	DI220200643 - 02-FEB-22 SEAL KIT FOR BANDSAW MACHINE UP-DOWN HYDRAULIC CYLINDER AS PER DRG NO. BP-TR-01-A3,,	2.00	NOS
Note 1) YOU HAVE TO DELIVER THE MATERIAL AS PER YOUR COMMITTED DATE OF DELIVERY AT OUR WORKS FAILING WHICH 2% PENALTY PER WEEK WILL BE DEPENDING UPON THE COMMODITY / URGENCY OF THE MATERIAL. HENCE, INDICATE DELIVERY PERIOD. 2) IN CASE, YOU ARE NOT ABLE TO SUPPLY THE MATERIAL ON OR BEFORE THE DUE DATE WE ARE EMPOWERED TO DIVERT / CANCEL OUR ORDER TO OTHER SUITABLE VENDOR AT THE PREVAILING RATE IN THE MARKET AND THE PRICE DIFFERENCE IF ANY WILL BE DEBITED TO YOUR ACCOUNT. Please provide Service Tax/TIN Registration No./Certificate. We are releasing our payment through bank hence provide the details of RTGS/NEFT/MICR/BANK ACCOUNT NO.				
NOTE: PLEASE SUBMIT THE QUOTATION IN TWO PAGES, ONE CONSISTING TECHNICAL SPECIFICATION AND OTHER PAGE COMMERCIAL ASPECTS				

IMPORTANT

- Please furnish the following information :
 (a) Terms of prices : F. O. R. Our Works/F.O.R. (b) Quantity / Cash Discount (c) Delivery Schedule
 Despatching Station / Ex Works
 (d) Validity of Quotation (e) Payment terms (f) Taxes & Govt. Levies
- Samples, Catalogue, leaflets, if any, should be sent along with the quotation.
- If Excise Duty is applicable your will have to furnish invoice in prescribed format all the details, also inform your registration no with central excise dept. Confirmation to this effect should be indicated in the quotation. Please mention the central excise Tariff
- Test Certificate to be furnished wherever required
- Guarantee / Warranty to be indicated clearly
- Your immediate action is requested.

Yours Faithfully,
For JINDAL ALUMINIUM LTD.

Thanking you,

Purchase Manager

TERMS & CONDITIONS

- This quotation and any order resulting from this enquiry shall be governed by our terms and conditions of contract and the supplier quoting against this enquiry shall be deemed to have read and understood the same.
Where counter terms and conditions of business have been offered by the supplier, we shall not be deemed to be governed by those unless our specific written acceptance thereof has been given.
No condition and terms notice of which has not been given by the supplier while submitting quotation will be considered by us if forwarded in subsequent correspondence.
- Rates quoted should remain firm till completion of supplies if ordered. No revision in prices will be entertained once the quotation is accepted.
- Specification: Material should be offered strictly conforming to our specification. The deviation in specification, if any, should be clearly indicated by the supplier in his quotation. The supplier should also indicate Mark / Type No. of the material offered.
- Material, on its arrival at our Factory, will be inspected and will be rejected if found defective / damaged / unsuitable / not conforming to specifications:
- For material or weightment type, weightments made at our weighing scales will be final and considered for payments.
- In case an order placed by the company based on the quotation submitted by the suppliers not executed by them in time, the company may buy the ordered goods from elsewhere and recover the additional amount, the company may have to spend in procuring the material, plus 10% to cover the incidental expenses.
- Quantities mentioned are only approximate and are subject to variation at the time of placing the order. It is understood that your quotation holds good for any fluctuations in quantities.
- State Tax: No sales tax and / or other tax shall be payable by us unless the same is specifically mentioned by the suppliers in their quotation, and the same is legally leviable. Our KST No. is 10000392 dated 1.4.1973, CST No.10050395 dt. 1.4.1973 & TIN: 29620058356.
- Payment: Payment for accepted quantity will be made within 30 days from the date of receipt of material and bills or at 30 days sight. Discount, if any, for early payment should be clearly stated.
- Validity: The quotation should remain valid for a minimum period of 60 days from the date of quotation.
- All disputes arising in connection with executing the purchase order will be subject to the jurisdiction of the courts of Bangalore only.