



Indian Global Sourcing Industries

Factory at J-1265 C Industrial Area Phase-V Bhiwadi Rajasthan India
GSTIN - 08BNWPS3197L1ZS
mail at- vipin@indianglobal.co.in, saurabh.srivastava@indiantrading.in
Mobile +91 7268087854, 9811600164

QUOTATION

To, M/s	Jindal aluminium LTD Bhiwadi	Quotation No.	212202938
		Date	30.04.22
		Contact Person	Mr Vipin Tiwari
		Contact No	+91 7268087854
		Ref. No	As Per Discussion as on

Kind Attn: Mr. Rajgopal
Sir,
We are pleased to quote our lowest possible rate for your perusal & consideration

Sr. No.	Particulars	HSN Code	Price/Unit	MOQ/Pcs	Net Rate
1	SOLID STEM FOR BOYONET TYPE DUMMY (BP3-1100-08-A3)	8207	1,43,000.00	1	1,43,000.00
2	DUMMY BLOCK (BAYONET TYPE BP3-1100-07-A3)	8207	52,000.00	3 P	1,56,000.00
3	STEM FOR BPT PRESS (177.8MM) AS PER DRG. NO. BP1-1650-17-A2	8207	3,90,000.00	1	3,90,000.00
4	BAYONET TYPE DUMMY BLOCK FOR P-1 PRESS AS PER DRG. NO. BP1-1650-01-A1	8207	76,000.00	3 P	2,28,000.00
5	SOLID STEM FOR P-4 PRESS AS PER DRG. NO. BP1-1650-02-A3-1 No	8207	4,90,000.00	1	4,90,000.00
6	SEMI FINISH LINER FOR BP3 CONTAINER AS PER DRAWING NO BP3-1100-13-A2-1 No	8207	1,78,000.00	1	1,78,000.00
7	DUMMY BLOCK MOUNTING ROD FOR BP-3 STEM AS PER DRG. NO. BP3-1100-16-A3 PART NO. 2 - 1 No	8207	23,000.00	1	23,000.00
8	DUMMY BLOCK MOUNTING ROD WITH LOCKING NUT FOR BP4 STEM AS PER DRG. NO. BP4-2100-17-A3 - 1 No	8207	38,000.00	1	38,000.00
9	LOCKING NUT FOR DUMMY BLOCK MOUNTING ROD OF BP-3 STEM AS PER DRG. NO. BP3-1100-16-A3 PART NO. 1	8207	1,500.00	1	1,500.00
10	DUMMY FOR BP3 PRESS AS PER DRG. NO. BP3-1100-02-A3 - 3 Nos	8207	36,000.00	3 P	1,08,000.00
11	BP4-2100-02-A3-DUMMY BLOCK ASSLY Ø184.5 FOR BP4 PRESS	8207	58,000.00	3 P	1,74,000.00

Gross Total: INR 19,29,500.00

Terms Of Delivery		
Tax-Validity		
Inspection		
Transport		
Delivery-		
Payment:		

BN 220400097

Final Rate

1- ONLY JOB WORK	SLNO: (7) Rs. 12700/- = Rs. 12700/-	Authorised Sign Saurabh Srivastava
2- MATERIAL PROVIDE JAL	SLNO: (8) Rs. 19700/- = Rs. 19700/-	
3-	SLNO: (10) Rs. 1300/- = Rs. 1300/-	
4-		

Discussed with Mr. Vipin Tiwari and agreed above rates

CHECK LIST

DISCOUNTED Rates as above

Tax: INCL. EXTRA

ED: DISCOUNTED EXTRA

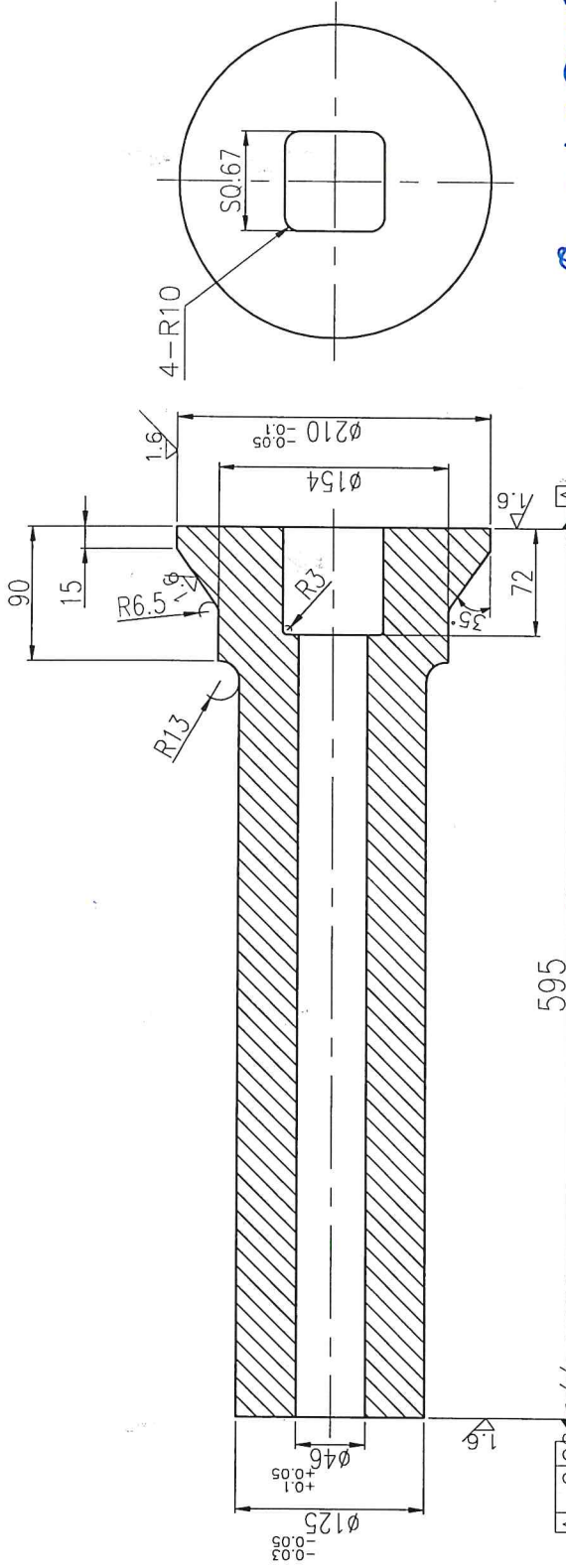
DELIVERY: 15/12/22

DELIVERY: 20 days credit

DELIVERY: FOR JAL BWP

DELIVERY: 30 days

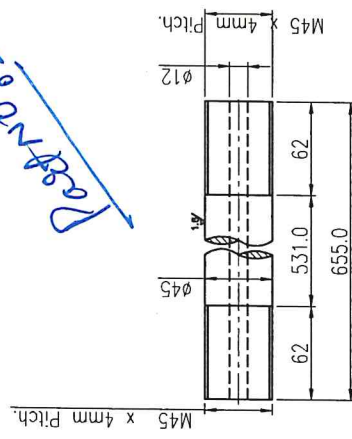
06/05/22



STEM PART-1

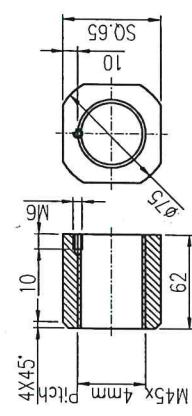
Profit
 MATERIAL :- H-13 (1.2344)
 HARDNESS - 48±1 HRC

Raw material - 6659 x 665 = 18 yrs @ 65/- = 4800/-
 off: 18 yrs @ 67/- = 2000/-
 machining = 6000/-
 = 11600/-
 = 1160/-
 = 12700/-



DUMMY MOUNTING PIN / Rod PART-2

06981063

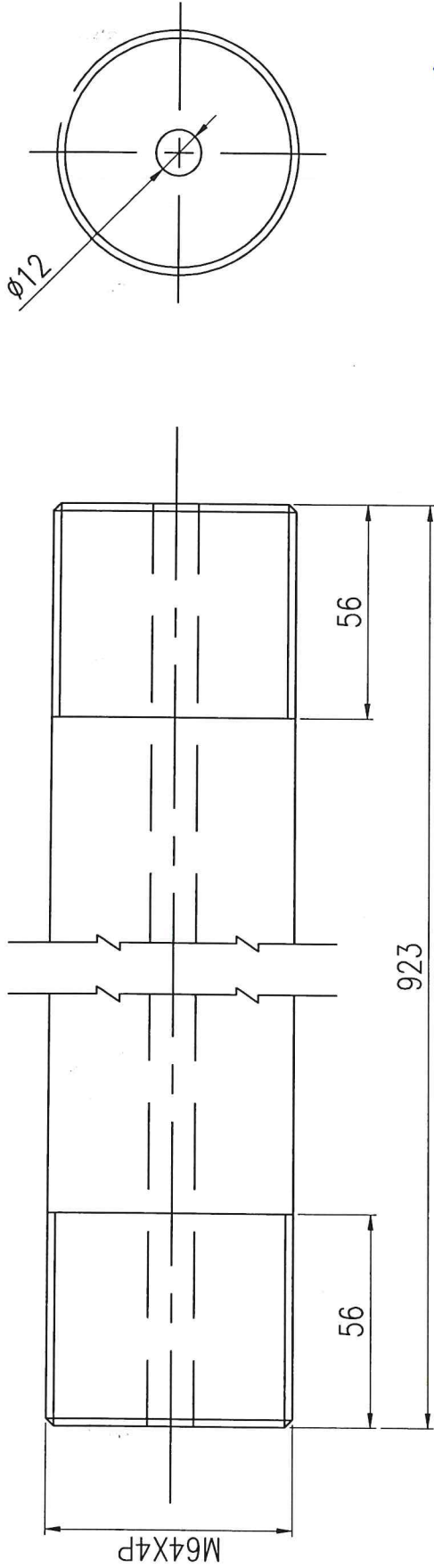


LOCKING NUT PART-3

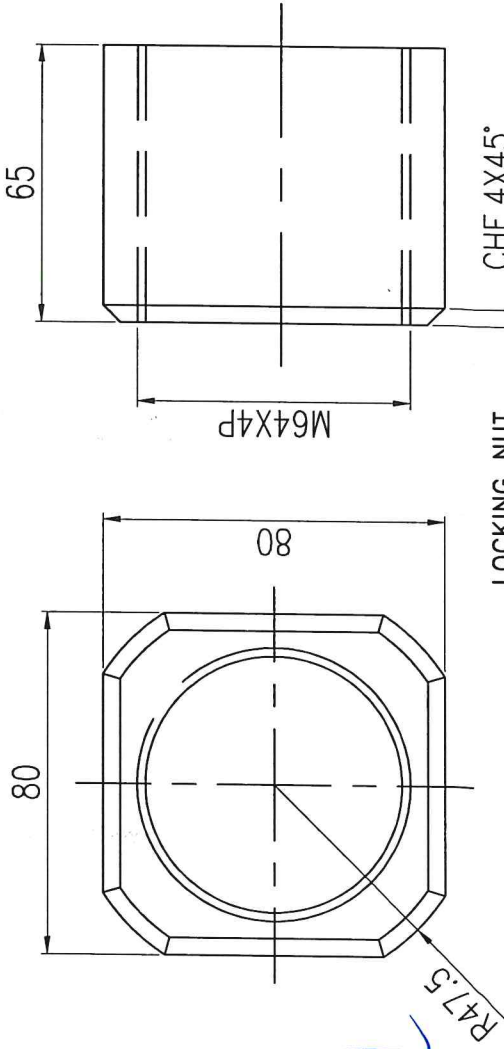
06981065

Rs. 1300/-
 Rs. 1200/-

JINDAL ALUMINIUM LTD. SP-2/333, INDUSTRIAL AREA, BHIWADI, RAJASTHAN-301019		NAME	DATE
ALL DIMENSIONS ARE IN mm., UNLESS OTHERWISE SPECIFIED		VIKAS	11.04.22
SCALE 1:1	DRAWING NO.	DRN.	CKD.
	BR3-1100-16-A3	APPD.	



DUMMY BLOCK MOUNTING ROD
PART-1



LOCKING NUT
PART-2

→ RM - 66 X 930 = 25 kg @ k.265 = 6625
 → secondary grey metal = 25000
 → machining = 800/-
 Profit: 10% with 10% margin
 17125/-
 17125/-
 18857/-
 Final Price
 Approved by
 Material :- H-13 (1.2344) 1000 gms
 HARDNESS - 48 ± 1° HRC 19-200
 19.10.2019

JINDAL ALUMINIUM LTD. SP-2/333, INDUSTRIAL AREA, BHIWADI, RAJASTHAN-301019		NAME VIKAS	DATE 10/04/22
ALL DIMENSIONS ARE IN mm., UNLESS OTHERWISE SPECIFIED		DRN.	APPD.
SCALE 1:1	DUMMY BLOCK MOUNTING ROD WITH LOCKING NUT FOR BP4 PRESS	CKD.	DRAWING NO. BP4-2100-17-A3

Lock nut
 10/04/22
 10/04/22



Jindal Aluminium

Rajgopal C. Sarda <rajgopal@jindalaluminium.com>

Re: Enquiry No:EN220400097Bhiwadi Division

1 message

Golden Engineering & Enterprises <golden.mondal@gmail.com>

Sat, Apr 23, 2022 at 5:13 PM

To: purchase.bhiwadi@jindalaluminium.com

Cc: rajgopa@jindalaluminium.com

Dear Sir,

Thank you for your valuable purchase inquiry but we are sorry to inform you this is not quoted due raw material non availability in the market.

Best regards,
For Golden Engineering & Enterprises.

S. Mondal.(Proprietor)
09830250045/ (003) 26672449
Whatsapp No:9836668627

Visit us at: www.goldenengineering.co.in

On Sat, Apr 23, 2022 at 4:08 PM <purchase.bhiwadi@jindalaluminium.com> wrote:

Dear Sir/Madam,

PLEASE QUOTE YOUR COMPETITIVE OFFER FOR THE ATTACHED ENQUIRY BY RETURN MAIL & KINDLY SEND YOUR ACKNOWLEDGEMENT MAIL ONCE YOU RECEIVED THE ENQUIRY FOR CONFIRMATION.

NOTE : FEEL FREE TO CONTACT US IF YOU ARE NOT GETTING ENQUIRY ATTACHMENT AS MENTIONED IN ITEM DESCRIPTION.

ASST. MANAGER PURCHASE,
JINDAL ALUMINIUM LIMITED,
Bhiwadi division,
SP-2/333, INDUSTRIAL AREA,
BHIWADI - 301019,
ALWAR DIST,(RAJASTHAN)
GST No. 08AAACJ4324M1ZH
PH. NO. 9611195368
Website : www.jindalaluminium.com