



JYOTI AIRTECH ENGINEERS
Pressure & Vacuum Solution

Mfg. of: Twin Lobe Compressor, Bulkier Unloading System,
Cement/Fly Ash Feeding Blower, Cement Silos & Accessories

JAE/2022-2590
22 Aug, 2022

To,
M/s. JINDAL ALLUMINIUM LTD.
ALWAR (RJ).
Mo: - +91- 9611195368
E-mail:- purchase.bhiwadi@jindalaluminium.com
GSTIN. : - 08AAACJ4324M1ZH
Kind Attn: ASST. Manager Purchase

SUB: OFFER FOR "JYOTI" MAKE TWIN LOBE COMPRESSOR.

Dear Sir,

Thanks for the opportunity given to discuss and deliberate about the potential business opportunity.

Further, due estimation and evaluation regarding the supply of **Twin Lobe Compressor**. We are contented to express ourselves to accept the inquiry for captioned project. The quotations along with implied Terms & Conditions are as mentioned below.

We hope the quoted price is very much in the tune of realistic business sensibility. We assure you to confer our technical competency and expertise edge unreservedly for the successful completion upon providing an opportunity to offer our service.

Look forward to a mutually benefited business endeavor.

Vimal Patel
+91-9726308218
+91-9033807072

www.jyotiartech.in | jyotiartech@gmail.com
Plot No. 166/19, Karas Nagar Industrial Estate, Opp. New Telephone Exchange,
N. Bichay Conductor, G.D. C. W. B. 27, Himmatnagar, Jaipur-302015



TECHNICAL SPECIFICATION

(1) TECHNICAL DATA:

Model	JR-16
Type	Positive Displacement
Fluid Medium	Air
Cooling	Air Cooled
Capacity	340 M ³ /Hr (200 CFM)
Pressure	0.25 KG/CM ² (3.5 PSI)
Blower Speed	1400 RPM
Shaft Power	4 KW
Motor	7.5 HP/ 1440 RPM
Drive	V-belt Drive
Inlet Pressure & Temperature	Atmospheric Condition
Flow	Vertical / Horizontal
Lubrication	Both Side Oil Splash System
Rotation Direction	Clockwise view from pulley end
Dynamic Balancing	Rotors are Dynamically Balanced

(2) MATERIAL OF CONSTRUCTION:

Lobe	Lobe- SG Iron, FG400
Shaft	EN-8
Casing	CI - IS 210 FG 260
Cover	CI - IS 210 FG 260
Gear Pair	20 MnCr5/ Hardened & Ground
Bearing	SKF
Base Frame	M.S Fabricated
Belt Guard	M.S Fabricated
V-Belts	Any reputed make
Silencers	M.S Fabricated With Insulation Bonding of Glass Wool for Noise Level reducing.

Vimal Patel
+91-9726 308218
+91-9033807072

www.jyotiairtech.in | jyotiairtech@gmail.com
Plot No. 156/13, Kailashnagar Industrial Estate, Opp New Telephone Exchange,
Nr. Bombay Conductor, G.I.D.C. Vatva, Ahmedabad 382445



JYOTI AIRTECH ENGINEERS

Pressure & Vacuum Solution

Mfg. of: Twin Lobe Compressor, Bulker Unloading System, Cement/Fly Ash Feeding Blower, Cement Silos & Accessories

(3) ACCESSORIES INCLUDED:

ITEM	QUANTITY
Suction Silencer	1 Nos.
Discharge Silencer	1 Nos.
Common Base Frame for Blower & Motor	1 Nos.
V-belt guard	1 Nos.
V-belt set	1 Set.
Slide Rails for Motor	1 Set. (2 Nos.)
Grob Type Filter	1 Nos.
Non Return Valve	1 Nos.
Pressure Relief Valve	1 Nos.
V-pulley for machine and motor	1 Set. (2 Nos.)
Pressure gauge	1 Nos.
Mating Flange	1 Nos.
Oil	As per Requirement

(4) PRICE:

Description.	Price Rs.
"JYOTI" Make Twin Lobe Compressor Model JR-16 With All Accessories without Electric Motor.	₹ 1,35,000=00
Discount@ 20%	₹ 27,000=00
Discounted Price.	₹ 1,08,000=00
7.5HP/1450RPM CG/LHP/Havells/BBL make Electric Motor	Price Rs. ₹ 26,200=00

CHECK LIST

Description: above Price are final
Discount: 20%
PRICE BASIS : FOR BHIVADI, Ex-work
P & F : INCL...../EXTRA Extra
GST/IGST : 18% Gnt Extra
DELIVERY : 4 to 8 days
PAYMENT : 100% against P.I.
GC/MTC : 12 month warranty
VALIDITY :
CHECKED BY : Rupesh
31/10/22

Rs-134200/-
final Price
Rupesh Saini
31/10/22

Vimal Patel
+91-9726308218
+91-9033807072

www.jyoti-airtech.com
Plot No. 130/13, Kailashnagar Industrial Estate, P. O. No. 1, Telephone Exchange,
Nr. Bomani Compound, G. D. C. Road, Bhivadi, Dist. Solapur, Maharashtra - 431 101



JYOTI AIRTECH ENGINEERS

Pressure & Vacuum Solution

Mfg. of Twin Lobe Compressor, Bulk Unloading System,
Cement/Fly Ash Feeding Blower, Cement Silos & Accessories

(5) TERMS CONDITIONS:

Price	Each, Ex-Works, UN-PACKED, F.O.R. Vatva-Ahmedabad.
GSTIN	24AFQPM9930E1Z6
HSN	84145990
Packing Charges	Extra 3%
Tax	18 % GST extra
Bank Detail	HDFC BANK LTD ACCOUNT NUMBER : 59209824557031 IFSC CODE : HDFC0009122 BRANCH : VATVA AHMEDABAD
Delivery	Within 8-10 working days after P.O. and Advance Payment. (Excluding Transportation Time)
Payment Terms	40% Advance along with purchase order and balance payment against Proforma invoice before dispatch.
Freight	Extra at actual to be paid by Client. To-Pay Basis.
Commissioning Charge	Blowers are ready to install condition but if require then it will be charged extra.
Warranty	12 months from the date of dispatch at your works will be provided against any manufacturing defects. Accessories & consumables are not covered in under warranty. However this does not include parts or products, which have been subjected to misuse or which have been repaired or altered without the company authorization. During this period, if any defect is noticed, the same should be brought to our notice immediately. JYOTI AIRTECH ENGINEERS will investigate such complaints and either repair or replace the components found defective, if the defect is found to be a manufacturing defect. JYOTI AIRTECH decision in this regards will be final and legally binding. Motor warranty will be given by the motor manufacturing company. In case of any casualty, JYOTI AIRTECH is not responsible as we don't know the blower is working in what circumstances and conditions.
Offer Validity	15 days.

For, JYOTI AIR TECH ENGINEERS.

AHMEDABAD.

VIMAL PATEL

Vimal Patel
+91-9726308218
+91-9033807072

www.jyotiairtech.in | jyotiairtech@gmail.com
Plot No. 156/13, Kailashnagar Industrial Estate, Opp. New Telephone Exchange,
Nr. Bombay Conductor, G.I.D.C. Vatva, Ahmedabad 382445

TURBO BLOWER MANUFACTURER

Mfg of: Turbine Blower, Side Channel Blower, Centrifugal Blower, Twin Lobe & Vacuum Pump
 Gala no: G-13, M.K. Industrial Estate, Sonawala Cross lane: 2, Goregoan (east), Mumbai: 400063
 Email: info@turboblower.in/tbmhy1980@rediffmail.com/h_vec@yahoo.com
 Web: www.turboblower.in/www.ringblower.in/www.hipavacairsystems.com
 Phone: 09821501735 / 09892593910 / 8828333910

Ref: 08-2022, 9455

Date: 22-08-2022

M/s: Jindal Aluminium Limited.

SP-2/333, Industrial Area,
 Alwar Dist, Bhiwadi-301019,
 Rajasthan.

Kind Att: Asst. Manager - Purchase - 9611195368.

SUBJECT: Quotation for Turbo Twin Lobe Blower for your application.

Dear Sir,

We acknowledge with thanks receipt of your email enquiry for Twin Lobe Blower, and are pleased to submit our best offer as detailed below.

As per your requirement for capacity: 358m³/hr & pressure: 0.25kg/cm², pls find our lowest quotation.

Sr no:	Description: Twinlobe blower	Quantity	unit/price	Amount
1)	1. Fluid to be handled: Air	One	1,38,500/-	1,38,500/-
	2. Considered Inlet Temperature Ambient : (35 °C)			
	3. Considered Inlet Pressure : Atmospheric Air			
	4. Specific Gravity : 1.0			
	5. Capacity: 358m ³ /hr = 200CFM			
	6. Pressure : 0.25kg/cm ² / 2500mmwc = 3.5 PSI			
	7. Model : TBM-21.05 (AC)			
	8. Blower RPM: 1851			
	9. Recommended Motor: 5.5 KW / 7.5 HP/ 1440 RPM			
	10. Type of Drive: V-Belt			
	11. Flow Orientation: Top Suction, Bottom Discharge			
	12. Inlet / Outlet Size (m. m.): 100 NB			

*Final Price
 Rupesh Saini
 3/10/22*



The above blower price is with Hindustan Make motor and with all the standard accessories.

Material of Construction:

- Casing & side Plates - C.I.F.G. 260, IS: 210
- Rotors (Lobes) - Alloy Steel
- Shaft - Carbon Steel C40/EN24/19
- Gears - Cast Alloy Steel P
- Bearings - SKF spherical Roller type
- Base Frame - M.S. Fabricated



CHECK LIST

DISCOUNT : *above price are final*

PRICE BASIS : *FOR BHIWADI Ex-Work*

P & F : *INCL EXTRA Extra*

GST/IGST : *18% Crst Extra*

DELIVERY : *20 to 25 days*

PAYMENT : *50% advance and ser. P.T.O*

GCW/TC : *12 month warranty*

VALIDITY : _____

CHECKED BY : *Rupesh*
 3/10/22

List of Accessories (With Motor):

1. Common Base frame for Blower & Motor (M.S.) - 1 No.
2. Suction Filter - 1 No.
3. Suction Silencer (M.S.) - 1 No.
4. Inter-connecting Piping - 1 No.
5. Set of V-Belts - 1 Set.
6. V-belt Guard - 1 No.
7. Set of Drive & Driven Pulleys - 1 Set.
8. Pressure Gauge - 1 No.
9. Safety Valve (Spring Loaded Type) - 1 No.

TERMS AND CONDITIONS

- 1) Price Basic: Price quoted are Ex-Workshop, Mumbai and exclusiv of Taxes.
- 2) Payment: 100% advance against performa invoice along with technicaly and comrly ferm order.
- 3) Taxes: 18 % GST (HSN code: 8414)
- 4) Provisional GST ID: 27AACPY2280Q12M.
- 5) Delivery: 20-25 days from the date of PO and payment.
- 6) Validity: validity of 30 days from the receipt of this offer.
- 7) Freight: Through TCI Express on To pay door delivery basis.
- 8) Pakaging: 5,500/- extra with corogated or wooden boxes.

Warranty Period:

The equipment carries 1-year Bench warranty from the date of dispatch for any manufacturing defect or Faulty workmanship. This warranty will not be applicable if the blower has been put to improper use or dismantled at your end.

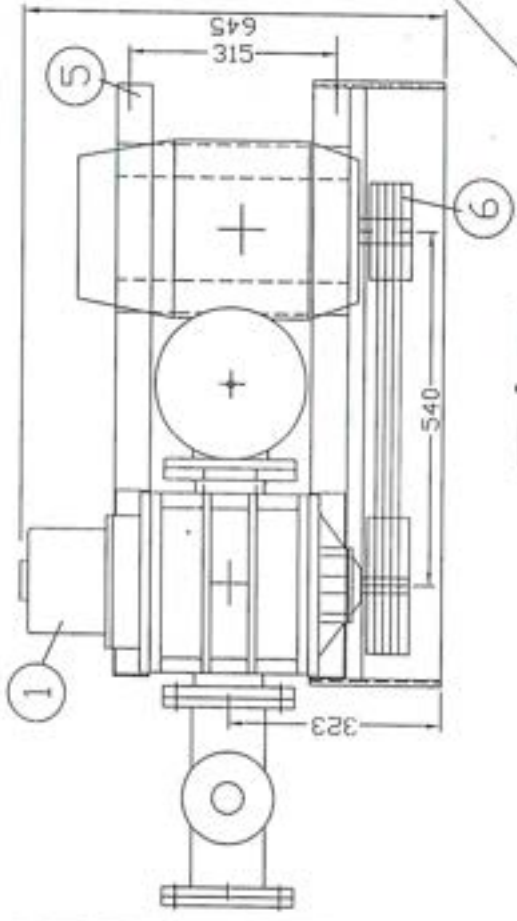
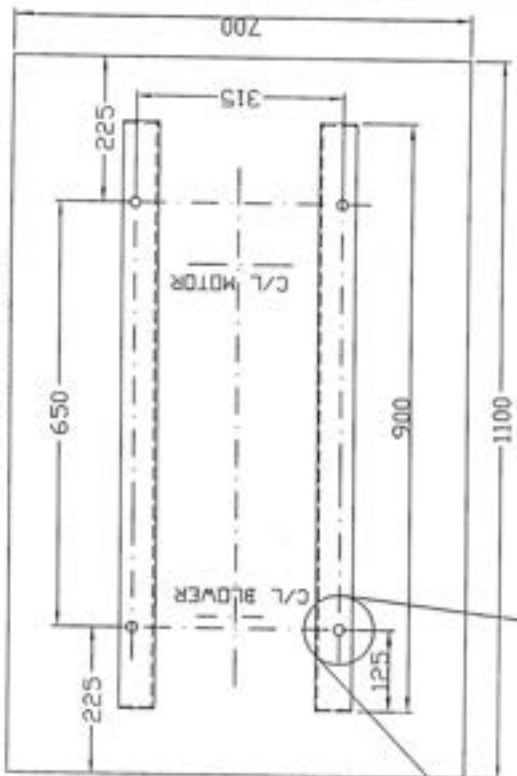
Trust we have met all your requirment and in case of any dout please feel free to get in touch with us. We look forward to serve you through this supply and have a long lasting relationship with you.

Yours Faithfully
For Turbo Blower Manufacturer;

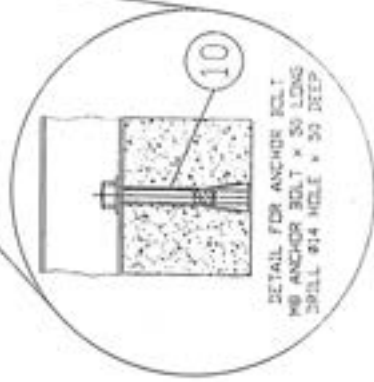
Authorized Signatory.

G.A. DRAWING MODEL BB67 ROOTECH

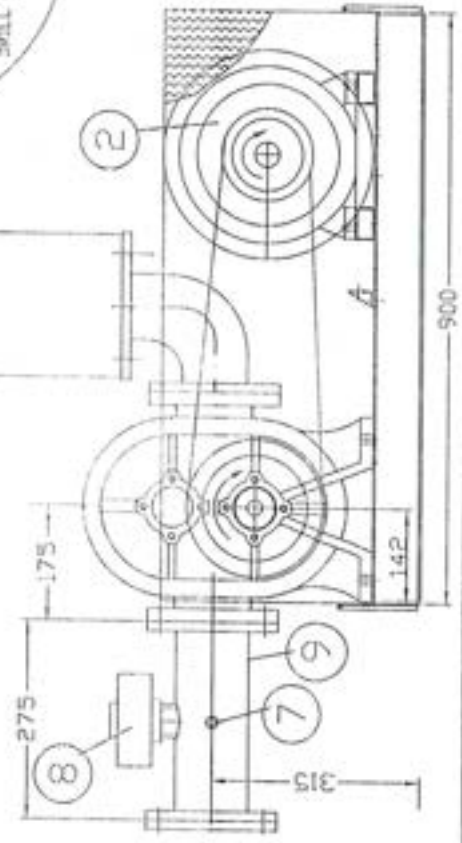
FOUNDATION PLAN



S. NO.	QTY.	PART NAME	MAKE
1.	1.	BLOWER/COMPRESSOR MODEL BB67	ROOTECH
2.	1.	ELECTRIC MOTOR (NOT IN OUR SCOPE)	STD.
3.	1.	AIR FILTER (Dry Bag Type) AF700	ROOTECH
4.	1.	SUCTION SILENCER (Absorbive) 100 NB	ROOTECH
5.	1.	BASE FRAME WITH MOTOR RAILS	ROOTECH
6.	1.	MOTOR & BLOWER PULLEY & BELT GUARD	ROOTECH
7.	1.	PRESSURE GAUGE	N-GURL 0-10kg/cm ² ROOTECH 1" BSP
8.	1.	RELIEF VALVE	ROOTECH
9.	1.	INTER. CONN. LINE 100mm NB WITH FLANGE	ROOTECH
10.	4.	ANCHOR BOLTS MBx50 LONG	STD.



DISCHARGE LINE END FLANGE DETAIL
 OD #200mm, 14 THK., 4 NO.
 #18mm HOLES AT 160mm PCD.



REMARKS

SH. CODE (E) TO BE RECORDED (D) TO BE VERIFIED BEFORE ASST.
 NOTES--DO NOT SCALE THE DRAWING UNSPECIFIED DIMENSIONS TOL. #13mm

SCALE	1:1
DATE	11/11
DRG. NO.	BB67RO
REV. NO.	0

ROOTECH SERVICES
 G.A. DRAWING MODEL BB67
 N.A.

Ref No : BB/NG/HKHR/RT/SK/08/20096R1/2022

Date : 22/ 08/ 2022

ASST. MANAGER PURCHASE,
M/S JINDAL ALUMINIUM LIMITED,
Bhiwadi division,
SP-2/333, INDUSTRIAL AREA,
BHIWADI - 301019,
ALWAR DIST. (RAJASTHAN)
GST No. 08AAACJ4324M1ZH
PH. NO. 9611195368
Website : www.jindalaluminium.com

SUBJECT: TECHNO-COMMERCIAL OFFER

Dear Sir,

This is with reference to your inquiry, regarding your requirement of Rootech Roots Blower for your respective application having capacity and Pressure of 200 CFM (340 M3/HR) and 3.50 PSI respectively.

Technical Proposal

1.	Make	:	ROOTECH
2.	Model	:	BB67
3.	Services	:	Air
4.	Installation	:	Indoor
5.	Quantity	:	01 No. <i>340m³/HR - 200CFM</i>
6.	Capacity	:	516 m ³ /hr (8.60 m ³ /min)
7.	Pressure	:	<u>3.50 PSI</u>
8.	Proposed Blower Speed	:	870RPM
9.	BHP/BKW	:	5.22/3.90
10.	Orientation Flow	:	HORIZONTAL FLOW

HO:- PLOT NO:110/7, VARDHMAN DHARAM KANTA, FIRNI ROAD, NEAR
VARDHMAN DHARAM KANTA, MUNDKA, NEW DELHI ,
Website: WWW.ROOTECH.IN

11.	Proposed Discharge Line	:	100 MM
12.	Sealing	:	VITON LIP SEAL
13.	Suc/Disch Opening	:	100 MM
14.	Volumetric Efficiency	:	83.40%
15.	Mechanical Efficiency	:	80.86%
16.	GD2 VALUE	:	0.95 kgmt2
17.	NOISE LEVEL	:	86-88 dB(A) @ 1.5 meter distance from source
18.	VIBRATION	:	< 4.50 mm/sec
19.	ENERGY CONSUMPTION/HOUR	:	3.90 KWH (UNITS)/HOUR
20.	STATIC WEIGHT	:	300 KG
21.	DYNAMIC WEIGHT	:	450 MM
22.	TORQUE	:	42.78 Nm
23.	ELECTRIC Motor	:	7.5HP (5.50 KW) /4 POLE/IE-2/4POLE/FOOT MOUNTED

1.00 Drive Details & Lubrication

1.	Drive	:	VEE BELT DRIVE
2.	Director of Rotation	:	Clock wise as viewed from pulley end.
3.	Gear Side Oil	:	GEAR OIL -SAE140/320 CASTROL/HP
4.	PULLEY SIDE BEARINGS	:	CASTROL AP-3 GREASE

1.01 Material of Construction

1.	Body, Side Plate & Impeller	:	C.I.Gr. FG 260 IS 210
2.	Shafts	:	EN19 (BS970:1955)
3.	Gears	:	20MnCR5 Hardened & Ground
4.	Bearings	:	Anti Friction
5.	Base Frame	:	M.S. Fabricated
6.	Seals	:	VITON LIP SEAL

1.02	Lubrication	:	GEAR OIL & GREASE
------	-------------	---	-------------------

1.03 Standard Accessories

Base Frame, Belt Guard Vacuum Relive Valve, Vacuum Gauge, In line Filter, Suction Silencer, Blower & Motor Pulley, First Oil Fill, V Belts, Discharge line, Relief Valve, Companion Flange, A.VPads

Commercial Terms & Condition**2.00 Price**

The Price of Rootech Roots Blower complete with all std. accessories as per technical specification with CGL/ABB 3 Phase Electric Motor is as under.

Model	QTY	Price of Blower	Price of CGL/ABB Make Motor
BB67	01	1,30,000=00	25,000=00

2.01 Delivery
4-5 days

1,00,000/-

25,000

Final Price

Rupesh Saini
31/10/22

HO:- PLOT NO:110/7, VARDHMAN DHARAM KANTA, FIRNI ROAD, NEAR VARDHMAN DHARAM KANTA, MUNDKA, NEW DELHI,
Website: WWW.ROOTECH.IN

2.02 Taxes
18% GST

2.03 Payment Terms
100% AGAINST PROFORMA INVOICE PRIOR TO DISPATCH

2.04 Packing
4 % on basic price

2.05 Warrantee
Eighteen Months warranty for any manufacturing/design defects.

2.06 Transportation

Material shall dispatch on door delivery-Freight To Pay Basis

For Rootech Services

Santosh Sinha
110/7, FIRNI ROAD, MUNDKA
NEW DELHI
M:+91-9215006007/9215006070
Website: WWW.ROOTECH.IN
GST NO:07CUHPS2688P1ZK

MANUFACTURER OF Roots Blowers & Roots Pumps

R
S

Final Price
Blower + Motor
Rs - 100000 + 25000
= 125000/- Final Price
Rupesh Saini
31/10/22

CHECK LIST	
DISCOUNT	: above Price are final
PRICE BASIS	: FOR BHIWADI For JAL
P & F	: INCL...../EXTRA Nil
GST/IGST	: 18% Gnt Extra
DELIVERY	: One year week
PAYMENT	: With in 15 day
GC/WC/TC	: 18 month warranty
VALIDITY	: _____
CHECKED BY	: Rupesh 31/10/22

HO:- PLOT NO:110/7, VARDHMAN DHARAM KANTA, FIRNI ROAD, NEAR
VARDHMAN DHARAM KANTA, MUNDKA, NEW DELHI,
Website: WWW.ROOTECH.IN

