

# SHREE SHYAM TRADING COMPANY

Deals In : ALL TYPE FABRICATON SOLUTION PROVIDERS

All Kinds of SS and MS Fabrication and Erection.

Off. Add. :Sec. 3 UIT Colony, Gaurav Path Bhiwadi (Raj.) 301019

E mail : chandawaddilip688@gmail.com

Ref. No. : SS/2021-22/2

NO 220900384

Date : 0 5/09/2022

JINDAL ALUMINIUM LTD.

BHIWADI BARRIEL (BHIWADI)

Kind Attn:- Mr. Satyam Paliwal

Manager

Email id:- satyamdamoh@gmail.com

Mob:- +91 9112728092

→ GST: 18%

→ Delivery: 10 days

→ Payment: 100% After

QUOTATION.

Dear Sir,  
we can quote you our best as under:-

Job Work Rate

→ Spacer	1Nos @250	Rs. 215	*3 = 645	completion of 100%
→ Bush	1Nos @150	Rs. 110	*3 = 330	
→ Sketch-1	1Nos @150	Rs. 125	*	
→ Sketch-2	1Nos @150	Rs. 110	*4 = 440	
→ Sketch-3	1Nos @200	Rs. 120	*1 = 120	
→ Sketch-4	1Nos @350	Rs. 250	*2 = 500	
→ Sketch-5	1Nos @700	Rs. 500	*1 = 500	
		<u>Total</u>	<u>2535/-</u>	

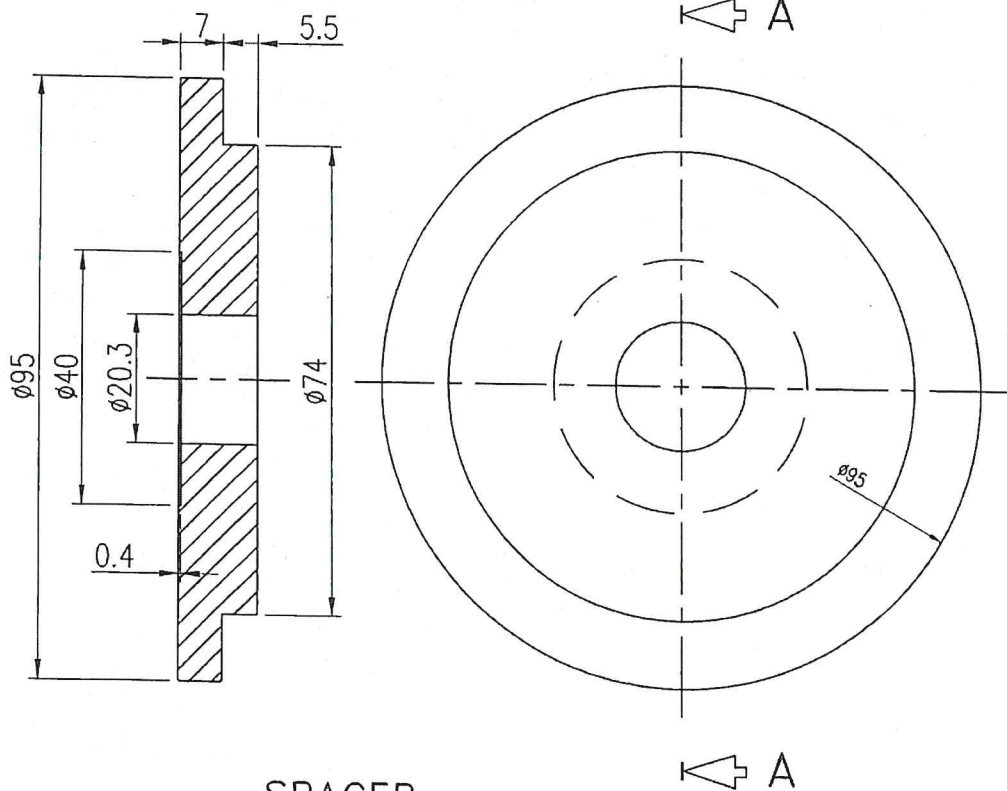
TERMS AND CONDITION

- |   |          |                     |   |         |           |
|---|----------|---------------------|---|---------|-----------|
| 1 | TAX      | - As Actual         | 2 | Cartage | - Extra   |
| 3 | Delivery | - After getting PO. | 4 | Payment | - With PO |

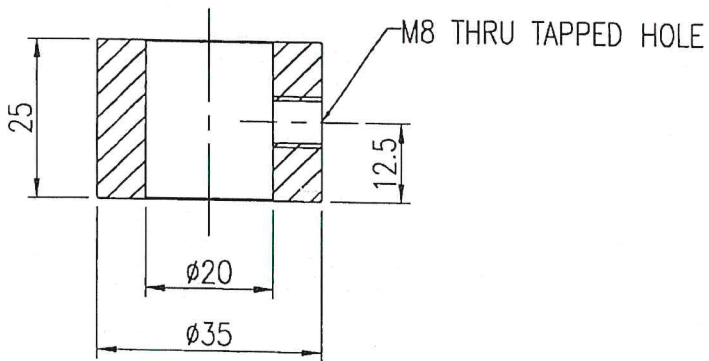
We are looking forward for valuable order.  
M/s Shree Shyam Trading Company

Average Price Rs. 181/- Each

Dilip Singh  
MOB- 8740020215



SPACER  
QTY-1 NO



BUSH  
QTY-1 NO

NOTE:- ALL OVER CHF.-0.2X45°  
MATERIAL:-EN8

**JINDAL ALUMINIUM LTD.**

SP-2/333, INDUSTRIAL AREA,  
BHIWADI, RAJASTHAN-301019

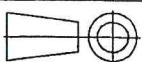
	NAME	DATE
DRN.	VIKAS	30.08.22
CKD.		
APPD.		

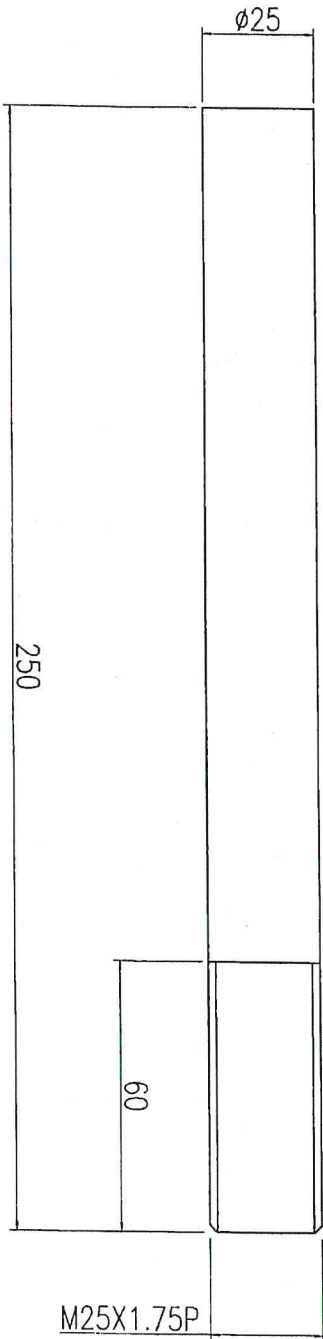
ALL DIMENSIONS ARE IN mm., UNLESS OTHERWISE SPECIFIED

SCALE  
1:1

SPACER & BUSH FOR TAP CUTTING  
MACHINE ANODIZING PLANT

DRAWING NO.  
CHECKING




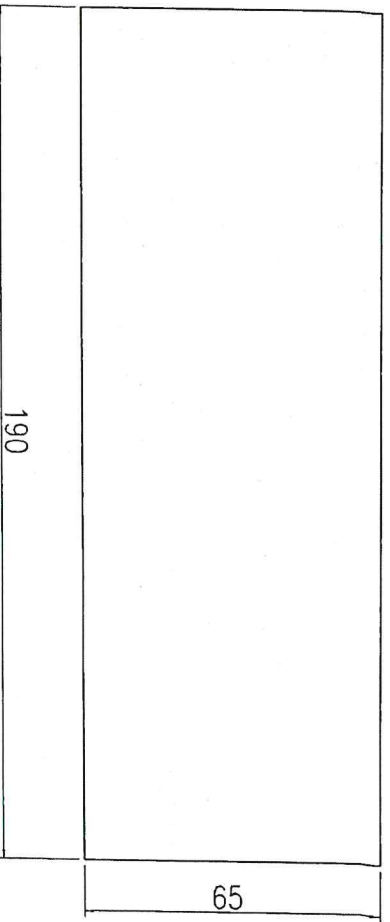
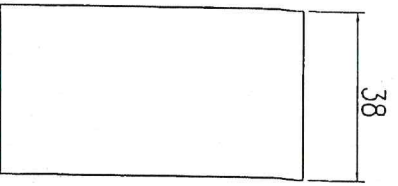


*100 mm long thread*

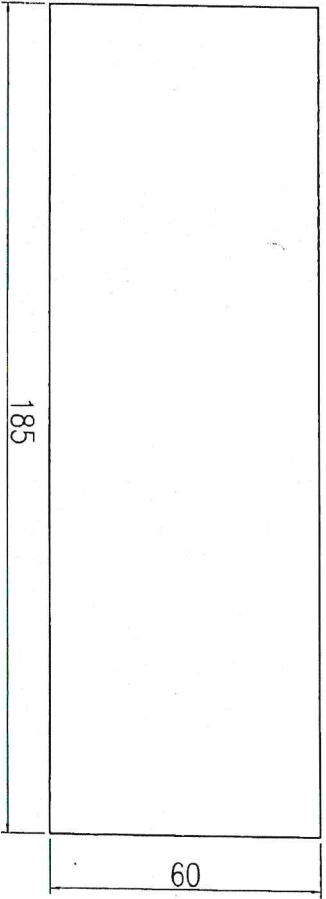
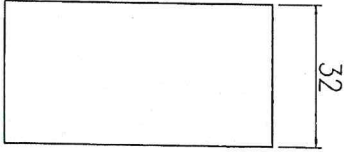
MATERIAL - M.S.  
QTY. - 4 NOS.

<b>JINDAL ALUMINIUM LTD.</b> SP-2/333, INDUSTRIAL AREA, BHIWADI, RAJASTHAN-301019		NAME ANURAG	DATE 25-08-2022
ALL DIMENSIONS ARE IN mm., UNLESS OTHERWISE SPECIFIED		DRN. CKD.	
SCALE 1:1		APPD.	

	SHAFT	DRAWING NO. SKETCH 2
---	-------	-------------------------



ROUGH SIZE - 190 X 65 X 38 THK



FINISH SIZE - 185 X 60 X 32 THK

MATERIAL - M.S.  
QTY. - 2 NOS.

<p><b>JINDAL ALUMINIUM LTD.</b> SP-2/333, INDUSTRIAL AREA, BHIWADI, RAJASTHAN-301019</p>		NAME	DATE
<p>ALL DIMENSIONS ARE IN mm., UNLESS OTHERWISE SPECIFIED</p>		DRW.	25-08-2022
<p>SCALE 1:1</p>		CHKD.	
<p>PLATE</p>		APPD.	
<p>DRAWING NO. SKETCH 4</p>			

