



Jindal Aluminium

Bhiwadi Purchase . <purchase.bhiwadi@jindalaluminium.com>

Enquiry No:'EN220800933'-'K5061'Bhiwadi Division

MOHIT AGGARWAL <sales@khandelwalagencies.net>

Tue, Sep 6, 2022 at 11:29 AM

To: purchase.bhiwadi@jindalaluminium.com

Cc: rajgopal@jindalaluminium.com, Khandelwal Agencies <khandelwal_agencies@yahoo.com>

Dear Sir,

Greetings!

We thankfully acknowledge receipt of your valuable inquiry. As desired we are submitting the offer for consideration.

SR NO.	PRODUCT	QTY	UOM	MAKE	LIST	LESS	NET	TOTAL
1	3 PHASE INDUCTION MOTOR, 2.2 KW / 3HP, 925 RPM FLANGE MOUNTING	1	NOS	ABB	53550	64% 66%	19278	19278
					GST	18%		3470.04
								22748.04

TERMS AND CONDITIONS:

FREIGHT : EXTRA AS APPLICABLE

TAX : GST 18% extra as applicable

Discount : As mentioned

Insurance : In your scope; You have to Insure the consignment if required.

PAYMENT: WITHIN 30 DAYS

Validity of offer – Till the new list price will be announced by the company.

THANKS AND REGARDS

MOHIT AGGARWAL

CONTACT:9875110194

OFFICE TELEPHONE:01493294120 EXT.43

SAKSHI SINGH RAJPUT

CONTACT-7374909092

CHECK LIST	
DISCOUNT	: above price are final
PRICE BASIS	: FOR BHIWADI For JAL
P & F	: INCL...../EXTRA nil
GST/IGST	: 18% GST Extra
DELIVERY	: ready Stock
PAYMENT	: 30 days
GCN/C/C	: 12 Month Warranty
VALIDITY	: _____
CHECKED BY:	Rajput

Discussed with mr. Sakshi
the above price are final

Rajput
21/9/22

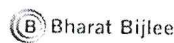
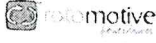


LOKESH ELECTRICALS PVT. LTD.

The Motor People

#7, G.R.C. Towers, 2nd Cross, Kalasipalyam New Extn., Off Kumbargundi Road, Parallel to J.C. Road, Bangalore - 560 002

LH & HT Motors | Flameproof Motors | Gearboxes | Geared Motors | Vibrator Motors | Torque Motors | Drives | Panel Boards
Crane Duty Motors | Brake Motors | Valves | Generators | Alternators | Plumber Blocks | Bearings | Compressors
Mechanical Power Transmission Products | Industrial Pumpssets | Domestic Pumpssets | Cables



JINDAL ALUMINIUM LIMITED (BH)

Bhiwadi division, SP-2/333, INDUSTRIAL AREA, BHIWADI -
301019, ALWAR DIST,(RAJASTHAN)
BHIWADI -301019

Party GSTIN: 08AAACJ4324M1ZH
Kind Attn.: **ASST. MANAGER PURCHASE,**
Contact No.: 9611195368

Enquiry Ref. :
Date : 20-08-2022

Quotation # : **LEPL/1511/JA/2022-23**
Date : 22-08-2022

Dear Sir/Madam,

With reference to your enquiry for the requirement of electric motors, We would like to quote the lowest offer (**THE BEST PRICE**) for the following:

Quotation for Rotomotive Make Electric Motor IE2

Sl.	KW / HP	RPM / Pole	FRAME	MOUNT	QTY.	PRICE	AMOUNT
1.	2.20 / 3.00	1000 / 6	112	Flange	1	14,510.00	14,510.00
					TOTAL:	1	14,510.00

*Final Price
Reply*

TECHNICAL ASPECTS:

AC 3PH, Sq-Cage TEFC, 415V±10%, 50Hz±5%, Duty S1
with Class F insulation, IP-55, with temperature 50 Deg.

TERMS AND CONDITIONS:

1. Price : The Above Price Is F.O.R. Ex-Godown Bangalore.
2. GST : 18% GST Extra
3. Delivery : Immediate Ex-Stock is available
4. Warranty : The Motors have warranty For 12 Months Against Any Manufacturing Defects.
5. Payment : 100% against Proforma Invoice (RTGS Before dispatch)
6. Validity : 15 Days
7. NOTE : Quoted price suitable for Rotomotive Make Electric Motor- IE2
8. Speciality : Aluminium body.
9. Freight & Packing : Extra or Your scope.

Hope you will find our offer inline with your requirement. Awaiting your valuable orders. Thanking you and assuring you our best services at all times.

GSTIN: 29AAACL5995N1ZM

Page 1 of 1

E.&O.E

CHECK LIST

DISCOUNT : *above price one final*

PRICE BASIS : FOR BHIWADI *Ex-work*

P & F : INCL..... / EXTR *Extra*

T/GST : *Ex-Inst Extra*

With Regards *One week*
for Lokesh Electricals Pvt. Ltd.
SHAKTI *100% P.I*

CO/C/TC : *12 month warranty*

VALIDITY :

CHECKED BY : *Reply*

This is a computer generated Quotation. Signature not required.



SUMIT ENGINEERS

Plot No-14, New DLF Area, Near NHPC Chowk
Faridabad, Haryana-121003(INDIA)
Email- marketing@sumitengineers.com, sumitengineers@gmail.com
Ph. 0129-2270063/64, M. 9643332811

GST No:-06ADXPC5835F1ZD

QUOTATION

M/S JINDAL ALUMINIUM LIMITED
BHIWADI
RJ.
India

Dated:- 22-08-2022
SUMIT/YS/2022-2023/0136
Kind Attn:-Mr.....
Mobile:-+91 - 9611195368
Email:-purchase.bhiwadi@jindalaluminium.com

Sr. No.	Description	Quantity	Nett.Price/Piece	Total Value (Rs.)
1	TYPE:- 2.2kw/950-RPM /BS-FLANGE/ IE2 415VAC-50HZ, IP-55, CLASS-F, IP55, S-1 Make-ABB, MOTOR	1	18,122.00	18,122.00

*Final Price
Rupery*

NOTE *

The Quotation is Subject to the following Terms & Conditions Mentioned Below:

- Prices : Nett. After Discount.
- GST : @18% Extra.
- Terms of Payment : @ 100% against Proforma Invoice.
- Packing & Forwarding : EXTRA.
- F.O.R. : FARIDABAD
- Delivery : -SR.NO-1-READY IN STOCK
DELIVERY TIME WILL BE-05-07 WORKING WEEKS FROM THE DATE OF RECEIPT OF PURCHASE ORDER.
- Offer Validity : -10 Days.
- Warranty /Guarantee : -12 Months from the date of installation or 18 Months from the date of Invoicing whichever is earlier, against manufacturing defects.

The Gears & Motion Control Engineers



*Discussed with Mr. Sumit
the above Price are final
Rupery*

CHECK LIST	
DISCOUNT	: above Price are final
PRICE BASIS	: FOR BHIWADI Ex-work
S.F	: INCL..... / EXTRA <input checked="" type="checkbox"/> Extra
TAXES	: 18% Amt Extra
DELIVERY	: <input checked="" type="checkbox"/> 2 to 3 days
PAYMENT	: against Delivery
WARRANTY	: 12 month warranty
VALIDITY	: _____
CHECKED BY	: <i>Rupery</i>



Quotation



K Dhandapani & Co. (Engrs). Pvt Ltd

Dealers in : Switchgears, Motors, Brake Motors, Geared Motors, Flexible and Underground Cables

Head Office : "Krishnalaya" No. 26, IV Cross, NR Road, Bangalore 560002. Ph: 9448280490,9448280492,9886491000

Godown : No. 26 D, Veerasandra Industrial area ,(Phase 2 Electronic City) Bangalore 560100. Ph: 8217412985

GST No : 29AAECK6345B1ZM - MSME Reg.No. UDYAM-KR-03-0015007

Ph: 080-27735051

Enquiry Ref

EN220800933

M/s. Jindal Aluminium Limited,
BHIWADI

Enquiry Date

20 August 2022

Quote Ref

KDEL/SM/1469/22-23

Quote Date

22 August 2022

Siemens Make Motor

Degree of Protection IP55, Insulation Class 'F', Ambient 50°C,

Cast Iron housing, Method of Cooling - IC411,

415V ± 10%, 50Hz ± 5%, combined 10%, S1 Duty, IS:12615 / IEC:60034-1

Sr No	Description	Quantity	Price Per Unit
1	Siemens Make Motor : (HSN- 85015210) 2.2 KW, 3 HP, 960 RPM, 6 POLE, 112M FRAME, FLANGE MOUNTED Efficiency IE2 (High - Efficiency)	1	19,350.00

Final Price
Rupam

Terms and Conditions

Technical Note :

- : Insulated bearing advised for VFD Driven Motor (Only for 250 and above frame) . Charges Extra
- : Roller bearing is advisable if the motor is coupled with V BELT. Charges Extra.
- : VFD can be operated from 50% to 100% of the rated speed.
- : CG MAKE Flame Proof Motors NOT TO BE USED with VFD

Payment

: 7 Days from the date of Invoice

Price

: Price are EX KDPL Godown (Veerasandra) Bangalore. Freight @ Buyer's Scope.

Discount

: Included in above price

IGST

: 18% Extra

very

: Ready Stock Subject to Prior Sale

L.D.Clause

: Not Applicable (Even if mentioned in your PO)

Stock Validity

: 2 Days

Price Validity

: 7 Days

P&F

: Packing and Forwarding : Extra @ 1%

Warranty

: 12 Months from the date of invoice (Valid in India Only)

Contact

: R Sekar 9448280490 / Vilwanathan 9448280492 / R S Chari 9886491000

Co Name

: K Dhandapani & Co Engrs Pvt Ltd

Bank Name

: Axis Bank Ltd

Bank Branch

: Corporate Banking Branch

NEFT IFSC Code

: UTIB0001541

Current a/c No.

: 912030027474041

CHECK LIST	
DISCOUNT	: above price are final
PRICE BASIS	: FOR BHIWADI Ex-Work
P & F	: INCL..... / EXTRA 1% Extra
DELIVERY	: One week
WARRANTY	: within 7 days
WARRANTY	: 12 Month warranty

Discussed with
above price are final
Rupam
21/9/22

Authorised Distributors

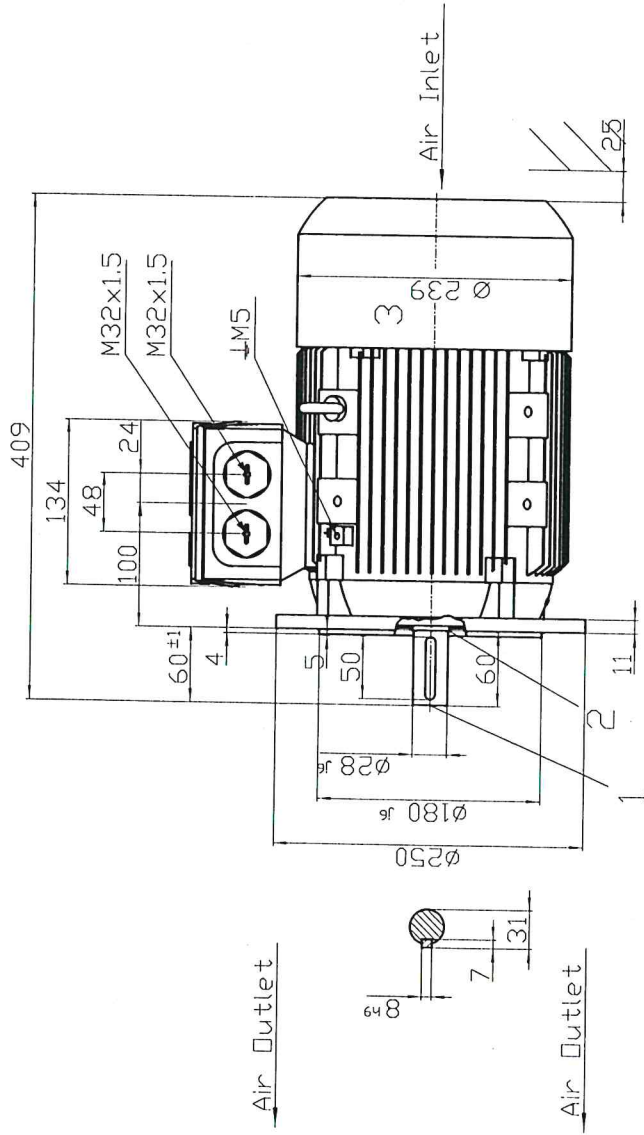
SIEMENS Switchgears, SIEMENS Motors, Crompton Greaves, Finolex Cables



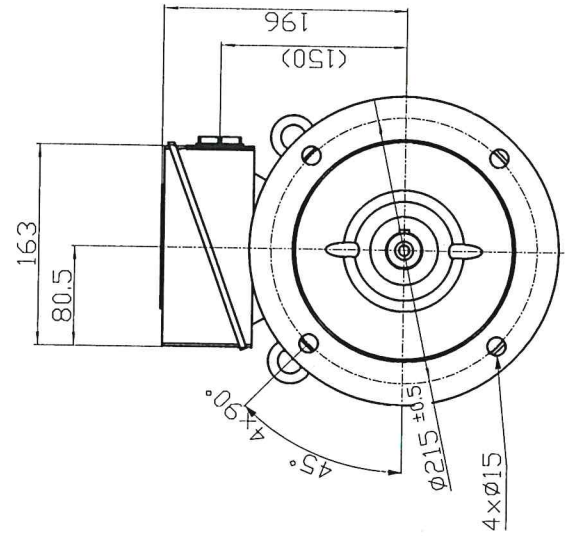
Crompton Greaves



CHECKED BY: Rupam



- 1) Protected centre hole M10x24
- 2) Relief groove as per DIN509 / IS:3428
- 3) Measured across screw heads



Reference DIN EN 50347 Unrated Dimensions: ISO 2768v / ISO 102v	Surface	Material	Height	Scale
FS.:112M; Const.:IMB5 1LE7501-1BC23-5FA4	Author	DTK	-	$\frac{1}{1}$ mm
	Creator			
	Approval			
	Department			
	Change Order			
	Doc. Title	Item No.	Doc. No.	Doc. Type
	Revision	IS	12/6/20	A4
	Project No.	Doc. No.		Language
	2019			en
© Siemens AG	7			Sheet 1 of 1