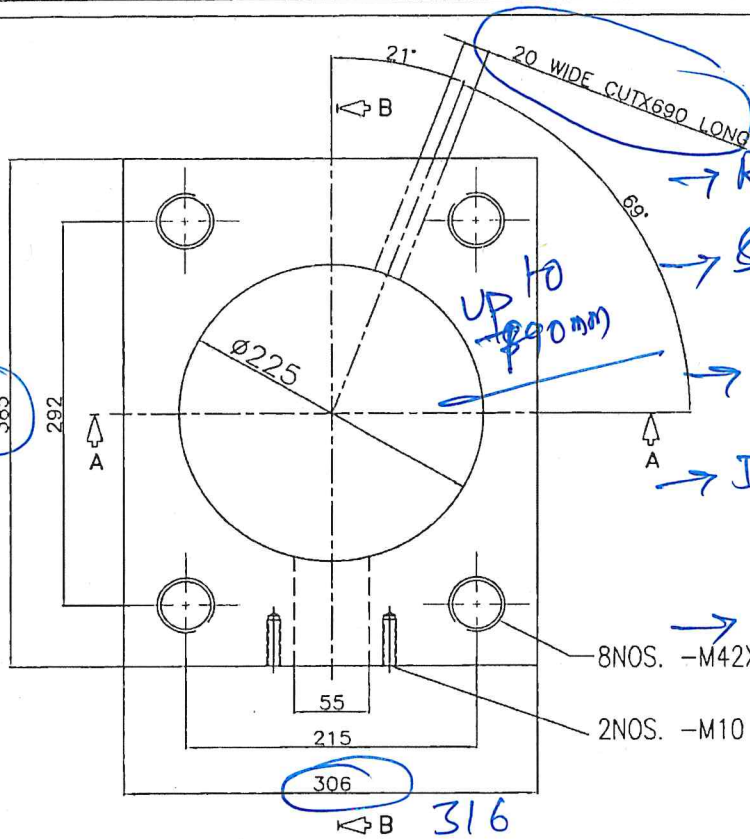
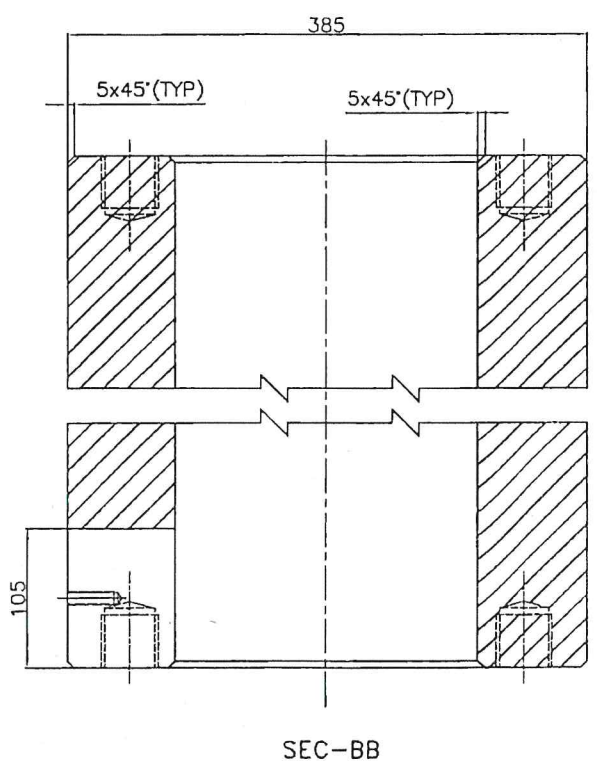
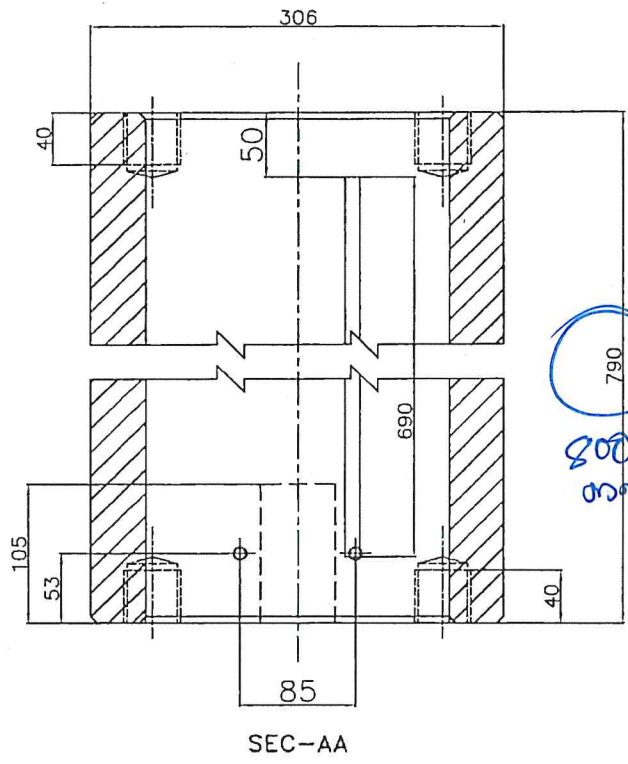


395



→ RM - 785 @ Re. 160/- = 125600  
 → Scrap 255 @ Re. 39 = 9945  
 115655  
 → machining - 17500/-  
 133155  
 → Drilling/ slotting 6000/-  
 139155  
 → 5% Profit 8350/-  
 147505/-

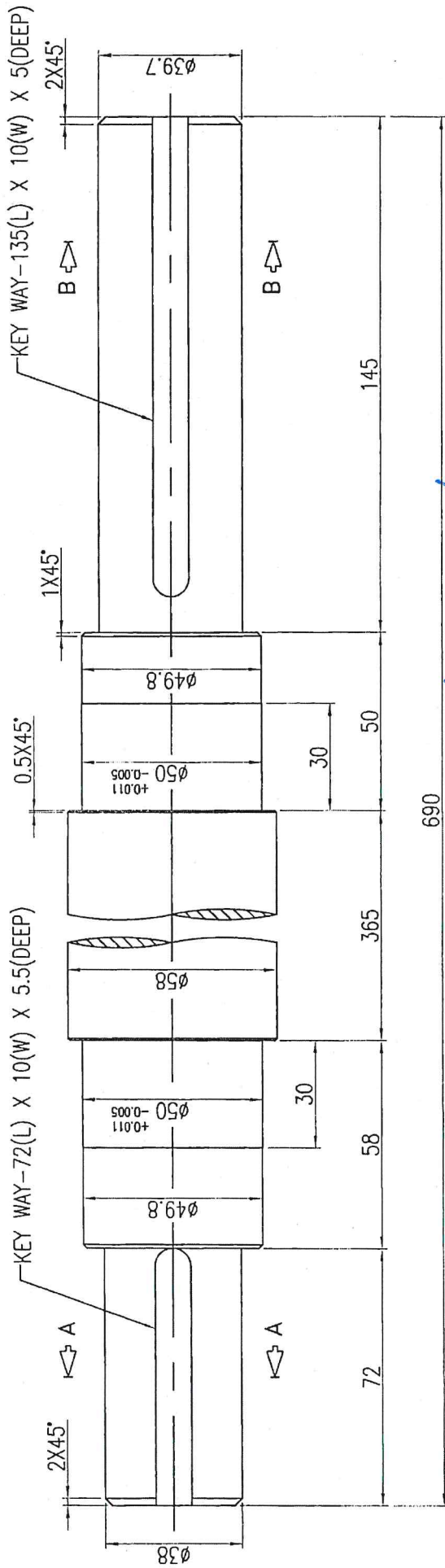


790  
800  
800

MATERIAL:-EN24

OK  
22/07/22

<b>JINDAL ALUMINIUM LTD.</b> SP-2/333, INDUSTRIAL AREA, BHIWADI, RAJASTHAN-301019		NAME	DATE
		DRN. VIKAS	22.07.22
ALL DIMENSIONS ARE IN mm., UNLESS OTHERWISE SPECIFIED		CKD. <i>Bi</i>	22.07.22
		APPD. <i>JT</i>	22.07.22
SCALE 1:1 	GUIDE OF BUTT SHEAR RAM FOR BP1 PRESS	DRAWING NO. BP1-1650-34-A3	

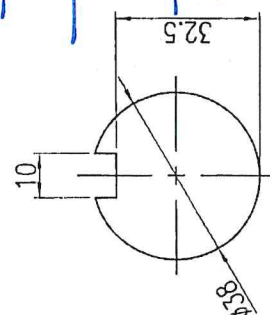


→ 60-16 kps @ = 240/- = 3840/-

→ Maching = 2200/-

→ Slottig Key way = 1300/-

FOYO-SEC-BB



MATERIAL:-SS304

JINDAL ALUMINIUM LTD. SP-2/333, INDUSTRIAL AREA, BHIWADI, RAJASTHAN-301019		NAME	DATE
DRN.	VIKAS	22.07.22	
CKD.		29.7.22	
APPD.		04/08/22	
ALL DIMENSIONS ARE IN mm., UNLESS OTHERWISE SPECIFIED		DRAWING NO.	
SCALE 1:1		LHF-BP1-04-A3	

OK

04/08/22