



ISO 9001:2015 CERTIFIED

Golden Engineering & Enterprises

Address: Kamardanga, Pallabpukur, Santragachi, Howrah - 711104
State: WEST BENGAL(19)

GSTIN: 19AESPM2302K2Z7

PAN: AESPM2302K

Mobile: 9830250045

Phone: 033 2667 2449

Website: www.goldenengineering.co.in

Email : golden.mondal@gmail.com

QUOTATION

Quotation No. : QUO/Q/414/2022-23

Date: 24-08-2022

Ref./PO No. : EN220800964

Ref./PO Date : 23-08-2022

QUOTATION TO (DETAILS OF RECEIVER)

Name: JINDAL ALUMINIUM LIMITED
(BHIWADI DIVISION)
Address: SP-2/333, RICCO INDUSTRIAL
AREA, BHIWADI, ALWAR, BHIWADI,
RAJASTHAN, 301019
Mobile:
GST No: 08AAACJ4324M1ZH
State : RAJASTHAN
State Code: 8

S.No.	Item Name Description	HSN/SAC	UoM	Qty	Rate	Dis(%)
1	06641848 CONTAINER HOLDER LOCK NUT FOR BP1 PRESS AS PER DRG. NO- BP1-1650-36-A3, PART NO.-3.,	7318	pieces	2	7500	0.00
2	06641846 CONTAINER HOLDER LOCK NUT FOR BP1 PRESS AS PER DRG. NO- BP1-1650-36-A3, PART NO.-1.,	7318	pieces	2	7500	0.00
3	06641847 CONTAINER HOLDER LOCK NUT FOR BP1 PRESS AS PER DRG. NO- BP1-1650-36-A3, PART NO.-2.,	7318	pieces	2	7500	0.00

Re. 7100/ Each
Re. 7100/ Each
Re. 7100/ Each

CHECK LIST

DISCOUNT *Red Rate as above* Total 6 45000 P & O E

Terms & Conditions:

RATES - Ex. Works, Howrah.
G.S.T - Extra, 18% as applicable
PAYMENT - 30 days Credit Maximum.
DELIVERY - Within 45 Days..
PACKING - Inclusive.
INSPECTION - At Your Side.
VALIDITY - 15 days from the date hereof.

PRICE BASIS : FOR BHIWADI *FOR - Bhiwadi*

P & F : INCL / EXTRA

GST/IGST : *IGST: 18%*

DELIVERY : *6 weeks*

PAYMENT : *30 days*

BC/WC/TC : *—*

VALIDITY : *—*

CHECKED BY : *Rajjard*

*Discussed with
Mr. Mondal and
agreed above*
*(Signature)
14/10/22*



INDRO INDUSTRIES



AN ISO 9001: 2008 CERTIFIED COMPANY

ENGINEERS, MANUFACTURER & FABRICATORS

13/6, NATABAR PAUL ROAD (KADAMTALA) HOWRAH – 711 101. WEST BENGAL
TEL.NO.033-2643-8105, E.MAIL:indroindustries@yahoo.co.in Website: www.indroindustries.com

QUOTATION

QUOTATION NO-II/Q/329/2022-23
REF ENQ. NO. EN220800964

DATE 23.08.2022
DATE 23.08.2022

TO,
M/S. JINDAL ALUMINIUM LIMITED
BHIWADI

Dear Sir

Thanking you for your above enquiry and we are pleased to submit our lowest best offer. Our terms & conditions are given below.

SL.NO.	Item Code.	Materials Description	Quantity	Prices	Per
1.	06641846	CONTAINER HOLDER LOCK NUT FOR BP1 PRESS AS PER DRG. NO- BP1-1650-36-A3, PART NO.-1,,	02 NOS.	5800/-	EACH
2.	06641848	CONTAINER HOLDER LOCK NUT FOR BP1 PRESS AS PER DRG. NO- BP1-1650-36-A3, PART NO.-3,,	02 NOS.	5800/-	EACH
3.	06641847	CONTAINER HOLDER LOCK NUT FOR BP1 PRESS AS PER DRG. NO- BP1-1650-36-A3, PART NO.-2,	02 NOS.	5800/-	EACH

Final Rate
Rs. 5512
Rs. 5570
Rs. 5570
Each

We trust our offer will be acceptable to you and will be favored with your valued order.

TERMS & CONDITIONS.

- SALES TAX : G.S.T. 18% WILL BE CHARGE EXTRA
- TRANSPORTATION : DOOR DELIVERY BASIS.
- PAYMENT : WITH IN 30 DAYS.
- DELIVERY : WITHIN 8-10 WEEKS.
- INSPECTION : AT YOUR WORKS
- VALIDITY : 30 DAYS

CHECK LIST

DISCOUNT *ed Rate as above*

PRICE BASIS : FOR BHIWADI

INCL. EXTRA

TAXES : *18% Extra*

DELIVERY : *10 weeks*

PAYMENT : *30 days*

GC/WC/TC : *---*

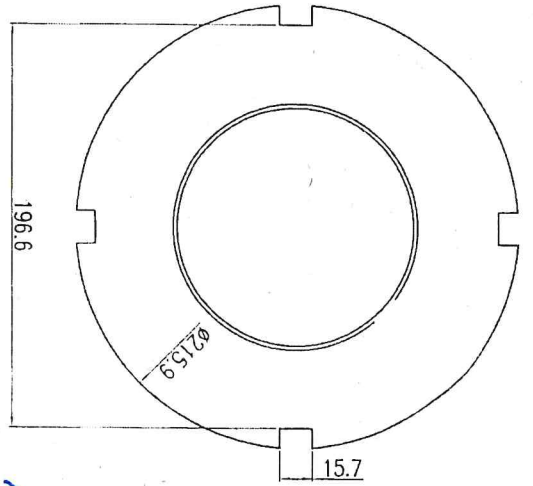
VALIDITY : *---*

CHECKED BY : *Raj Popal*

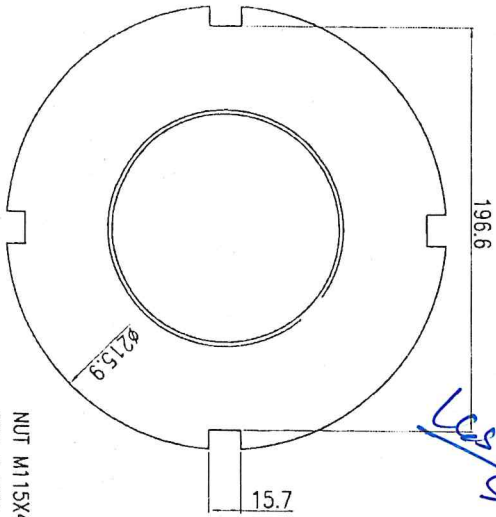
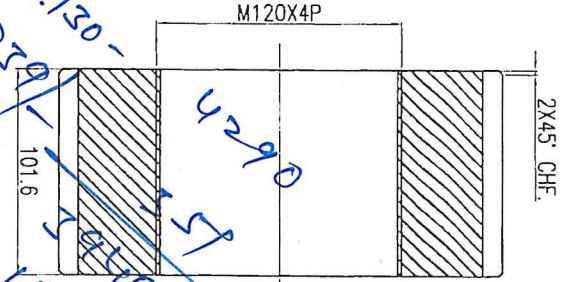
Discussed with Mr. Susanta and agreed above rate

FOR INDRO INDUSTRIES
 [ARUN KUMAR BANERJEE]
 SALES EXECUTIVE
 MOBILE NO. 09339288975

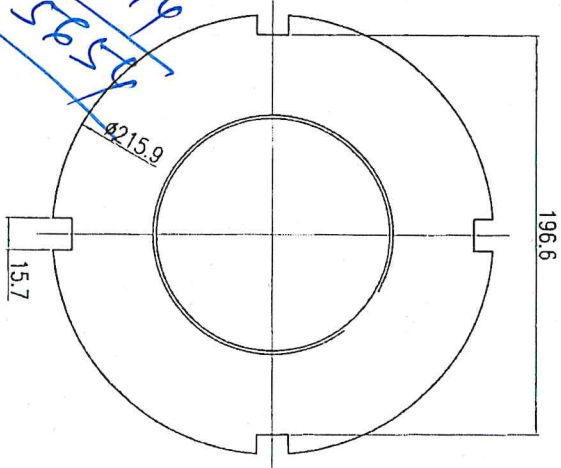
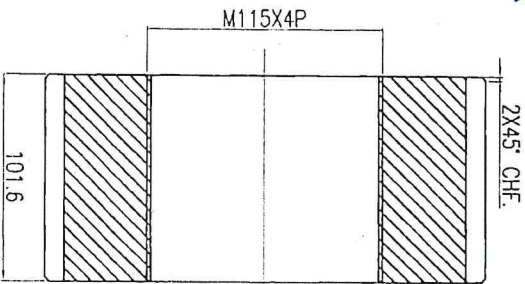
OUR G.S.T. NO. 19AAFF11702C1ZX



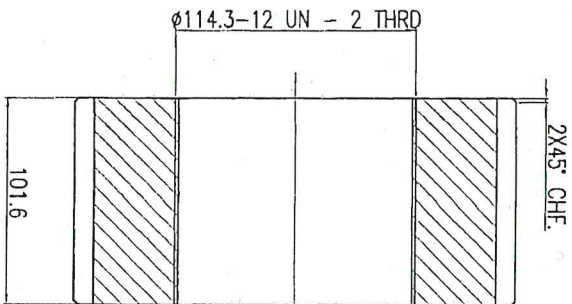
NUT M120X4P
QTY-1 NOS
MATERIAL:-EN24
PART NO.-1



NUT M115X4P
QTY-1 NOS
MATERIAL:-EN24
PART NO.-2



NUT 114.3-12UN-2 THRD
QTY-2 NOS
MATERIAL:-EN24
PART NO.-3



Handwritten notes:
 220 - 1345 @ R.130 -
 2345 @ 50 -
 M120X4P -
 15.7
 101.6
 1200
 5740
 5740
 5695

JINDAL ALUMINIUM LTD. SP-2/333, INDUSTRIAL AREA BHIRAUDI, RAJASTHAN-301019		DATE 20.08.22
ALL DIMENSIONS ARE IN mm, UNLESS OTHERWISE SPECIFIED	DRN. VIKAS	DATE 20.08.22
SCALE NTS	APPD.	DATE 20.08.22
LOCKING NUT FOR CONTAINER CYLINDER BP1 PRESS	DRAWING NO. BP1-1650-36-A3	DATE 20.08.22

Handwritten signature and date:
 OK
 20/08/22

Jindal Aluminium Limited
 Bhiwadi Division
 BHIWADI - 301019

PURCHASE INDENT

Format : JAL/RMD/STO/F/04

Indent No : DI220802180
 P-TYPE : P2
 Status : **PROCUREMENT**

Indent Date : 20-Aug-2022
 Department : MECHANICAL MAINTEN
 Indent Type : DEPARTMENT

REVENUE EXPENSE

Expected Date/
 Urgency/Brand/
 CMD Approved

S.No	Item Code	Description & Make Spl Description	P-TYPE	Justification	Stock	Q U A N T I T Y	UOM	To be Purchased	Expected Date/ Urgency/Brand/ CMD Approved
1	06641846	CONTAINER HOLDER LOCK NUT FOR BP1 PRESS AS PER DRG. NO- BP1-1650-36-A3, PART NO.-1	P2	P-1 CONTAINER HOLDER LOCK NUT/IMMEDIATE USE P00006201410 EXTURSION PLANT/P1 PRESS REPAIR AND MAINTENENC	on hand	0.00	NOS	2.00	01-Sep-2022 N N N
2	06641847	CONTAINER HOLDER LOCK NUT FOR BP1 PRESS AS PER DRG. NO- BP1-1650-36-A3, PART NO.-2	P2	P-1 CONTAINER HOLDER LOCK NUT/IMMEDIATE USE P00006201410 EXTURSION PLANT/P1 PRESS REPAIR AND MAINTENENC		0.00	NOS	2.00	01-Sep-2022 N N N
3	06641848	CONTAINER HOLDER LOCK NUT FOR BP1 PRESS AS PER DRG. NO- BP1-1650-36-A3, PART NO.-3	P2	P-1 CONTAINER HOLDER LOCK NUT/IMMEDIATE USE P00006201410 EXTURSION PLANT/P1 PRESS REPAIR AND MAINTENENC		0.00	NOS	2.00	01-Sep-2022 N N N