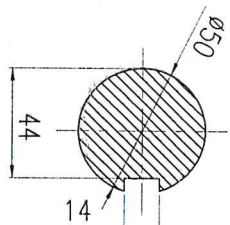
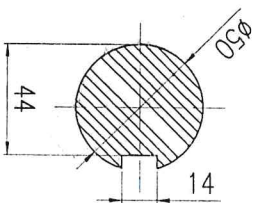
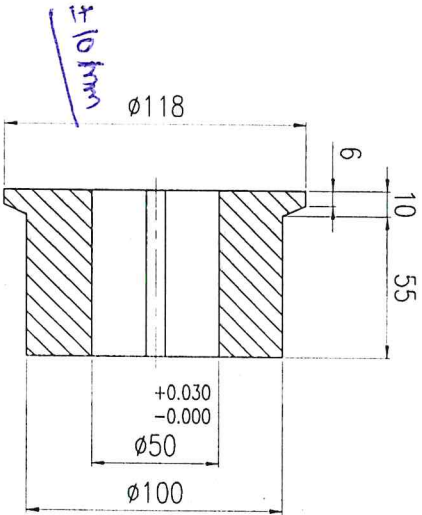


SHAFT
MATERIAL:-SS310
PART No.-1

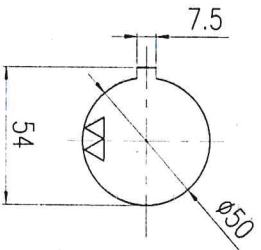


VIEW AT-B

SEC-AA



WHEEL
MATERIAL:-CI.
PART No.-2



Material → 310SS

Market price → 600/-

Raw weight →

47 kg × 600/-

→ 28200/-

Total ⇒ Raw material cost ⇒ 30360/-
Transportation + labour ⇒ 1000/-

Total cost = 33000/-

Raw weight of CI → 6 kg
6 kg × 4 Nos ⇒ 24 kg

⇒ 24 kg × 90/-

⇒ 2160/-

ALL DIMENSIONS ARE IN mm., UNLESS OTHERWISE SPECIFIED			
SCALE 1:1		WHEEL & SHAFT FOR AGEING OVEN NO-3 (OLD BP4 PRESS)	
JINDAL ALUMINIUM LTD.			
SP-2/333, INDUSTRIAL AREA, BHIMWADI, RAJASTHAN-301019			
DRN.	NAME	DATE	
YIKAS		22.06.23	
CKD.			
APPD.			
DRAWING NO. CHECKING			

RAJPUT INDUSTRY.

BHIWADI, RAJSTHAN,
301019
08HHJPS9548M1Z2

DATE: 05.07.2023

PIN CODE
GST NO.

To

M/s. JINDAL ALUMINIUM LIMITED
Plot No. Sp-2/333 RIICO IND AREA BHIWADI
GST NO - 08AAACJ4324M1ZH

Subject: Quotation

Kind Attn. : Mr. JINDAL ALUMINIUM

→ below ~~price~~ price are find.
→ Material is in SS 310

Respected Sir,
Please check below quotation....

S.No.	Item Name & Discription	HSN	Qty.	Unit	Rate	Amount
1	Wheel Shaft For Aging Oven No 3	7214	20	Set	32400 ✓	648000
G. Total						648000.00

Terms and Condition:

1. GST 18 % Extra

If any query then please let me know.
Thanks with Best Regards,

Sunny Singh
Rajput Industry
Mobile No. 8009453180

CHECK LIST	
DISCOUNT	: Above price are find
PRICE BASIS	: FOR BHIWADI... FOR-JAL
P & F	: INCL...../EXTRA.....
GST/IGST	: 18% Extra
DELIVERY	: 10-days
PAYMENT	: 15-days
GC/WC/TC	: It will be provided
VALIDITY	: -
CHECKED BY :	Vipul
06/07/2023	



Indian Global Sourcing Industries

Factory at J-1265 C Industrial Area Phase-V Bhiwadi Rajasthan India
GSTIN-08BNWPS3197L12S
mail at- vipin@indianglobal.co.in, saurabh.srivastava@indiantrading.in
Mobile-+91 7268087854, 9811600164

QUOTATION

To,		Quotation No.	2223145
M/s	Jindal aluminium LTD Bhiwadi	Date	05.07.23
		Contact Person	Mr Vipin Tiwari
		Contact No	+91 7268087854
		Enq No	EN230701582

Sir, Kind Attn: Mr. We are pleased to quote our lowest possible rate for your perusal & consideration

Sr. No.	JAL MATERIAL CODE	Particulars	HSN Code	Price/Unit	MOQ/Set	Net Rate
1	6740966	WHEEL & SHAFT FOR AGEING OVEN NO-3 (OLD BP-4 PRESS) AS PER DRAWING NO.-BP-AG3-03-A4, WE REQUIRE ONE SHAFT AND 2 WHEEL IN ONE SET (HARDENING & FINISHING)	8207	54,300 32,000/-	20	10,86,000.00
Gross Total						INR 10,86,000.00

Terms Of Delivery	All Tax Extra As Applicable 15-days As Per Requirement As Actual 4-5Week 50% ADVANCE BALANCE 15 DAYS
Tax-Validity Inspection Transport Delivery- Payment:-	Above price are jind

1- SHAFT MATERIAL SS310 AND WHEEL MATERIAL USE C.I
2-
3-
4-
Material is in SS 310
Authorised Sign
Saurabh Srivastava

After discussion with Mr. Indian Global (Vipin) price are final.

CHECK LIST

DISCOUNT : Above price are final

PRICE BASIS : FOR BHIWADI... FOR-JAL

P & F : INCL..... / EXTRA.....

GST/IGST : 18% Extra

DELIVERY : 20-days

PAYMENT : 30% Advance and balance After Mater

GC/WC/TC : T.C will be provide d delivry.

VALIDITY : —

CHECKED BY : Vipin

06/07/23



ISO 9001:2015 Reg. Unit

Golden Engineering & Enterprises

Address: Kamardanga, Pallabpukur, Santragachi, Howrah - 711104
State: WEST BENGAL(19)

GSTIN: 19AESPM2302K2Z7

PAN: AESPM2302K

Mobile: 9830250045

Phone: 033 2667 2449

Website: www.goldenengineering.co.in

Email : golden.mondal@gmail.com

QUOTATION

QUOTATION TO (DETAILS OF RECEIVER) Name: JINDAL ALUMINIUM LIMITED (BHIWADI DIVISION) Address: SP-2/333, RICCO INDUSTRIAL AREA, BHIWADI, ALWAR, BHIWADI, RAJASTHAN, 301019 Mobile: GST No: 08AAACJ4324M1ZH State : RAJASTHAN State Code: 8	Quotation No. :	QUO/Q/237/2023-24
	Date:	05-07-2023
	Ref./PO No. :	EN230701582
	Ref./PO Date :	05-07-2023

S.No.	Item Name Description	HSN/SAC	UoM	Qty	Rate	Dis(%)
1	06740966 WHEEL & SHAFT FOR AGEING OVEN NO-3 (OLD BP-4) AS PER DRAWING NO.-BP-AG3-03-A4.WE REQUIRE ONE SHAFT AND 2 WHEEL IN ONE SET, SHAFT MOC: SS-310 & WHEEL MOC: C.I	8483	Sets	20	52250 Rs → 49637/-	0.00
After discussion with the Party price are final.						

Total	20	1045000	E & O E
-------	----	---------	---------

Terms & Conditions:

RATES - Ex. Works, Howrah.
G.S.T - Extra, 18% as applicable
PAYMENT - 30 days Credit Maximum.
DELIVERY - Within 90 Days
PACKING - Inclusive.
INSPECTION - At Your Side.
VALIDITY -15 days from the date hereof.

CHECK LIST

DISCOUNT : 5% Discount in Above price
PRICE BASIS : FOR BHIWADI FOR JAL
P & F : INCL — / EXTRA —
GST/IGST : 18% Extra
DELIVERY : 30-days
PAYMENT : 30-days
GC/WC/TC : TC will be provided
VALIDITY : —
CHECKED BY : *Vijal*

For Golden Engineering & Enterprises



AN ISO 9001: 2015 CERTIFIED COMPANY

ENGINEERS, MANUFACTURER & FABRICATORS

13/6, NATABAR PAUL ROAD (KADAMTALA) HOWRAH - 711 101. WEST BENGAL

TEL.NO.033-2643-8105, E.MAIL:indroindustries@yahoo.co.in Website: www.indroindustries.com

QUOTATION

QUOTATION NO-II/Q/213/2023-24
REF ENQ. NO. EN230701582

DATE 05.07.2023
DATE 05.07.2023

TO,
M/S. JINDAL ALUMINIUM LIMITED
BANGALORE

Dear Sir,

Thanking you for your above enquiry and we are pleased to submit our lowest best offer. Our terms & conditions are given below.

SL.NO	ITEM CODE.	Materials Description	Quantity	Prices	Per
1.	06740966	WHEEL & SHAFT FOR AGEING OVEN NO-3 (OLD BP-4 PRESS) AS PER DRAWING NO.-BP- AG3-03-A4	20 SET	44,000/- RS 41800/-	EACH

HSN CODE 84834000

We trust our offer will be acceptable to you and will be favored with your valued order.

TERMS & CONDITIONS.

- GOODS & SERVICE TAX : G.S.T. 18% WILL BE CHARGE EXTRA
- TRANSPORTATION : DOOR DELIVERY BASIS.
- PAYMENT : WITH IN 30 DAYS.
- DELIVERY : WITHIN 6-8 WEEKS
- INSPECTION : AT YOUR WORKS
- VALIDITY : 30 DAYS

After discussion with
Mr. Susanta price
are find.

CHECK LIST

DISCOUNT : About price are find

PRICE BASIS : FOR BHIVADI FOR-1A1

P & F : INCL - / EXTRA -

GST/IGST : 18% Extra

DELIVERY : 30-days

PAYMENT : 30-days

GC/WC/TC : TC will be provided

VALIDITY : -

CHECKED BY : Vipul

FOR INDRO INDUSTRIES

SUSANTA BERA
Mobile No. 9831030323

OUR G.S.T. NO. 19AAFFI1702C1ZX