

COMPARATIVE STATEMENT										Dt. 13/02/2023	
ITEM	1) COMPLETE POSITION TRANSDUCER, REXROTH MATERIAL NO:R910901155 SUITABLE FOR REXROTH MAKE AXIAL PISTON PUMP MODELA4VSO- 500-HSE-30-RRPH-13-LOO									QTY- 1 No	JAL/PUR(IMP)/F/
	Indent No.: DI220701417 dt.04-06-2022 (Received to P3 on 08-02-2023)									US \$	82.75
	PLEASE REFER ATTCHED QUOTATION FOR MORE TECHNICAL DETAILS.									Eur	91.80
	Sl no	Supplier Name	Specification & Size	QTY	Unit Price	Payment terms Delivery terms & Period	Total Cost	Total Cost in INR	Appx Exworks +Freight & Clearance	DUTY @ 11% in INR	Total
1	Danfoss Power Germany	Complete Unit as per above detail	1	€ 537.10	100% Adv. Exworks - Germany Lead Time - 2 Weeks at Origin	€ 537.10	49306	40000	9824	99129	₹ 99,129
2	MH Hydraulics, UAE	R910901155, Inductive Speed Sensor	1	€ 523.60	100% Adv. Exworks - Nederland Lead Time - 2-4 Weeks at Origin	€ 523.60	48066	40000	9687	97754	₹ 97,754
3	Sacria Engineers, India	R910901155, Induct. Pos. Transd. A4VS 250-1000	1	₹ 46,200	50% Adv & Bal against delivery. Packing 2.5% extra 10-12 Weeks at India	₹ 46,200	46200	5000	0	51200	₹ 51,200
4	BK Auto India	R910901155, Induct. Pos. Transd. A4VS 250-1000	1	₹ 42,321	100% Adv. Packing 0.5% extra 10-12 Weeks at India Warranty - 6 Months	₹ 42,321	42321	5000	0	47321	₹ 47,321

Last Order Price for Item 1 - INR43622/Pc - through M/s. BK AUTO, Bangalore in the month of Apr- 2021 for DF Factory.

Prep.by: JAYSHEELAN

Jay
13/2/2023.

Checked by: SAMPATH

Sampath
18/2/23

RE: RFQ - DF// PR# DI220701417 - Complete Position Transducer, Rexroth

jcluzon@trisehico.com <jcluzon@trisehico.com>

Mon 2/13/2023 11:50 AM

To: Arokiya Jaysheelan <arokiya.jaysheelan@jindalaluminium.com>

GOOD MORNING

THIS IS OUR OFFER

PRICE 537,10 EUROS
DELIVERY 2 WEEKS FROM ORDER

PRICE EXWORKS

REGARDS

José Carlos Luzón
TRISEHICO ZARAGOZA
Tel: + 34 976 18 99 91
Fax: + 34 976 18 99 81
Móvil: + 34 629 148 000
Web: www.trisehico.com
E-mail: jcluzon@trisehico.com

Danfoss Power Solutions

APPOINTED SALES AND PREMIUN SERVICE PARTNER

De: Arokiya Jaysheelan <arokiya.jaysheelan@jindalaluminium.com>

Enviado el: jueves, 9 de febrero de 2023 6:39

Para: jcluzon@trisehico.com

CC: Rohit Meshram <tlimports@jindalaluminium.com>; Imports <imports@jindalaluminium.com>; JRM Import <jrmimport@jindalaluminium.com>

Asunto: Fw: RFQ – DF// PR# DI220701417 – Complete Position Transducer, Rexroth

Dear José Carlos Luzón, *

Good day to you!!

We have a requirement as follows; please submit your most competitive quotation:

SR. NO.	MATERIAL CODE	MATERIAL DESCRIPTION / SPECIFICATION	ESTIMATED REQUIREMENT	UNIT OF MEASUREMENT
---------	---------------	--------------------------------------	-----------------------	---------------------

QUOTE

SJ230FV00194

Date: 10-02-2023
Your Reference: REXROTH
Our Reference: Y.D.SHETTY/A4VSO500HSE-30-RRPH-13-LOO
Due Date Quote: 10-03-2023
Payment Terms: 100% ON CONFIRMATION
Shipment Method: Ex Works
Page : 1
Print date: 10-2-2023 17:02:57

SJK000312
JINDAL ALUMINIUM LIMITED
16th K.M. Tumkur Road, Jindal Nagar
BANGALORE, IN-560001
INDIA



MH Hydraulics FZC
Bld. A3-016 SAIF-ZONE Sharjah
PO.BOX123123 SAIF-ZONE Sharjah
UNITED ARAB EMIRATES
T + 971 65489088
F + 971 65489088
E sales@mhhdraulics.ae
W www.mhhdraulics.ae

Line	No. / Description	Delivery Time	Quantity	Unit Price	Amount EUR
10	103235 / R910901155 INDUCTIVE SPEED SENSOR	1PC	1	ST 453,60	453,60
20	PACKING CHARGES PACKING CHARGES		1	ST 35,00	35,00
30	BANK CHARGES BANK CHARGES HS CODE: 8412 9040 NOTE : QUOTED ITEM IS AS PER REXROTH NO.MENTIONED IN ENQUIRY MAKE: REXROTH / GERMANY		1	ST 35,00	35,00

We hope this quotation will meet your requirements
and look forward to hearing from you.

TERMS AND CONDITIONS :
DELIVERY TERMS: EXWORKS MH NETHERLANDS
PAYMENT TERMS: 100% IN ADVANCE

Certificate of Origin/legalize, will be
charged with a minimum amount of 75,00 EUR.

Delivery times are subject to prior sales.

Total EUR 523,60

Headoffice : MH Hydraulics B.V. Laanweg 14 3208 LC Spijkensse The Netherlands
AI Quasimiya, Sharjah AED: IBAN: AE330351061321993906016 BIC: NBADAEAA EUR: IBAN: AE210351061321993906038 BIC: NBADAEAA

TRN 100326549100003
All our quotations, all orders placed with us and all contracts concluded with us, are subject to the METAALUNIE CONDITIONS, as they read according to the text printed on the back. Upon request, the conditions of delivery and payment will be sent to you for free as well.



QUOTATION

Your Ref :
Our Ref : QTN-2302K1234-022-23
To : **JINDAL ALUMINIUM Dobaspet**
No. 345,, Ground Floor, Venkateshwara
KIADB Idl Area
Yedehalli Villege
Tumkur Road
Dobbaspet
Nelmangala Taluk
Bangalore Rural District

Date : 9-Feb-23

Dear Sir / Madam

With reference to your enquiry for procurement of components. please find the details of the quote below

Sl No	Part Description	HSN	Quantity	Price/Pc in INR	Amount	Tentative Delivery
1	R910901155 INDUCT.POS.TRANS. A4VS 250-1000	84139190	1.00	46200.00	46200.00	10-12 Weeks
					Totals	46200.00

Other Terms

1.	validity	Prices are valid for 30 days.
2.	Duties & Taxes	18% GST applicable as per HSN code.
3.	Delivery	Subject to confirmation from our principal after receipt of PO.
4.	Payment terms	50% advance payment along with PO , balance against the delivery
5.	Freight & Insurance	To your account
6.	P&F	2.5 %

Ex-Stocks (Immediate) items are subject to prior sales.

* Please ensure technical suitability before ordering

* Order once placed cannot be changed or cancelled.

We trust you will find our offer competitive. If you require any further information,

please do contact us. We look forward for your valuable order & continued business relationship.

Thanking You

Yours faithfully,

For Sacria Engineering Private Limited

Kavya Gowda

(809555113/114/108)

Office: #227,10th Cross, Vidyagiri Layout, Nagarbhavi, Bengaluru 560072

GST no: 29AARCS0644L1ZQ

RE: RFQ - DF// PR# DI220701417 - Complete Position Transducer, Rexroth

Kiran <contact@bkauto.in>

Thu 2/9/2023 12:23 PM

To: Arokiya Jaysheelan <arokiya.jaysheelan@jindalaluminium.com>

Cc: Rohit Meshram <tlimports@jindalaluminium.com>; Imports <imports@jindalaluminium.com>; JRM Import <jrmimport@jindalaluminium.com>

Dear sir,

We thank you for enquiry, Please find below price for your consideration.

sl.no.	Description	Qty	Rate/Unit	Discount	Delivery
1	R910901155 INDUCT.POS.TRANS D. A4VS 250-1000	1 NOS	47,552.00	11%	14-16 WEEKS

Terms & conditions:

Price : Ex-works, Bangalore

GST : GST @ 18% extra

Payment : 100% against prof. invoice

P & F : 0.5% extra

Delivery : As stated above & subject to current stock levels

Freight : To pay basis

Insurance : In your scope. You are requested to arrange proper insurance to

claim transit damage if any occur during transportation.

Validity : 30 Days

Warranty : 6 months against any manufacturing defect. In case of any problem

product is to be sent to manufacturer through us. No warranty shall

be entertained for failure due to mis-handling , mis-alignment ,

oil contamination & cavitations.

We hope you find our offer attractive and await receiving your valuable order.

Regards,

KIRAN

BK auto centre

2/F, #338 BTM Layout 6th stage, Arekere, Bangalore – 560 076

Ph: 080-26481400/1411

Mob: +91 6366305030

Email: contact@bkauto.in, website: www.bkauto.in

From: Arokiya Jaysheelan [mailto:arokiya.jaysheelan@jindalaluminium.com]

Sent: Thursday, February 09, 2023 11:06 AM

To: Kiran

Cc: Rohit Meshram; Imports; JRM Import

Subject: RFQ – DF// PR# DI220701417 – Complete Position Transducer, Rexroth

Dear Mr. Kiran,

Jindal Aluminium Limited
 Bhiwadi Division
 BHIWADI - 301019

PURCHASE INDENT

Format : JAL/RMD/STO/F/04

Indent No : DI220701417
 P-TYPE : P3
 Status : **PROCUREMENT**

Indent Date : 04-Jul-2022
 Department : ELECTRICAL MAINTEN
 Indent Type : DEPARTMENT

Please supply/procure the following materials

REVENUE EXPENSE

S.No	Item Code Description & Make Spl Description	P- TYPE	Justification	----- Q U A N T I T Y -----			Expected Date/ Urgency/Brand/ CMD Approved
				Stock on hand	UOM	To be Purchased	
1	07520011 LINEAR VARIABLE DIFFERENTIAL TRANSFORMER (LVDT) FOR DIGITAL DISPLACEMENT INDCTR. Spcl Desc: COMPLETE POSITION TRANSDUCER, REXROTH MATERIAL NO: R910901155 SUITABLE FOR REXROTH MAKE AXIAL PISTON PUMP MODEL- A4VSO-500-HSE-30-RRPH-13-LOO Note to buyer : DRAWING OF LVDT ATTACHED	P3	FOR BP1 TO BP4 PRESS/SPARE	0.00	NOS	1.00	13-Jul-2022 N N N 31000.00
				P00006201410 EXTURSION PLANT/P4 (PRESS)			

** If it is Urgent indicate accordingly

Indent by : VIKRAM JEET

Approved By :

Head of Dept : VIKRAM JEET

Store Manager's Remarks & Signature

Approximate Value 31000.00

BK Auto - 43622 / on 2/4/2021 - DF

08-Feb-2023

4:31:18PM

Spare parts list

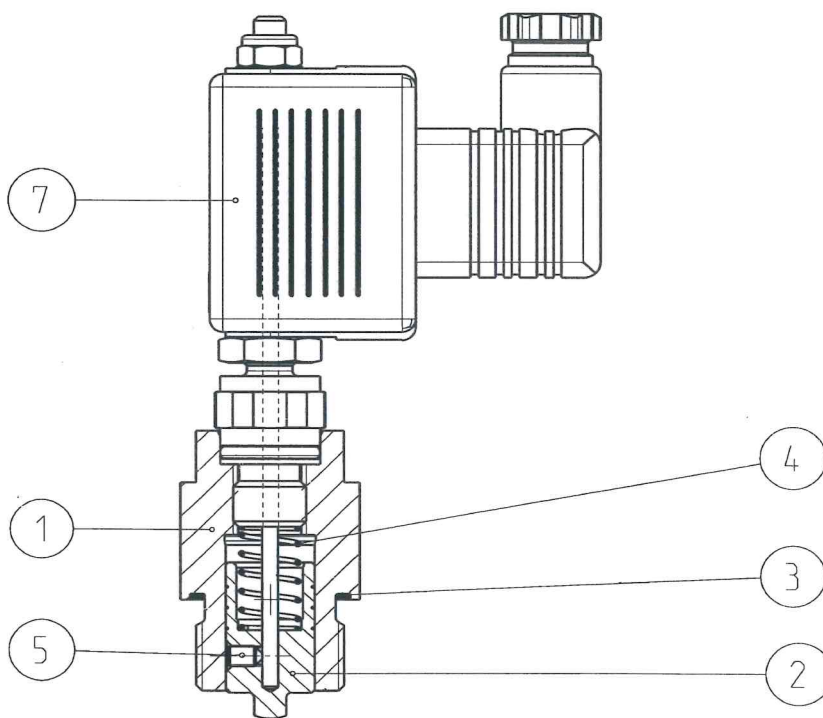
Material number: R910901155
 Drawing: R902547416
 Designation: INDUCTIVE POS.TRANSDUCER
 INDUCT.POS.TRANSD. A4VS 250-1000

Bosch Rexroth AG
 Service Hydraulics
 Glockeraustrasse 4
 89275 Elchingen
 Germany
 +49 (0)7308/82-2126

Status of version: 06/2016

Date: 25.07.2016

Page: 2



L = Assembly group D = Sealing element

Security notice:

Assembly, commissioning and operation, disassembly, service (including maintenance and repair) require basic mechanical/electrical/hydraulic/pneumatic knowledge, as well as knowledge of the appropriate technical terms. In order to ensure operating safety, these activities may therefore only be carried out by qualified technical personnel or an instructed person under the direction and supervision of qualified personnel. Qualified personnel are those who can recognize possible hazards and institute the appropriate safety measures due to their professional training, knowledge, and experience, as well as their understanding of the relevant conditions pertaining to the work to be done. Qualified personnel must observe the rules relevant to the subject area. Also observe the generally applicable, legal or otherwise binding regulations of the European or national legislation and the rules for the prevention of accidents and for environmental protection applicable in your country. The data specified above only serve to describe the product. No statements concerning a certain condition or suitability for a certain application can be derived from our information. The given information does not release the user from the obligation of own judgement and verification. It must be remembered that our products are subject to a natural process of wear and aging.

©This document, as well as the data, specifications and other information set forth in it, are the exclusive property of Bosch Rexroth AG. Without their consent it may not be reproduced or given to third parties.