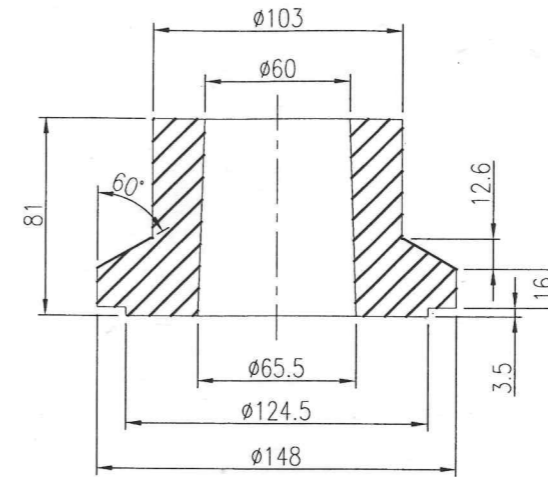
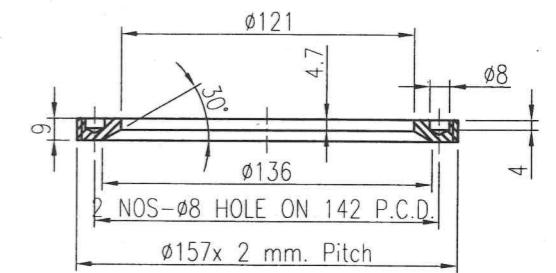


SEC-AA

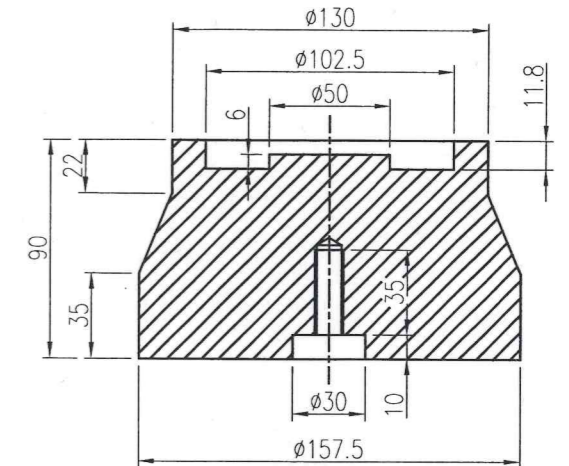
BOTTOM BODY
MATERIAL:-ALUMINIUM
PART NO-1



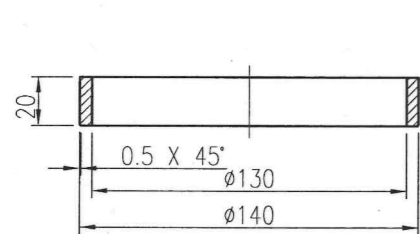
BOWL
MAT'L :- CERMIC
DENSITY :- 0.9 TO 1.0 gm/cm3
PART NO-5



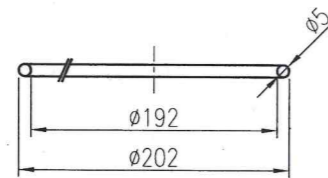
LOCKING RING
MATL :- M.S.(C.P.)
PART NO-3



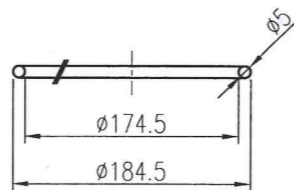
SHOE
MATERIAL:-EN8
PART NO-8



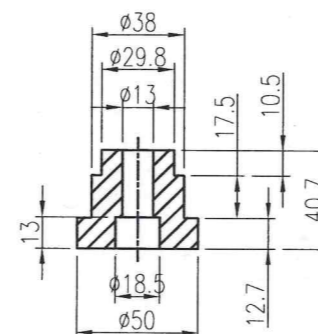
CARBON RING
MAT'L-GRAPHITE
PART NO-4



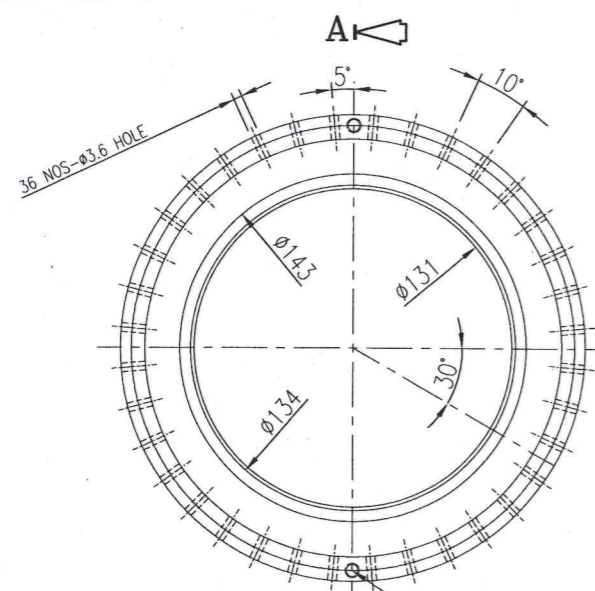
'O' RING
PART NO-7



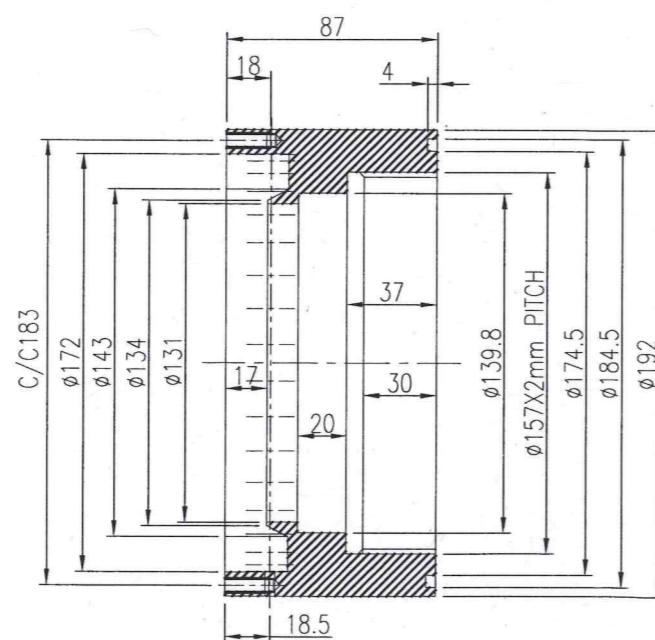
'O' RING
PART NO-6



LOCK
MATERIAL:-EN8
PART NO-9

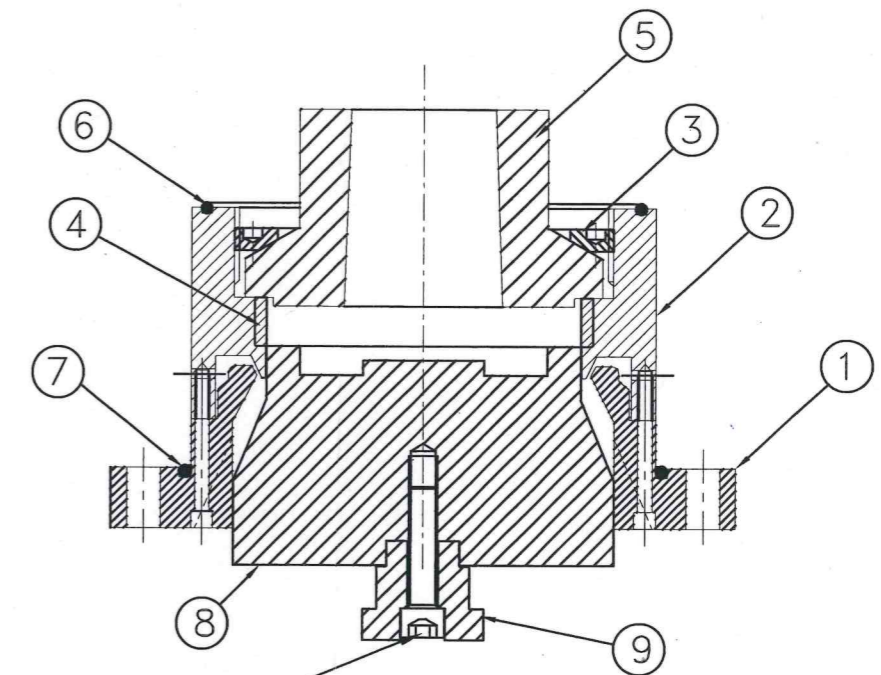


2 NOS-M6 TAPPED HOLE
 ON 183 PCD



SEC - CC

TOP BODY
MATERIAL:-ALUMINIUM
PART NO-2



ALLEN BOLT M12 ASSLY. VIEW

JINDAL ALUMINIUM LTD.		NAME	DATE
SP-2/333, INDUSTRIAL AREA, BHIWADI, RAJASTHAN-301019		DRN. VIKAS	29.06.22
ALL DIMENSIONS ARE IN mm., UNLESS OTHERWISE SPECIFIED		CKD.	05/07/2022
SCALE 1:1		APPD.	05/4/22
ASSEMBLY & DETAIL OF Ø5" MOULD (NEW)		DRAWING NO. FR-BP-42-A2	