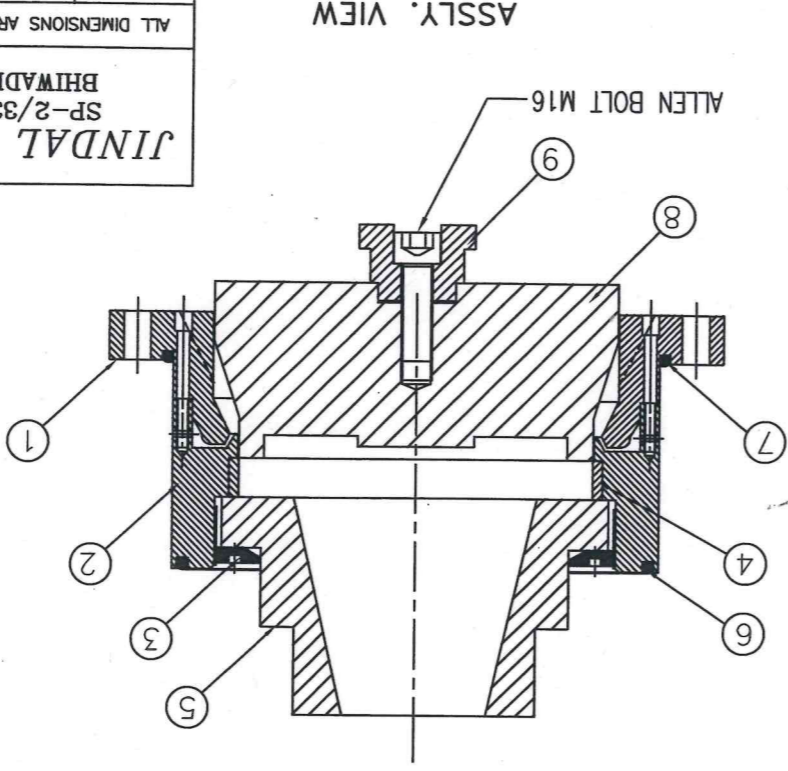
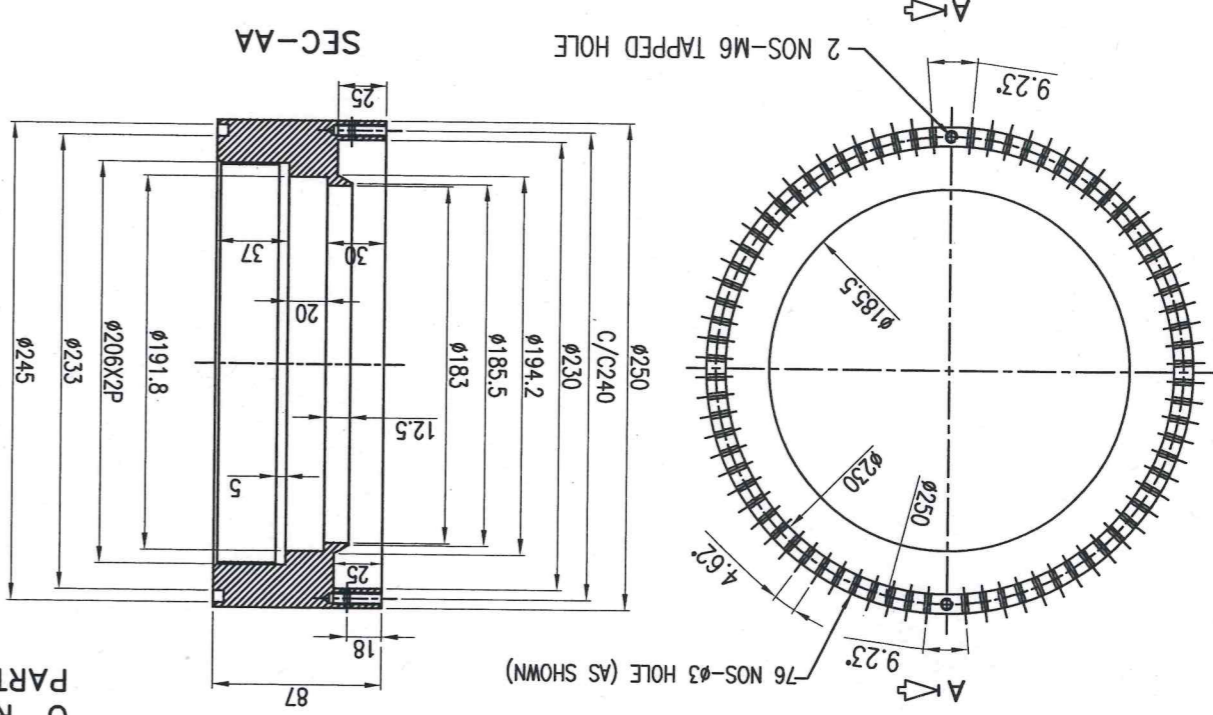


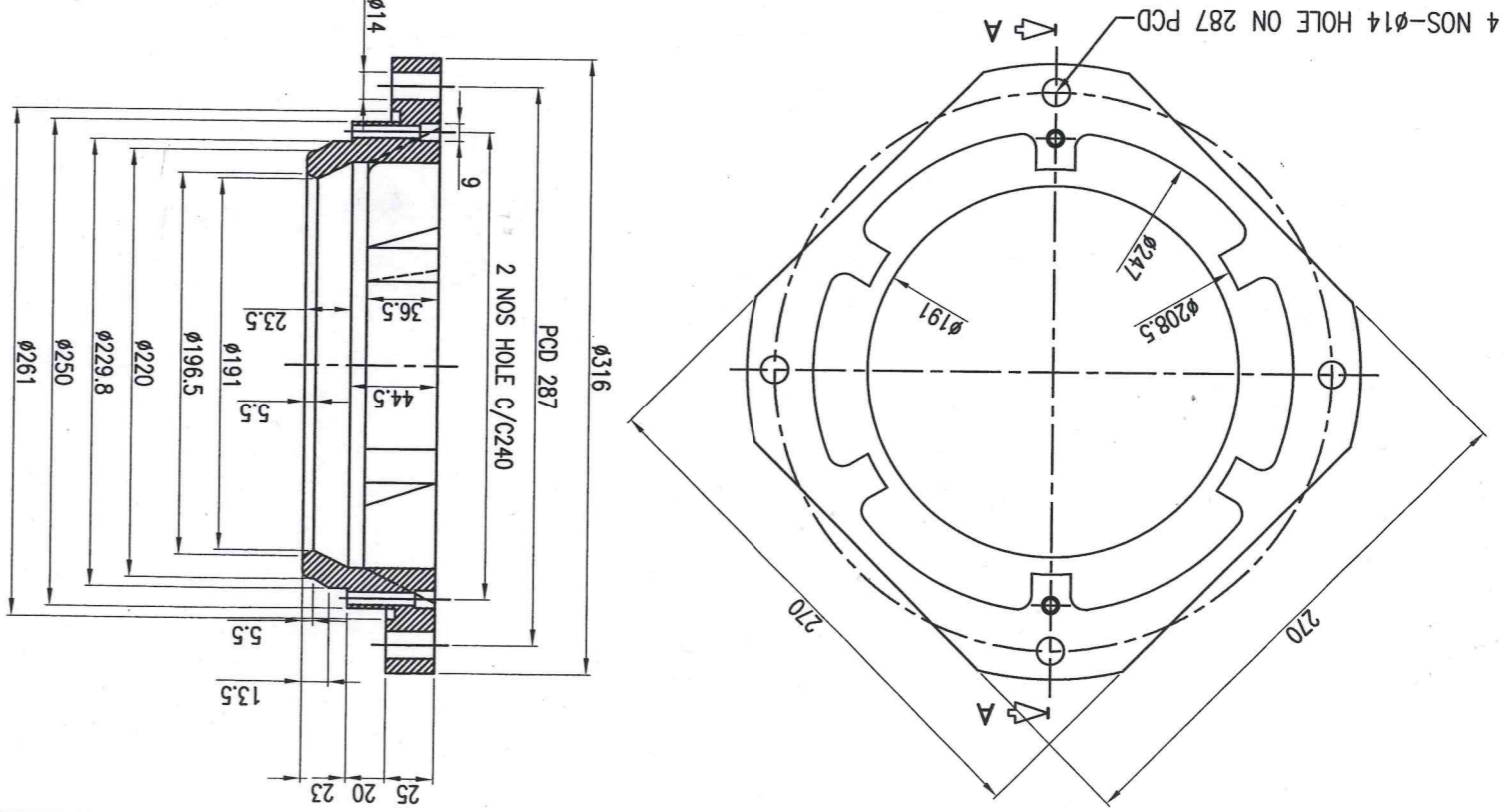
FR-BP-43-A2	DRAWING NO.		ASSEMBLY & DETAIL		FOR $\phi 7$ MOULD WITH SHOE(NEW)	
DATE	NAME	DRN.	CKD.	APPD.	ALL DIMENSIONS ARE IN mm., UNLESS OTHERWISE SPECIFIED	
29.06.22	VIKAS				SCALE 1:1	
<b>JINDAL ALUMINIUM LTD.</b> SP-2/333, INDUSTRIAL AREA, BHIWADI, RAJASTHAN-301019						



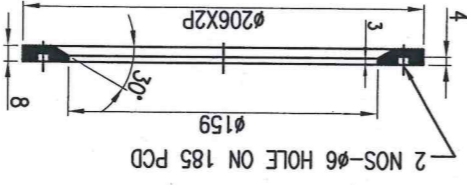
TOP BODY  
MATERIAL:-ALUMINIUM  
PART NO-2



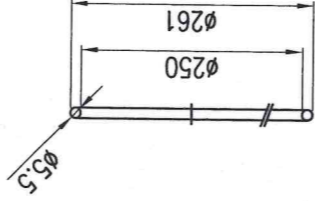
BOTTOM BODY  
MATERIAL:-ALUMINIUM  
PART NO-1



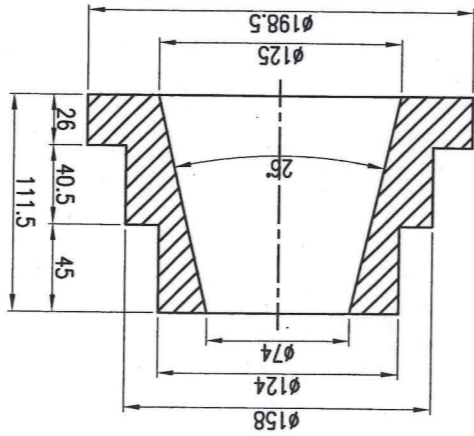
LOCKING RING  
MATERIAL:- M.S.(C.P.)  
PART NO-3



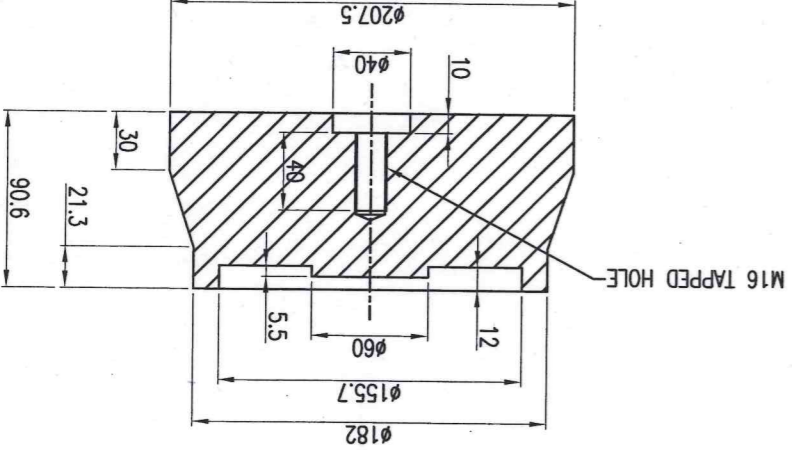
'O' RING  
PART NO-7



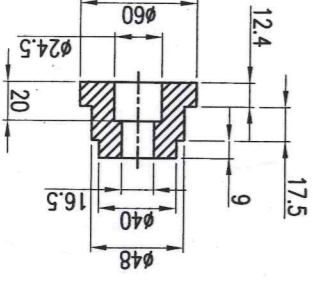
CERMIC BOWL  
MATERIAL:-CERMIC  
DENSITY:-0.9 TO 1.0 gm/cm<sup>3</sup>  
PART NO-5



SHOE  
MATERIAL:-EN8  
PART NO-8



LOCK  
MATERIAL:-EN8  
PART NO-9



GRAPHITE RING  
MATERIAL:-GRAPHITE  
DENSITY:-2.25 gm/cm<sup>3</sup>  
PART NO-4

