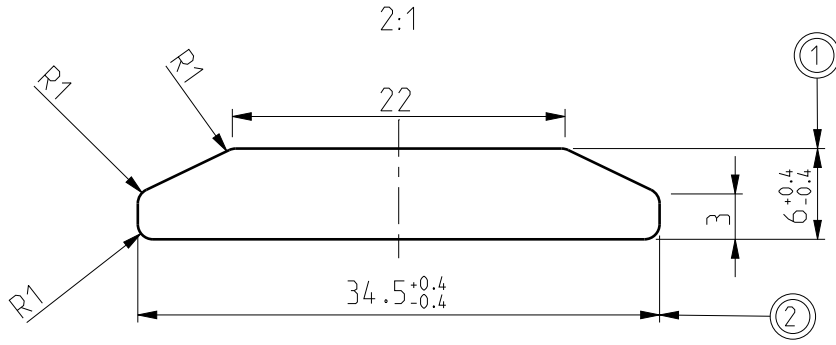


ID	Description	Date	By	Appr.
A	New drawing	14.06.2016	KVu	MSa

Q00039



Tolerance:	SFS-EN 755-9
Hardness:	95-115 HB

Symbol	Instruction of the Symbol	No. of Dim
	Basic Dimension. To be measured in full measurement of part	-
	Cpk dimension. To be measured in process capability study	-
	SPC dimension. To be measured during production	2

Note: All numbered dimensions are to be measured in full measurement

Model RABP292 .PART [A]
 Drawing RABP292 .dwt
 >0.5 <=3 ±0,1
 >6 =30 ±0,2
 >30 =120 ±0,3
 >120 =400 ±0,5
 >400 <=1000 ±0,8
 Tolerance ISO 2768-m

Part	Code	Description	Pcs	Weight (g)/pcs
Supplier: -	Tool No: -	Volume -	Weight (g)	2034
Material: EN AW -6082 T6		Ensto Mat: -		
 Ensto Finland Oy Ensto Utility Networks		 Al-Profiili Aw-6082 T6 - 7034	Replaces:	4034164
Scale 1:50			Replaced:	
Date 08.06.16	By KVU		Drw No:	000304731 A
Checked			Ref:	PSS516
Sheet No: 1 (2)	Ctrl		Code:	RABP292