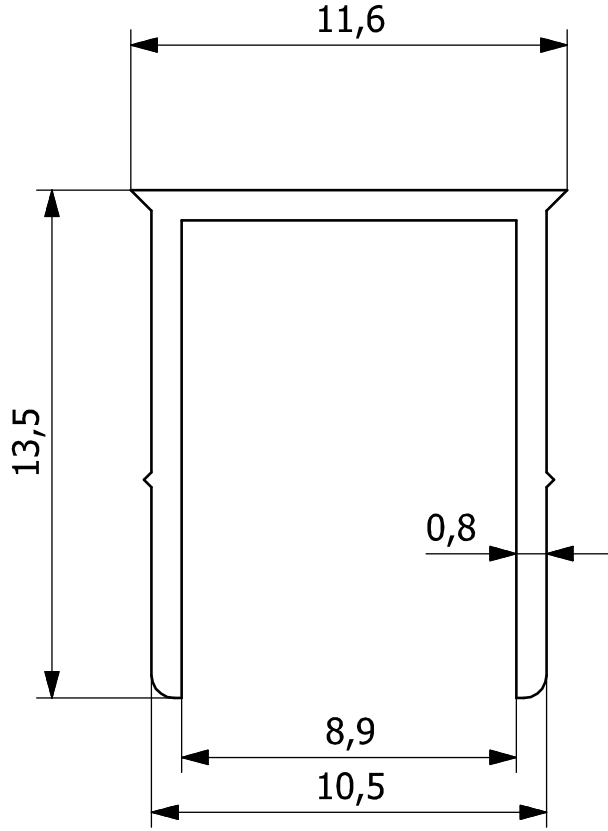


Surface Area = 0000 dm ^ 2

CRITICAL CHARACTERISTICS SPECIAL CHARACTERISTICS

Q00105



Unspecified General Tolerance For Linear Dimensions					
Length	0,5 - 6	6 - 30	30 - 120	120 - 400	400 - 1000
Tolerance	±0.10	±0.20	±0.30	±0.50	±0.80
Unspecified General Tolerance For Radial & Chamfers					
Length	0,5 - 3	3 - 6	Over 6		
Tolerance	±0.20	±0.50	±1.00		
Unspecified General Tolerance For Angular Dimensions					
Length	Up to 10	10 - 50	50 - 120	120 - 400	Over 400
Tolerance	± 1°	± 0° 30'	± 0° 20'	± 0° 10'	± 0° 5'

Rev.	Revision Note	Date	Drn.By	App.
------	---------------	------	--------	------

DRN. BY		METAL _ ALUMINUM	PRODUCT FAMILY _ ALUMINUM PROFILE	
CHD. BY		GRADE _ ALUMINUM	TITLE _ CHANNEL CLIP	
APP. BY		FINISH _ AS PER REQ.		
 Plot No.- 3, Sector- M 11, IMT Manesar(INDIA)		WT. (APPX.) _		
		SCALE _ NTS	DRAWING NO. _	
		ALL DIMENSIONS ARE IN MM	REV. NO. _ 00	
			SHEET 1 OF 1	