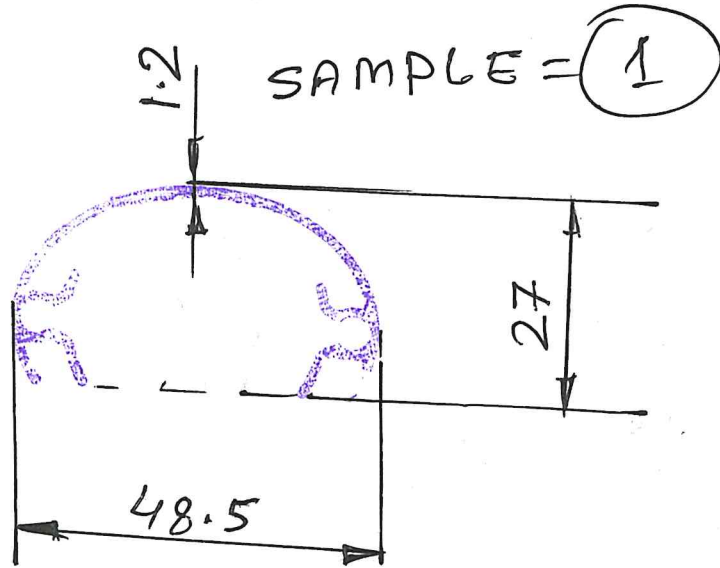


Q00008

M/s. ANTACTRICA EQUIPMENT

Date: -13-4-2022



Q00009

