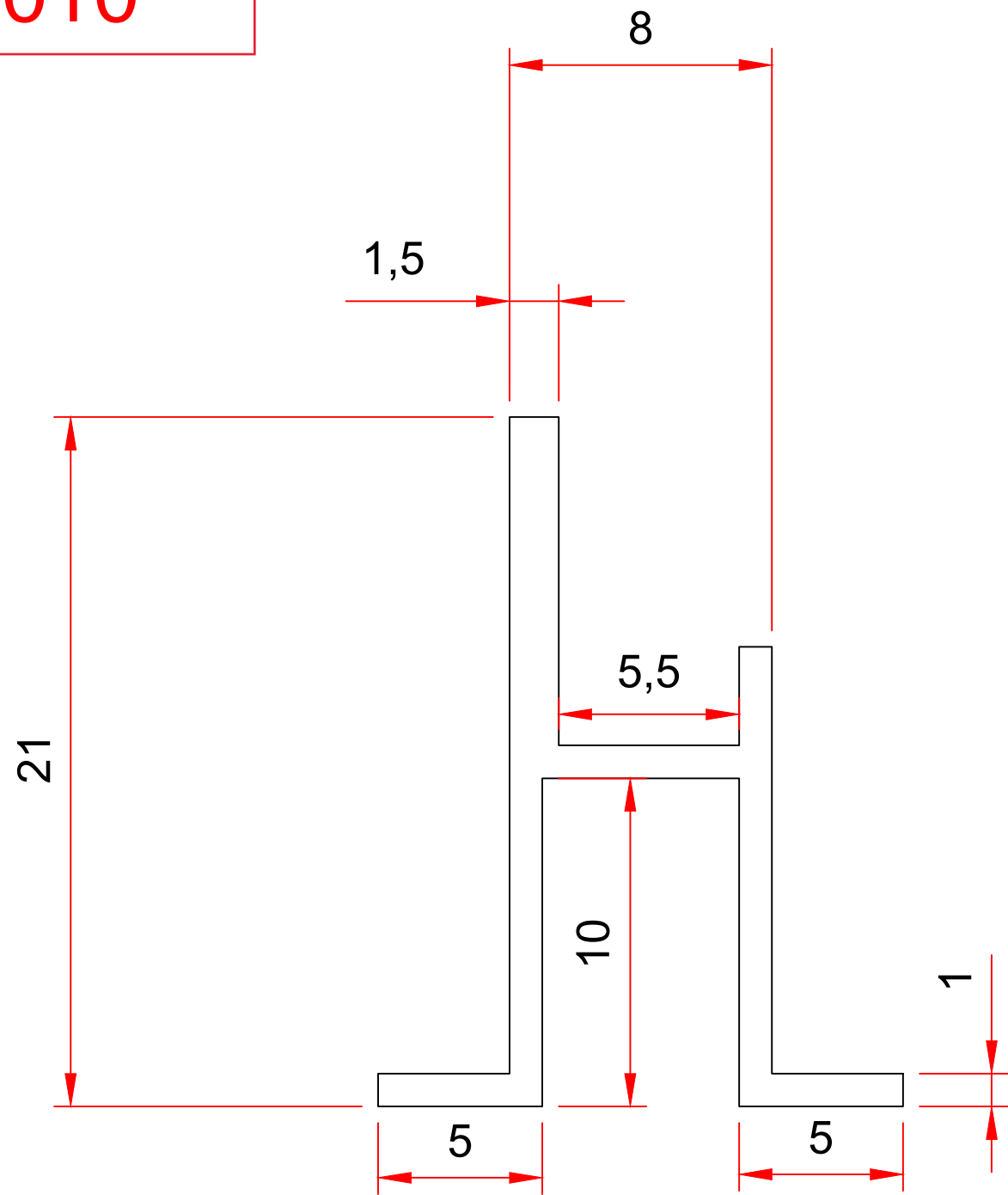
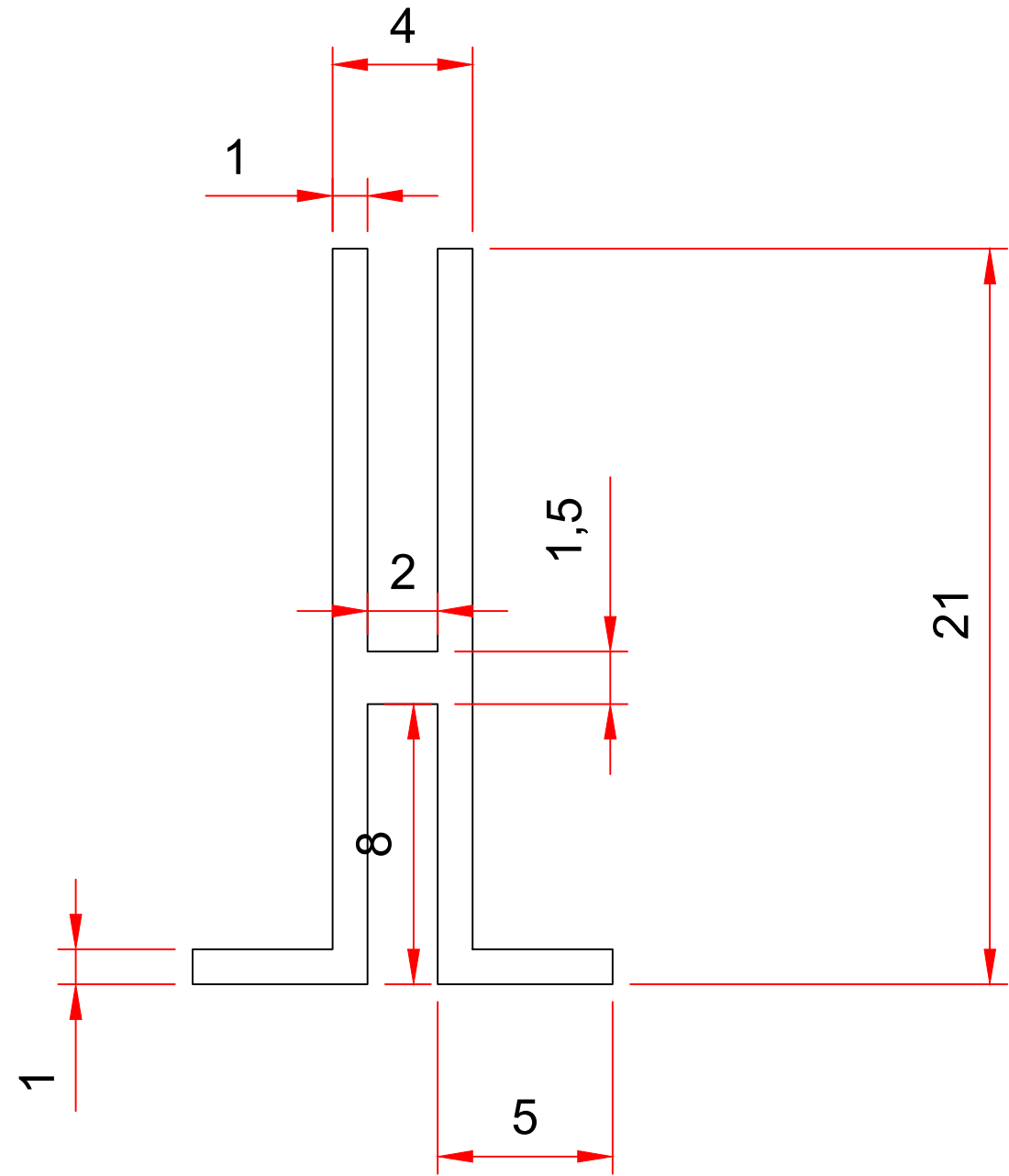


Q00010

Q00011



Hat shape profile
with 8mm width & 10mm depth



Hat shape profile
with 4mm width & 8mm depth

AL AA6063 T6