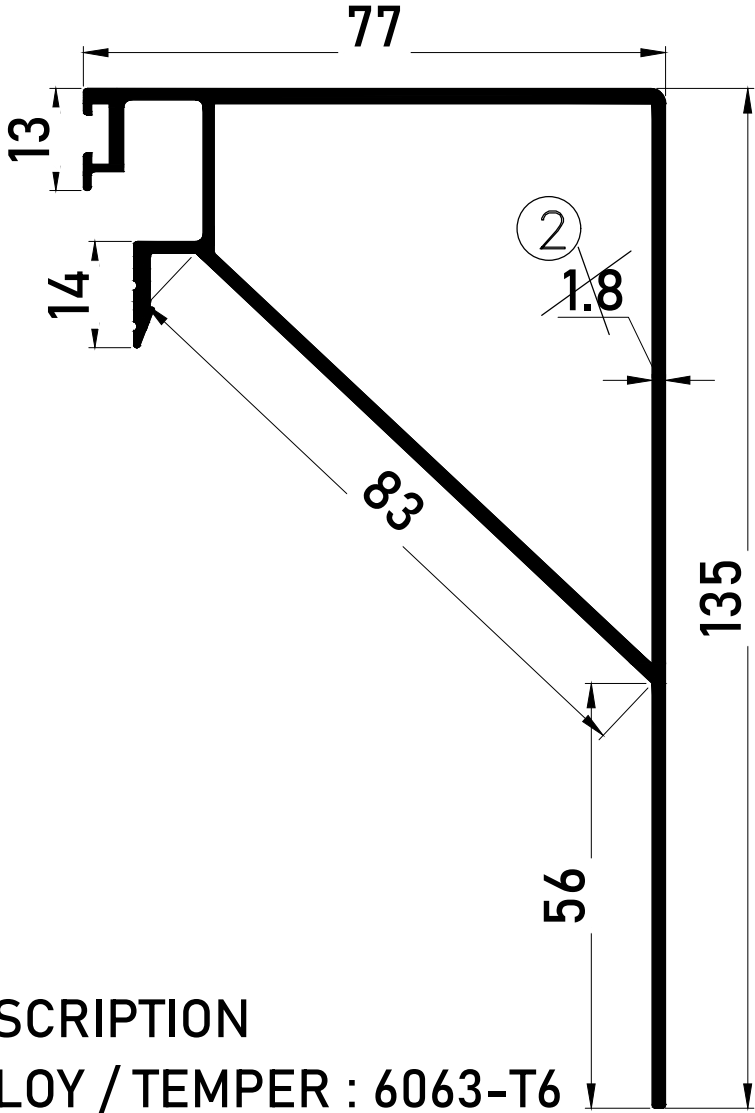


ALUMINIUM EXTRUDED SKIRTING PROFILE

Q01565 ALLOY 6063 T6

PROPOSED DRAWING



DESCRIPTION
ALLOY / TEMPER : 6063-T6
LOCATION : -UCW
WEIGHT : 1.701 Kg/m
AREA : 625.431
I-VALUE : 000000