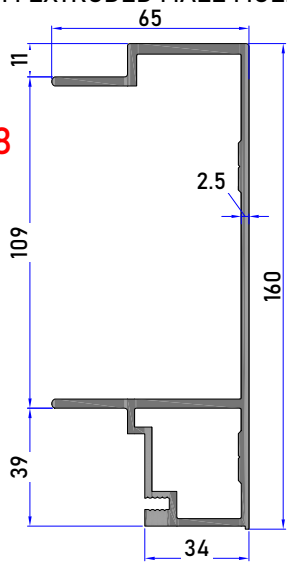


ALUMINIUM EXTRUDED MALE MULLION

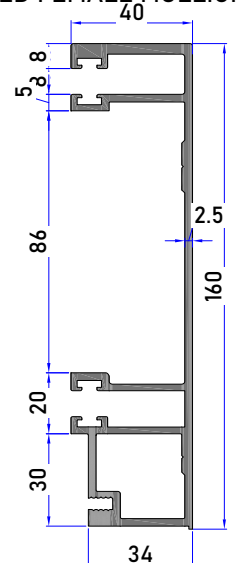
Q01558



DESCRIPTION
ALLOY / TEMPER : 6063-T6
LOCATION : -UCW
WEIGHT : 2.919 Kg/m
AREA : 1073.218
I-VALUE : 000000

ALUMINIUM EXTRUDED FEMALE MULLION

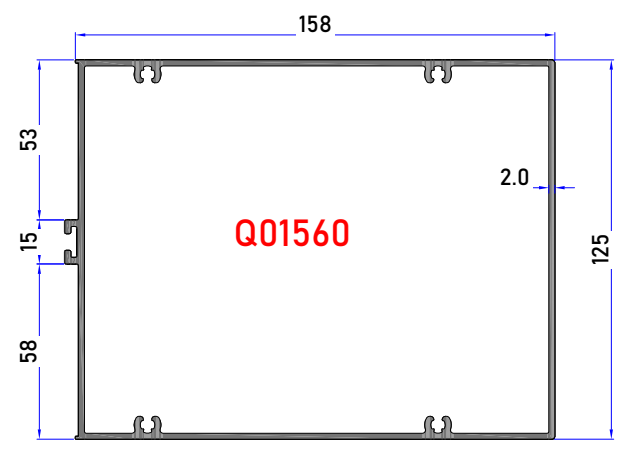
Q01559



DESCRIPTION
ALLOY / TEMPER : 6063-T6
LOCATION : -UCW
WEIGHT : 2.919 Kg/m
AREA : 1073.218
I-VALUE : 000000

ALUM. EXTRUDED TRANSOM PROFILE

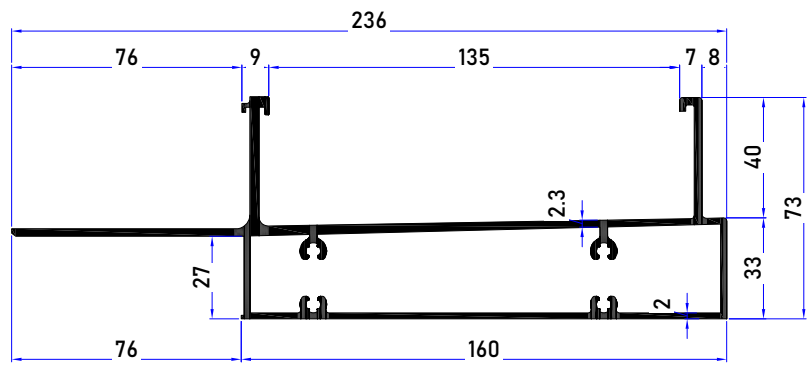
Q01560



DESCRIPTION
ALLOY / TEMPER : 6063-T6
LOCATION : -UCW
WEIGHT : 3.406 Kg/m
AREA : 1252.410
I-VALUE : 000000

ALUMINIUM EXTRUDED TOP TRANSOM

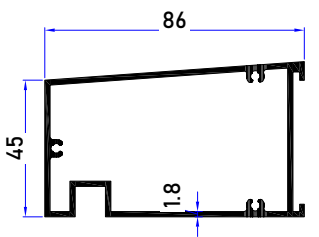
Q01561



DESCRIPTION
ALLOY / TEMPER : 6063-T6
LOCATION : -UCW
WEIGHT : 3.8583 Kg/m
AREA : 1429.946
I-VALUE : 000000

ALUMINIUM EXTRUDED FIN PROFILE-2

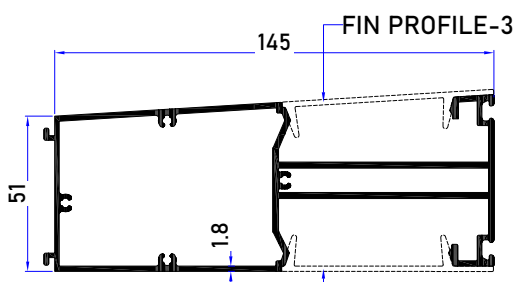
Q01562



DESCRIPTION
ALLOY / TEMPER : 6063-T6
LOCATION : -UCW
WEIGHT : 1.461 Kg/m
AREA : 541.33
I-VALUE : 000000

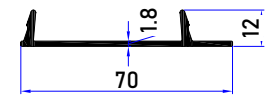
ALUMINUM EXTRUDED FIN PROFILE-1

DESCRIPTION
ALLOY / TEMPER : 6063-T6
LOCATION : -UCW
WEIGHT : 2.614 Kg/m
AREA : 961.22
I-VALUE : 000000



Q01563

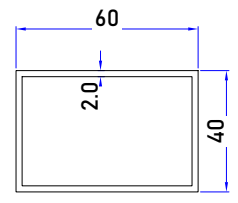
ALUMINUM EXTRUDED FIN PROFILE-3



DESCRIPTION
ALLOY / TEMPER : 6063-T6
LOCATION : -UCW
WEIGHT : 0.461 Kg/m
AREA : 169.744
I-VALUE : 000000

Q01585

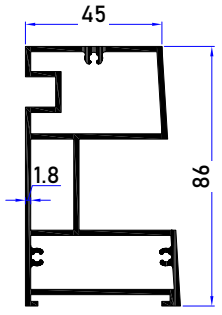
ALUMINIUM EXTRUDED TUBE



DESCRIPTION
ALLOY / TEMPER : 6063-T6
LOCATION : -TYPICAL
WEIGHT : 1.0368 Kg/m
AREA : 418.080
I-VALUE : 000000

ALUMINIUM EXTRUDED FIN PROFILE-4

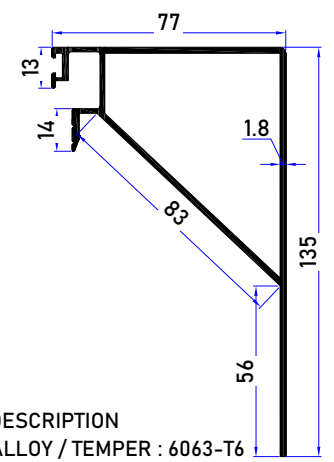
Q01564



DESCRIPTION
ALLOY / TEMPER : 6063-T6
LOCATION : -UCW
WEIGHT : 1.90 Kg/m
AREA : 698.848
I-VALUE : 000000

ALUMINIUM EXTRUDED SKIRTING PROFILE

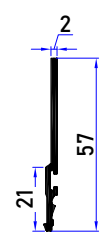
Q01565



DESCRIPTION
ALLOY / TEMPER : 6063-T6
LOCATION : -UCW
WEIGHT : 1.701 Kg/m
AREA : 625.431
I-VALUE : 000000

ALUMINIUM EXTRUDED GLASS GARDE

Q01566



DESCRIPTION
ALLOY / TEMPER : 6063-T6
LOCATION : -UCW
WEIGHT : 0.327 Kg/m
AREA : 120.466
I-VALUE : 000000