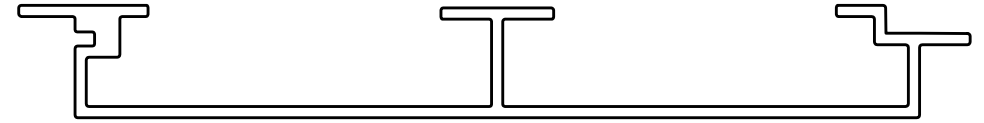


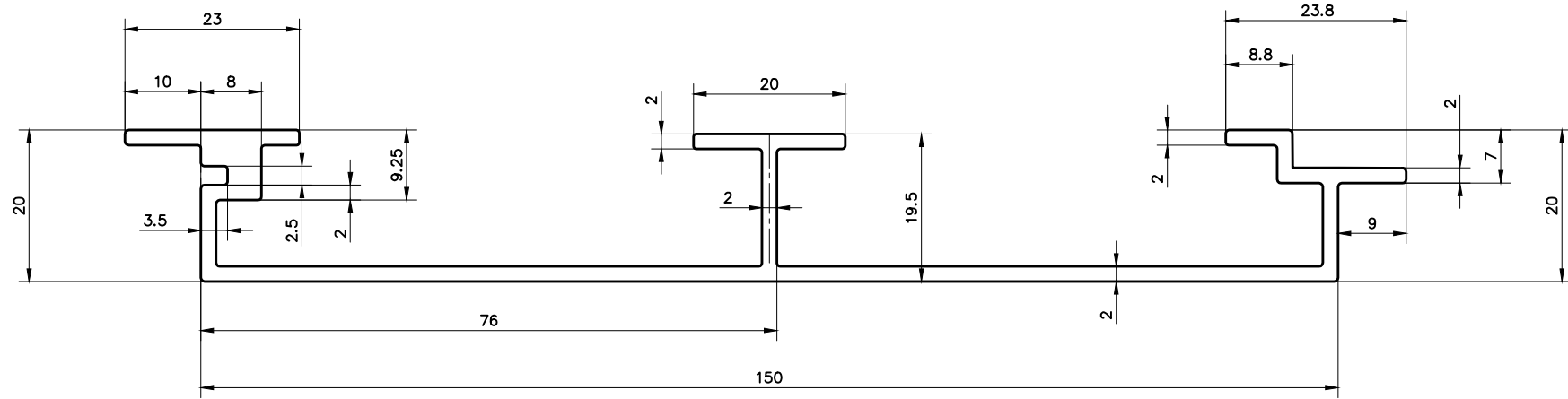
BEFORE APPROVAL CHECK ALL DIMENSIONS PROPERLY


PROPOSED DRAWING

Q00514



SCALE 1:1



 SYMBOL OF QUALITY AN ISO 9001 COMPANY	JINDAL ALUMINIUM LTD. BHIWADI-301019 (INDIA)		NAME	DATE
			DRAWN	ASHUTOSH
1. ALL DIMENSIONS ARE IN mm. 2. ROUND OFF ALL SHARP CORNERS WITH 0.40 mm. 3. TOLERANCES WILL BE AS PER BS:EN-755-9, UNLESS OTHERWISE SPECIFIED			CHECKED	
			APPROVED	
PARTY'S NAME M/s. FABRICASTO PRIVATE LIMITED			SCALE	1:1&1.5:1
			AREA mm ²	563.36
PARTY'S DRAWING No. AS PER DRAWING-33 (Q00514)			PERIMETER mm.	533.19
			WEIGHT kg/m	1.521
ALLOY & TEMPER 6063-T6			DRAWING No.	SECTION No.
DESCRIPTION -				