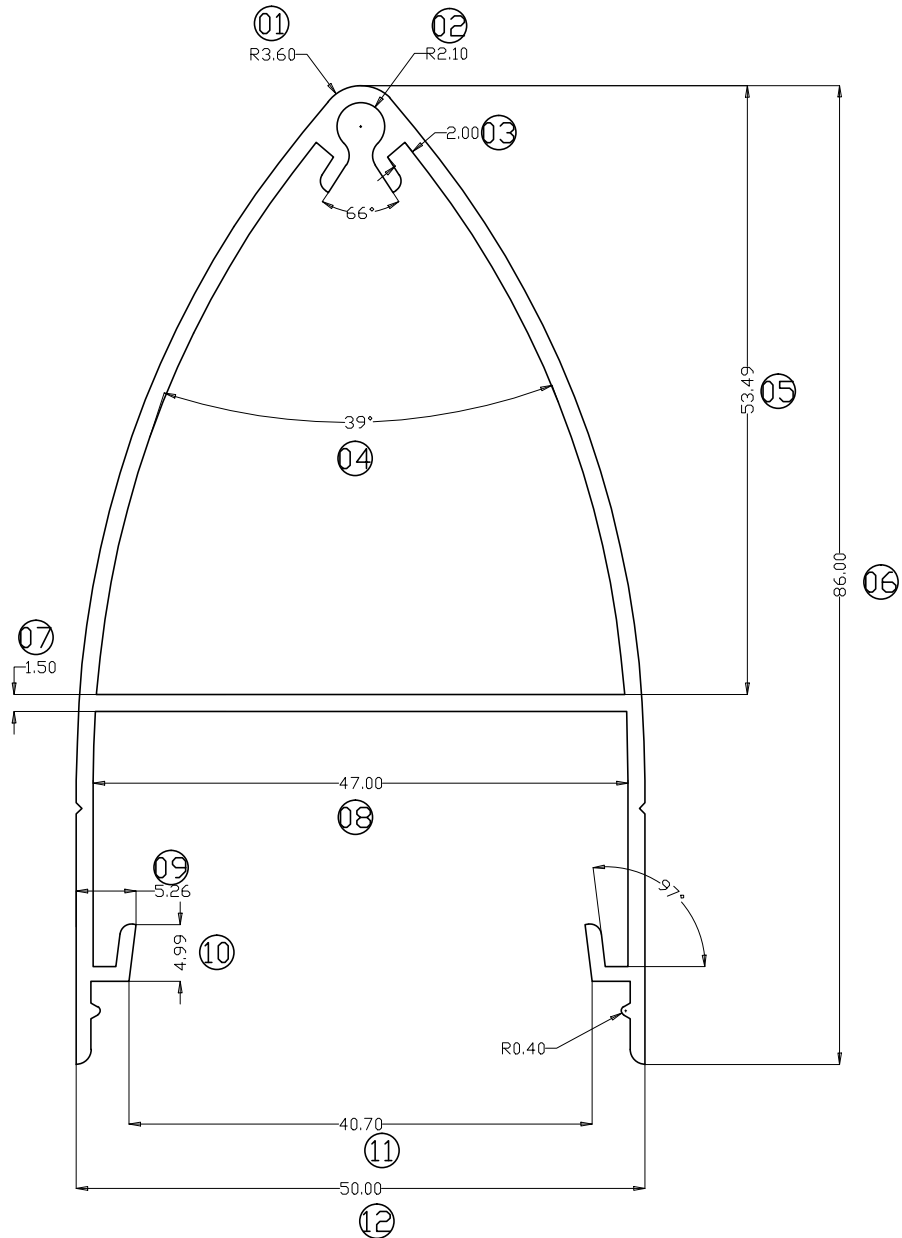


# Q00018

DO NOT SCALE DRAWING

1st ANGLE



Revision made by	Revision details:	-	-	
Description.		INNER PROFILE FOR 7/47 FACADE SYSTEM		
Material	ALUMINUM 6060T6	Specification	EN 755-2:1997	
Colour / Finish	MILL FINISH	-	-	-
Area (flexible)	-	I xx value	-	Unspecified tolerance ±0.3 mm
Weight (flexible)	-	I yy value	-	Unspecified radii R 1.0 mm
Area (rigid)	-	V dimension	-	Unspecified radii r 0.2 mm
Weight (rigid)	-	Outer wall thickness	-	Drawn by RD
Total area	378.160mm <sup>2</sup>	Main wall thickness	1.2+0.1,-0.2 mm	Drawing date 2021.12.14
Total Weight (MGW)	-	Inner wall thickness	-	Drawing issue A
Length	7.0M+50 MM	Angular tolerance	90°±0.5°	Part Number <b>EEAFCF003</b>
Scale 1:1 (3:1)		Concave/convex	0.3 mm	
ENCRAFT India Pvt. Ltd		© This drawing is the intellectual property of ENCRAFT India Pvt. Ltd and shall not be copied without written consent.		
Form NO. EN_D_F0006				