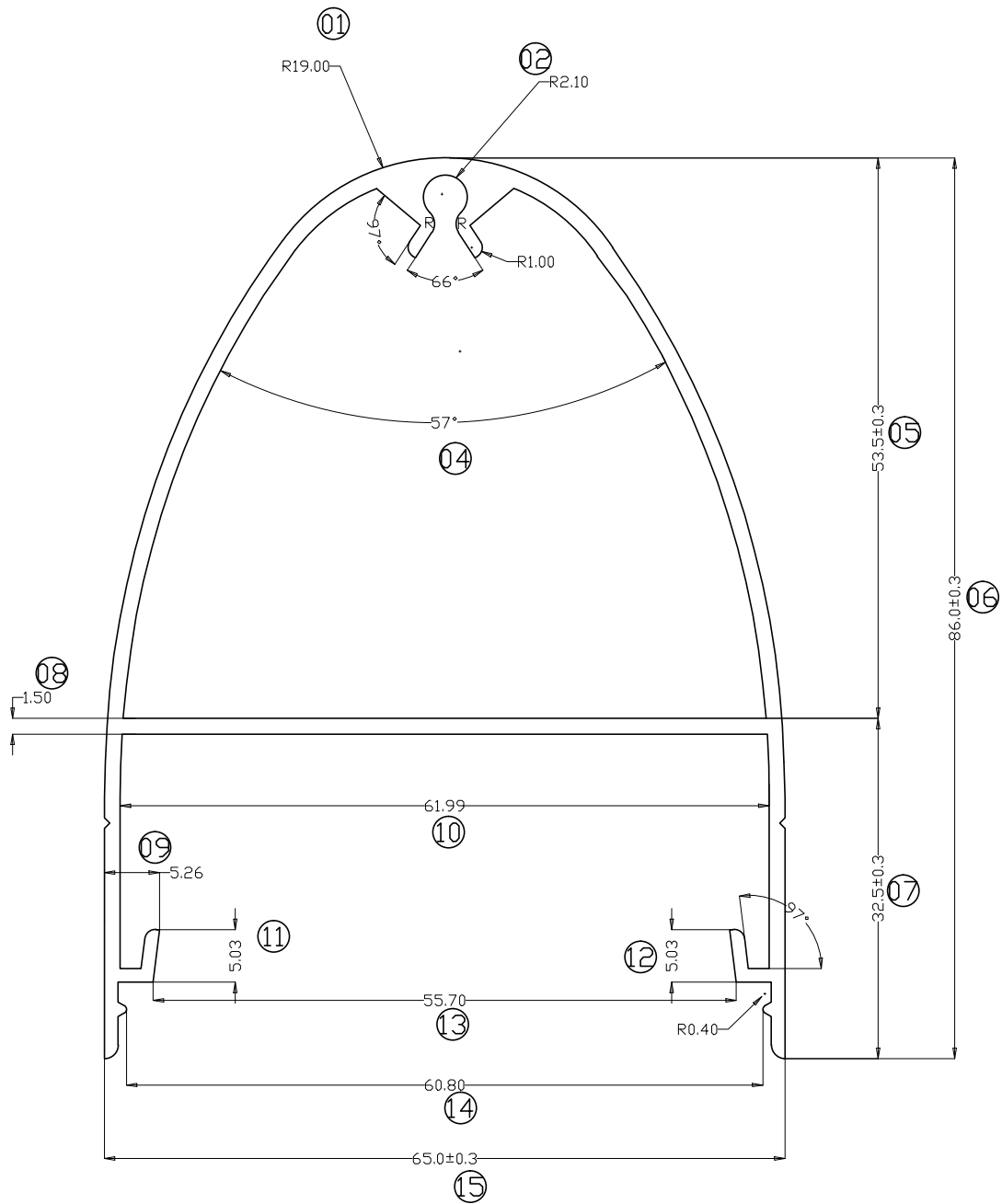


# Q00019

DO NOT SCALE DRAWING

1st ANGLE



Revision made by	Revision details:	-			
<b>Description.</b> INNER PROFILE FOR 7/61.6 FACADE SYSTEM					
Material	ALUMINUM 6060T6	Specification		EN 755-2:1997	
Colour / Finish	MILL FINISH	-	-	-	-
Area (flexible)	-	I xx value	-	Unspecified tolerance	±0.3 mm
Weight (flexible)	-	I yy value	-	Unspecified radii R	1.5 mm
Area (rigid)	-	V dimension	-	Unspecified radii r	0.2 mm
Weight (rigid)	-	Outer wall thickness	-	Drawn by	RD
Total area	435.401mm <sup>2</sup>	Main wall thickness	1.2+0.1,-0.2 mm	Drawing date	2021.12.14
Total Weight (MGW)	-	Inner wall thickness	-	Drawing issue	A
Length	7.0M+50 MM	Angular tolerance	90°±0.5°	Part Number	EEAFCF004
Scale 1:1 (3:1)		Concave/convex	0.3 mm		
ENCRAFT India Pvt. Ltd			© This drawing is the intellectual property of ENCRAFT India Pvt. Ltd and shall not be copied without written consent.		
Form NO. EN_D_F0006					