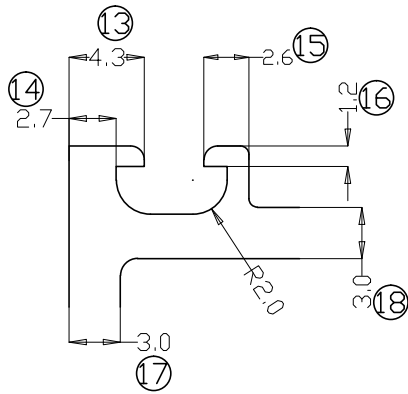
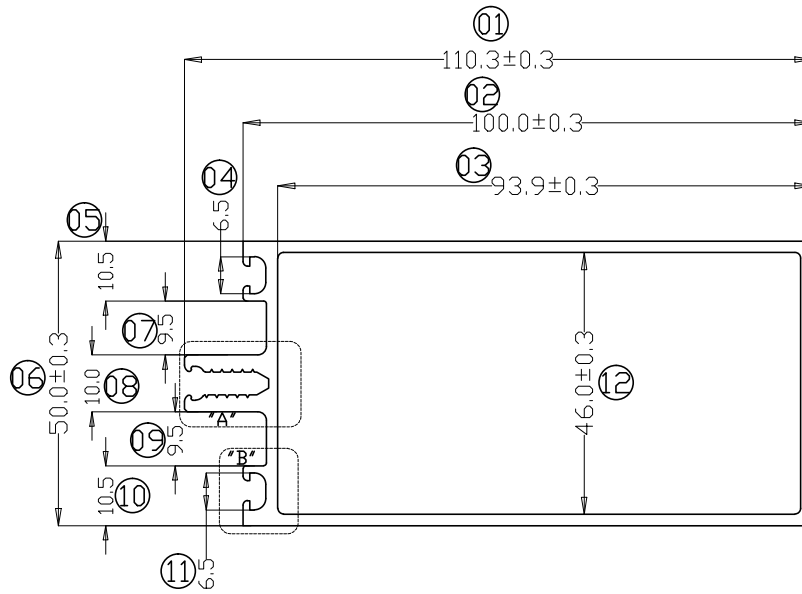


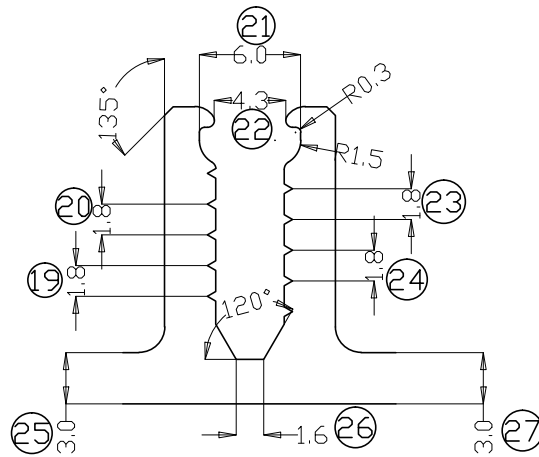
Q00022

DO NOT SCALE DRAWING

1st ANGLE



Detail A , Scale 3:1



Detail B , Scale 3:1

Revision made by	Revision details:	-					
Description.		100/50 OUTER PROFILE FOR 7/47 FACADE SYSTEM					
Material	ALUMINUM 6060T6	Specification		EN 755-2:1997			
Colour / Finish	MILL FINISH	-	-	-	-	-	-
Area (flexible)	-	I xx value	-	Unspecified tolerance	±0.3 mm		
Weight (flexible)	-	I yy value	-	Unspecified radii R	1.0 mm		
Area (rigid)	-	V dimension	-	Unspecified radii r	0.2 mm		
Weight (rigid)	-	Outer wall thickness	-	Drawn by	SS		
Total area	649.762mm ²	Main wall thickness	1.2+0.1,-0.2 mm	Drawing date	2021.12.20		
Total Weight (MGW)	-	Inner wall thickness	-	Drawing issue	A		
Length	7.0M+50 MM	Angular tolerance	90°±0.5°	Part Number	EEAFCF007		
Scale 1:1 (3:1)		Concave/convex	0.3 mm				
ENCRAFT India Pvt. Ltd				© This drawing is the intellectual property of ENCRAFT India Pvt. Ltd and shall not be copied without written consent.			
Form NO. EN_D_F0006							