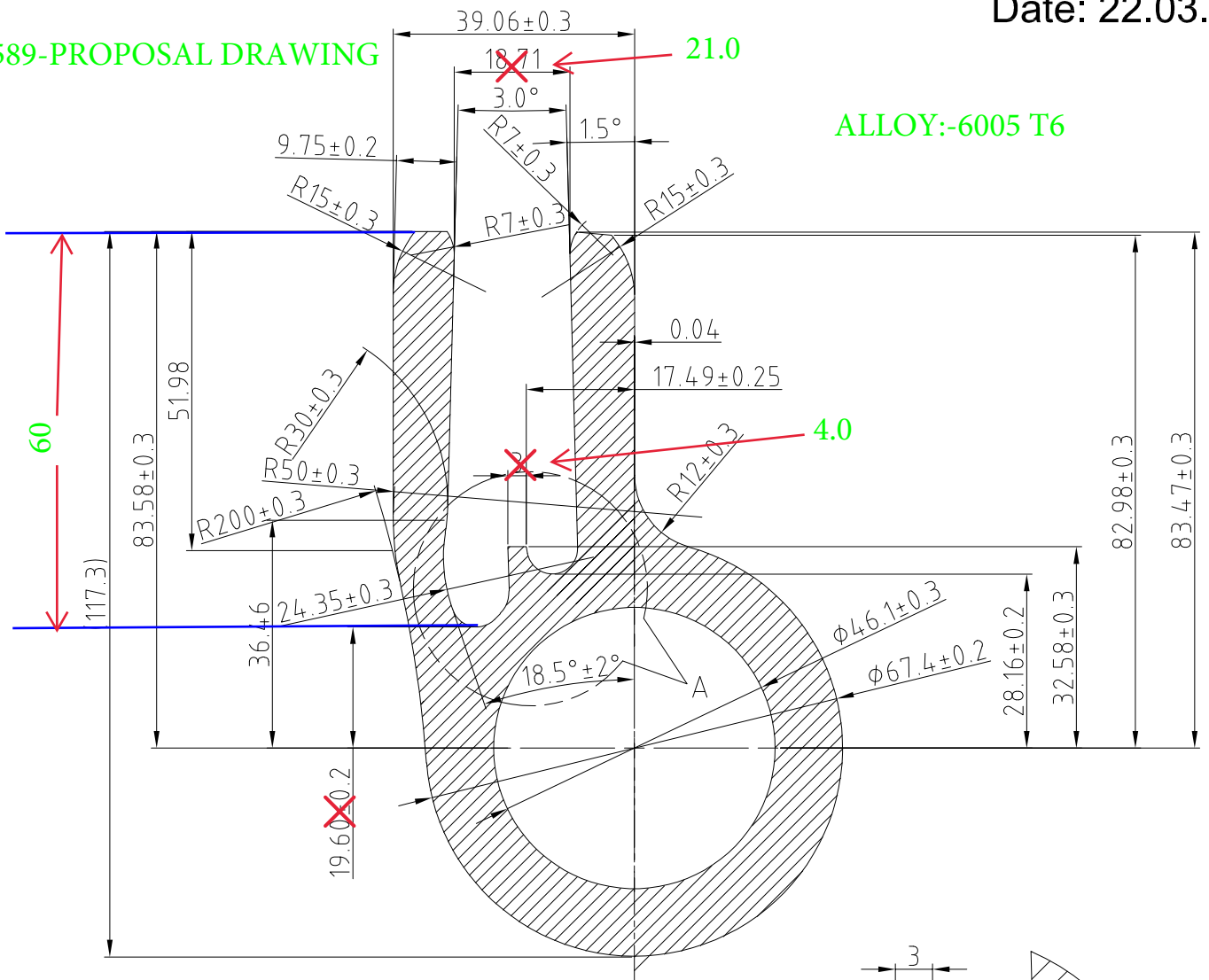
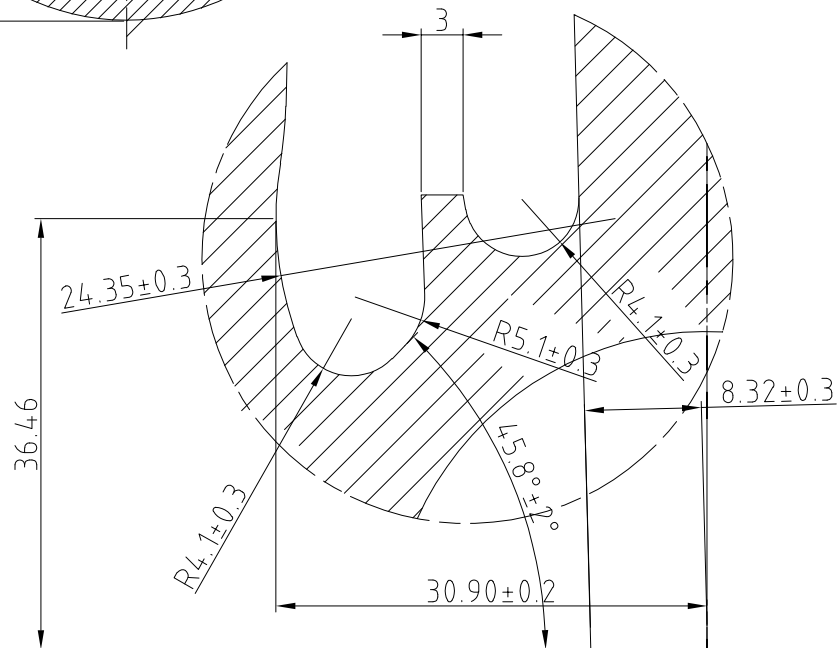


ALLOY:-6005 T6



TOLERANCE WILL BE AS PER BS:EN-755-9



DETAIL A  
SCALE 2:1

AREA	: 3352.60 mm SQ.
DRAWING	: TC-ENQ-609
REF. DRG NO.	: CM00B367890
PART NAME	: COMPONENT
MATERIAL	: ASTM B221M 6061-T6