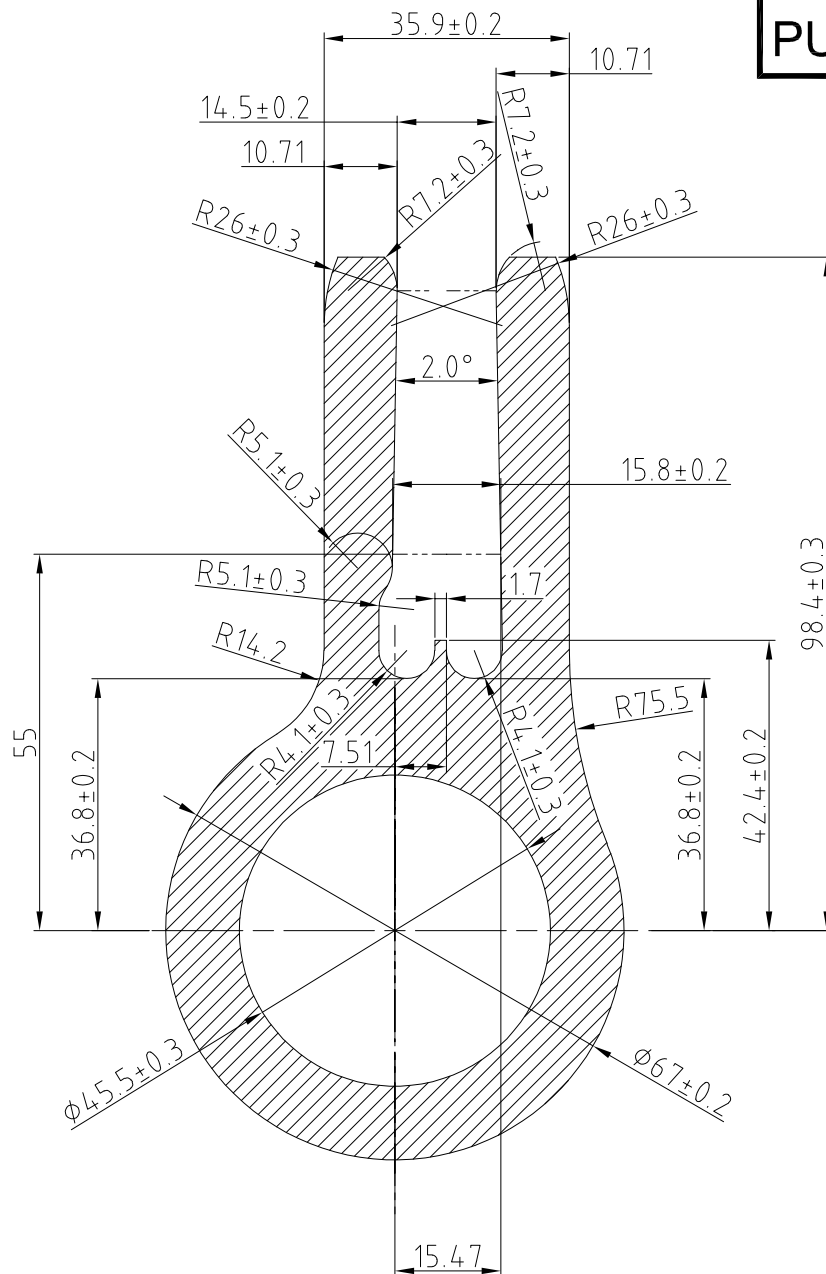


FOR QUOTATION  
PURPOSE ONLY



AREA	: 3395.77 mm SQ.
DRAWING	: TC-ENQ-611
REF. DRG NO.	: CM00B367960
PART NAME	: COMPONENT
MATERIAL	: ASTM B221M 6061-T6