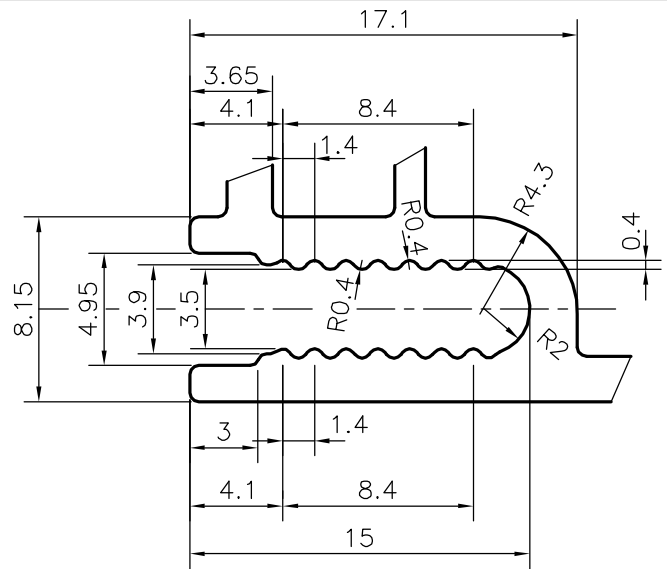
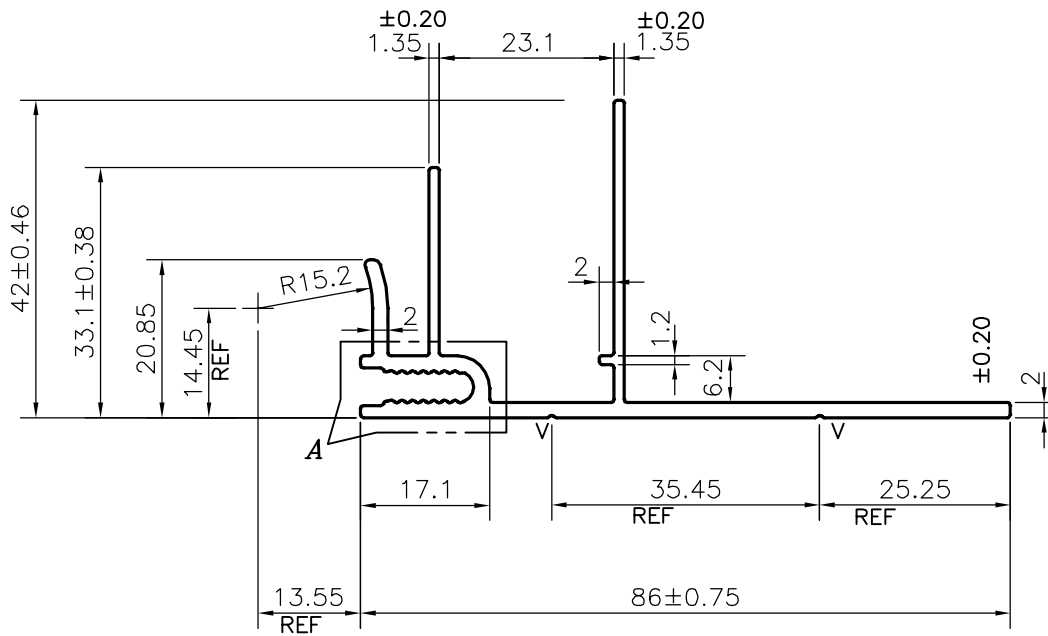


P-23808



**DETAIL OF "A"**  
SCALE 3:1



V = V GROOVE 0.3x90° (2 PLACES)

1. STRAIGHTNESS=1.7mm/M
2. TWIST=1.7mm/M
3. ANGULARITY= ±2°
4. FLATNESS =0.007xWIDTH

1) THE WELDING LINE IN THE EXPOSED SURFACE OF PROFILE IS UNAVOIDABLE. 2) PLEASE SPECIFY IMPORTANT SIZES. 3) PLEASE SPECIFY IF THIS PROFILE MATCHES WITH OTHER PROFILES. 4) PLEASE SPECIFY EXPOSED SURFACE. OTHER WISE CONSIDERED AS NO EXPOSED SURFACE. 5) FINISH :-  MILL FINISH /  ANODIZING /  POWDER COATING



SYMBOL OF QUALITY  
AN ISO 9001 COMPANY

**JINDAL ALUMINIUM LTD.**  
BANGALORE-560073 (INDIA)

	NAME	DATE
DRAWN	J.P.KAUSHIK	04-04-2022
CHECKED		
APPROVED		

1. ALL DIMENSIONS ARE IN mm.
2. ROUND OFF ALL SHARP CORNERS WITH 0.40 mm.
3. TOLERANCES WILL BE AS PER IS:3965-1981, UNLESS OTHERWISE SPECIFIED

SCALE	1:1
AREA mm <sup>2</sup>	328.138
PERIMETER mm.	373.808
WEIGHT kg/m	0.886

PARTY'S NAME	DPI DAYLIGHTING PVT. LTD., BHIWADI
PARTY'S DRAWING No.	DPI-BOTT-02(22)REV-0
ALLOY & TEMPER	6063 T6
DESCRIPTION	ARCHITECTURAL SECTION-DPI BOTTOM

DRAWING No.	SECTION No.
P-23808	-
-	-