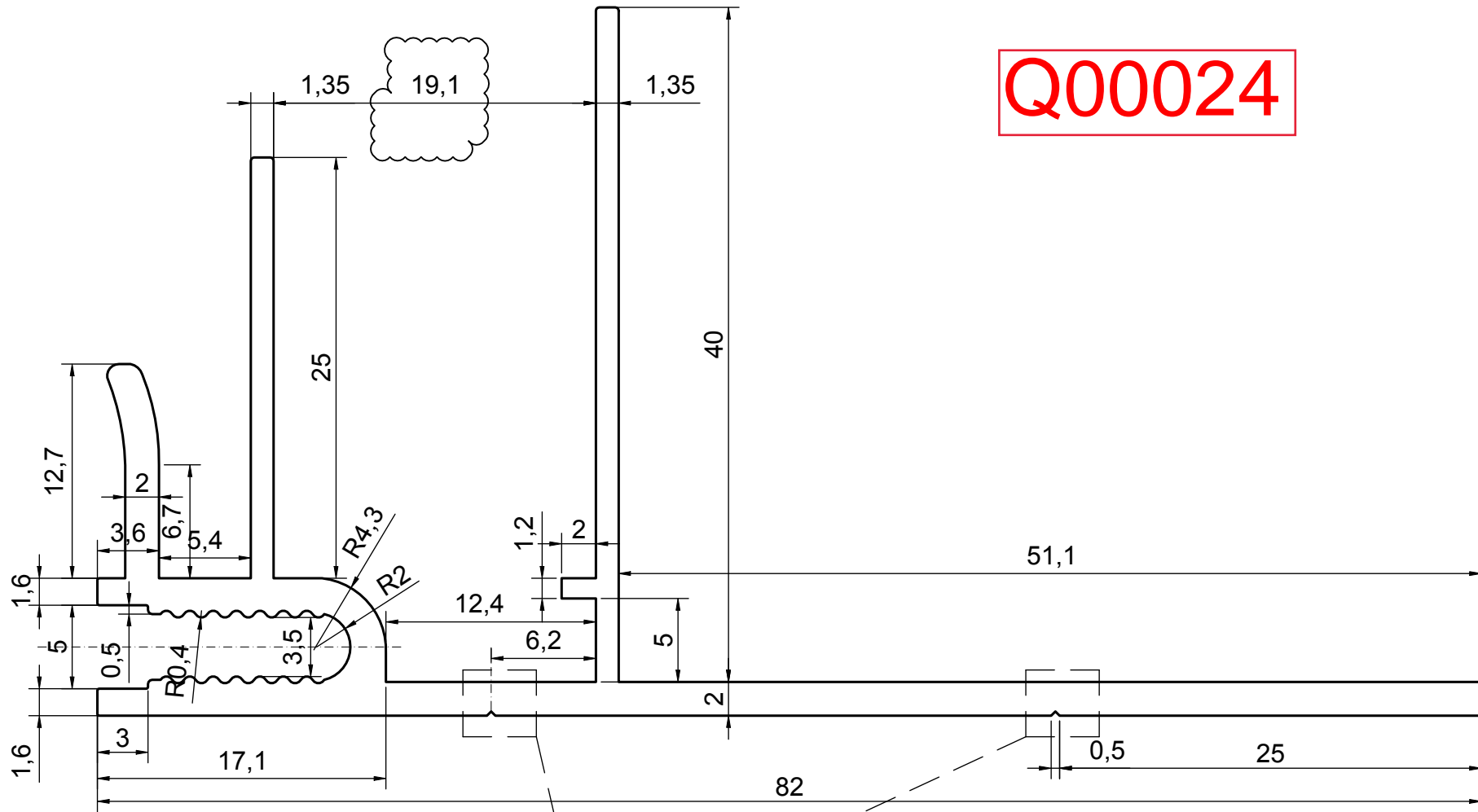


Q00024



DPI-Bott- 02 (18)

Title:-	DPI Bottom Profile -18
Dwg.No.:-	DPI-Bott- 02 (18) Rev.-0
Date:-	24-03-2022
Alloy & Tempering:-	6063 -T6
	Standard Length - 3000 mm.
	Natural Anodized