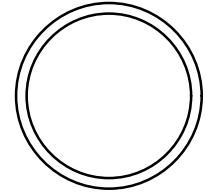


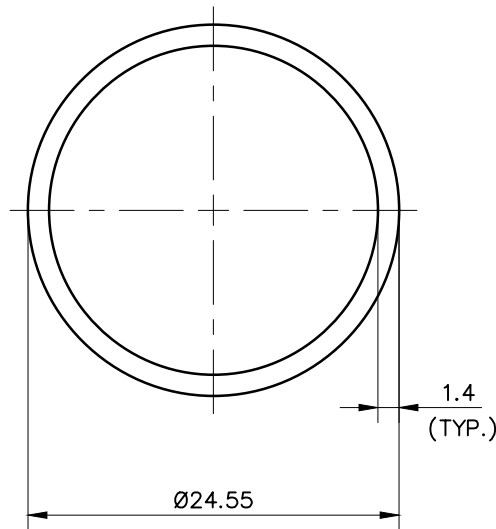
BEFORE APPROVAL CHECK ALL DIMENSIONS PROPERLY

PROPOSED DRAWING

Q00521




SCALE 1:1



- 1. STRAIGHTNESS= 1.7mm/M
- 2. TWIST= 1.7mm/M
- 3. ANGULARITY=  $\pm 2^\circ$
- 4. FLATNESS= 0.007xWIDTH

**UNCONTROLLED COPY**

1) THE WELDING LINE IN THE EXPOSED SURFACE OF PROFILE IS UNAVOIDABLE. 2) PLEASE SPECIFY IMPORTANT SIZES. 3) PLEASE SPECIFY IF THIS PROFILE MATCHES WITH OTHER PROFILES. 4) PLEASE SPECIFY EXPOSED SURFACE. OTHERWISE CONSIDERED AS NO EXPOSED SURFACE. 5) FINISH :-  MILL FINISH /  ANODIZING /  POWDER COATING

 SYMBOL OF QUALITY AN ISO 9001 COMPANY	<b>JINDAL ALUMINIUM LTD.</b> BHIWADI-301019 (INDIA)		NAME	DATE
	DRAWN	ASHUTOSH	11-04-2023	
	CHECKED			
1. ALL DIMENSIONS ARE IN mm. 2. ROUND OFF ALL SHARP CORNERS WITH 0.40 mm. 3. TOLERANCES WILL BE AS PER BS:EN-755-9 , UNLESS OTHERWISE SPECIFIED		SCALE	1:1&2:1	
PARTY'S NAME		M/s. ROYAL AUTO TEAM	AREA mm <sup>2</sup>	101.82
PARTY'S DRAWING No.		AS PER DRAWING -N892628-C2D1 (Q00521)	PERIMETER mm.	77.13
ALLOY & TEMPER		6063-T6	WEIGHT kg/m	0.275
DESCRIPTION		ROUND TUBE	DRAWING No.	SECTION No.