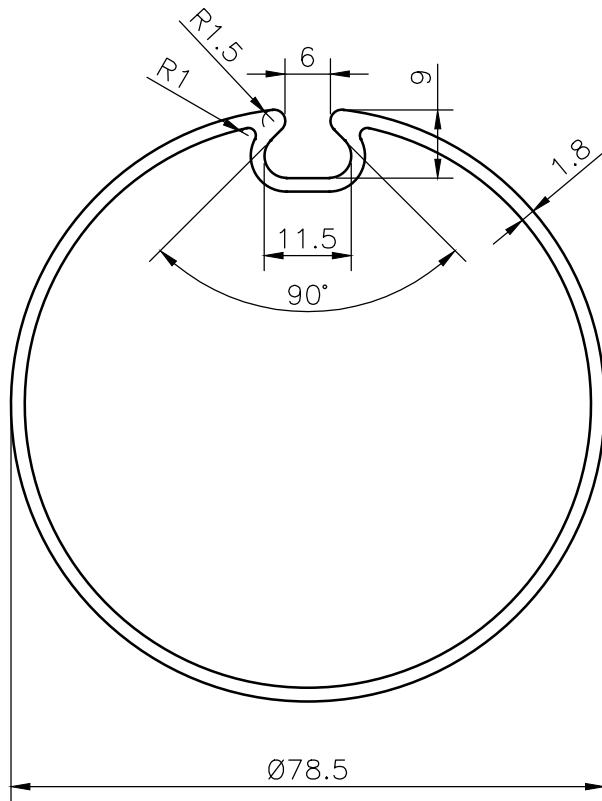
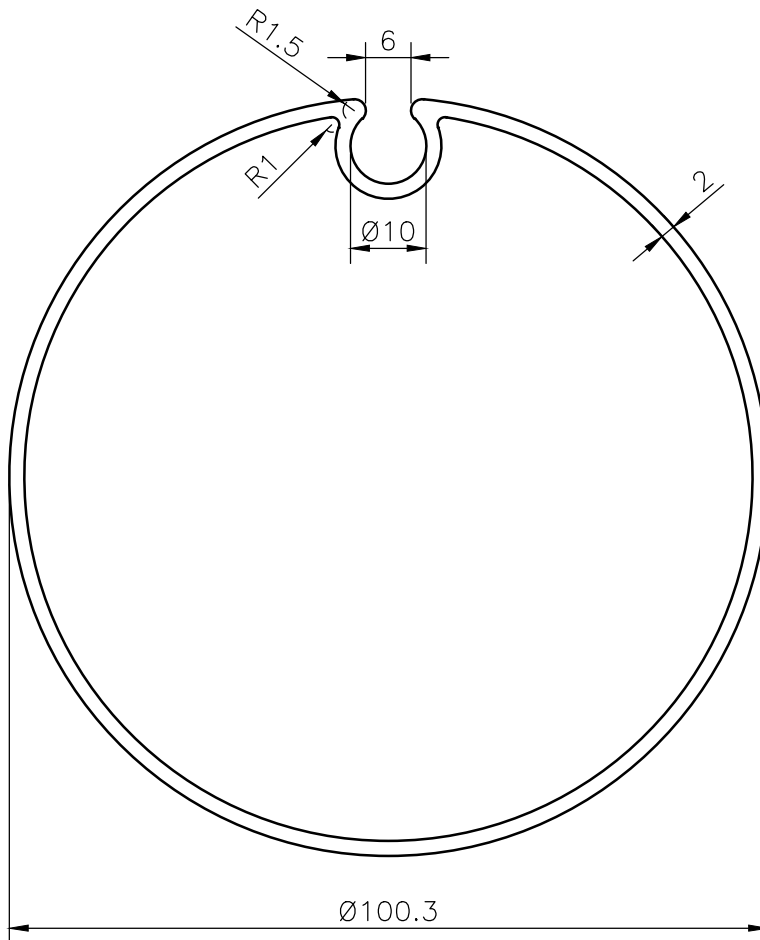


PROPOSAL DRAWING  
Q01594



Area:475.058 Sq.mm. | Perimeter:268.198 mm. | Weight:1.283 Kg./mtr.



PROPOSAL DRAWING  
Q01595

Area:662.273 Sq.mm. | Perimeter:336.989 mm. | Weight:1.788 Kg./mtr.