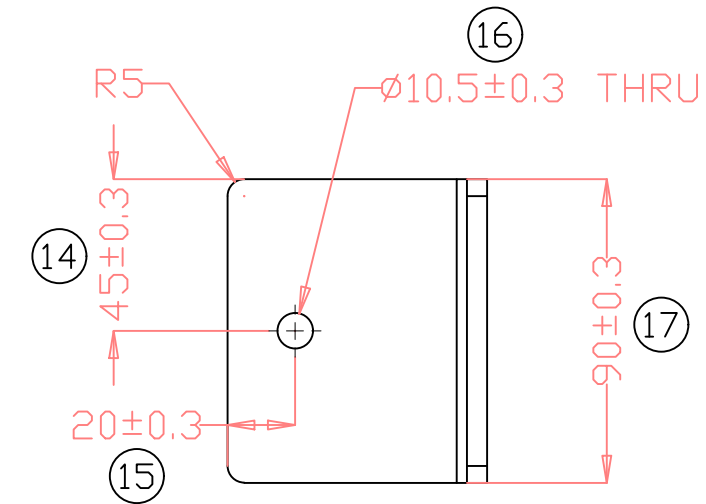
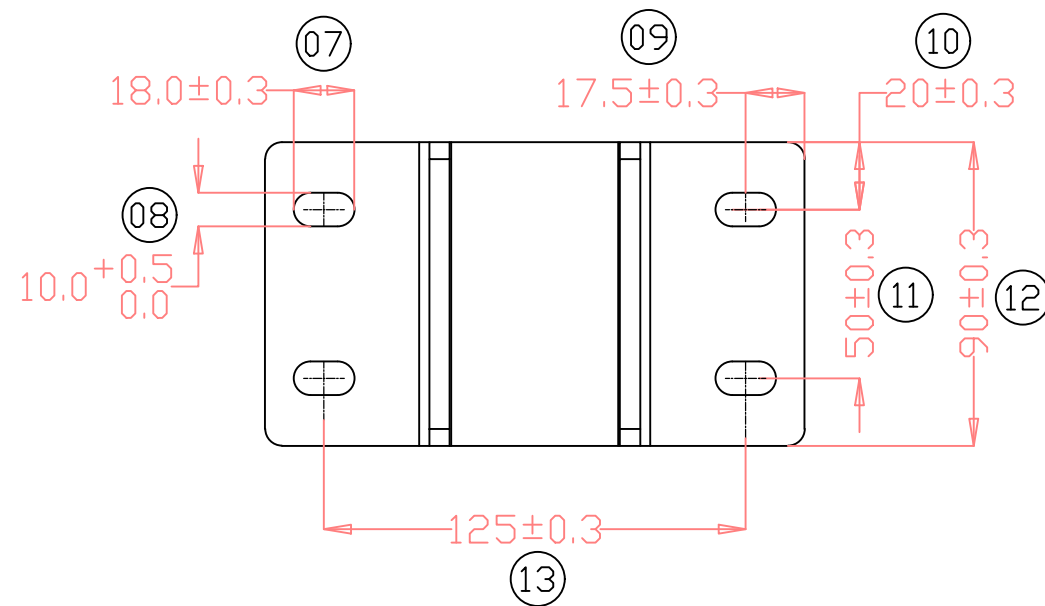
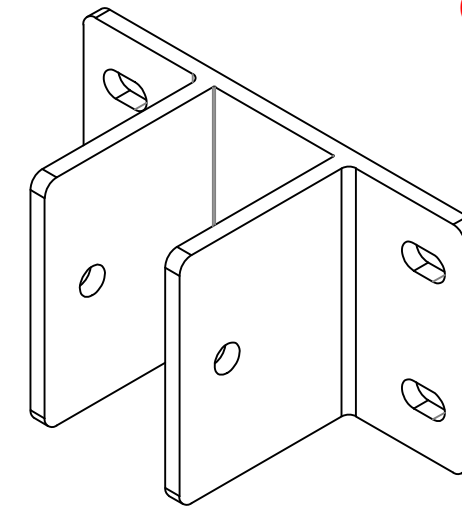
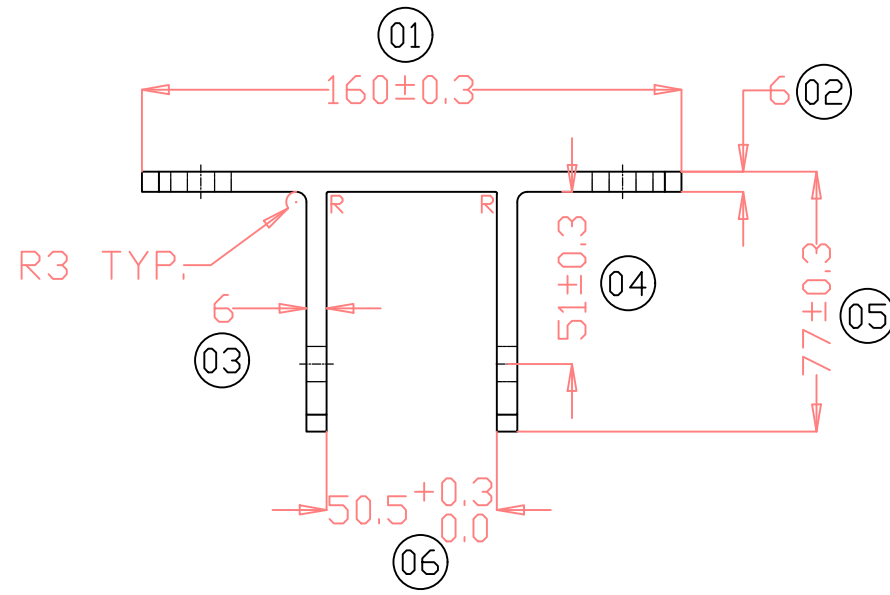


DO NOT SCALE DRAWING

1st ANGLE

Q00028



Revision made by	Revision details:	-			
<b>Description.</b> FACADE CURTAIN WALL BRACKET FOR F50					
Material	M.S.	Specification		EN 12608:2003	
Colour / Finish	-	-	-	-	-
Area (flexible)	-	I xx value	-	Unspecified tolerance	±0.3 mm
Weight (flexible)	1.24 kg	I yy value	-	Unspecified radii R	0.5 mm
Area (rigid)	-	V dimension	-	Unspecified radii r	0.3 mm
Weight (rigid)	-	Outer wall thickness	6.0±0.2 mm	Drawn by	SS
Total area	-	Main wall thickness	-	Drawing date	2022.05.10
Total Weight (MGW)	-	Inner wall thickness	-	Drawing issue	A
Length	-	Angular tolerance	90°±0.5°	Part Number	EIAAUC008
Scale 1:1	-	Concave/convex	0.3 mm		

ENCRAFT India Pvt. Ltd

© This drawing is the intellectual property of ENCRAFT India Pvt. Ltd and shall not be copied without written consent.

Form NO. FD-4005