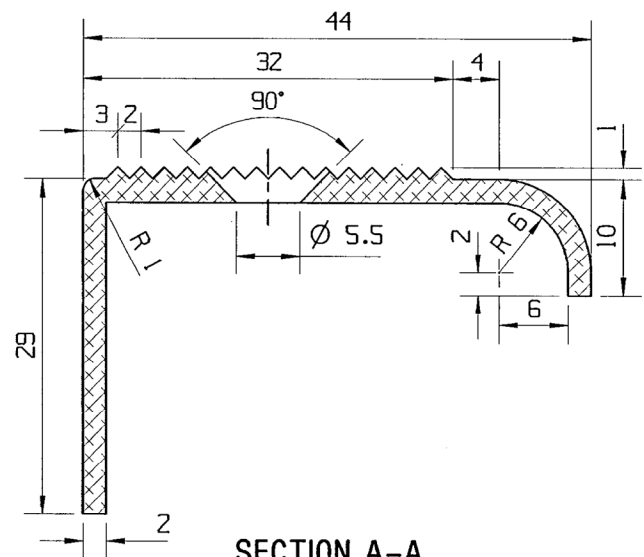
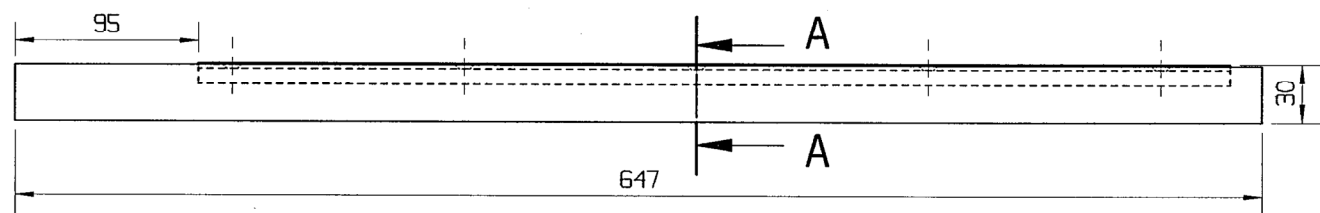


ALT. NO.	ALT. DATE	ZONE	ALTERATIONS	AUTH.
a	04/03/2015	A8	CROSS-SECTION OF FRAME EXTRUSION MODIFIED.	DIC MD15



SECTION A-A
SCALE 2:1

NOTE:-
1. DIMENSIONAL TOLERANCES ON CROSS SECTION, TWIST, STRAIGHTNESS, LENGTH ETC. SHALL CONFORM TO IS: 3965-1981, IS: 2673-1979, IS: 6477-1983 UNLESS OTHERWISE SPECIFIED.

THIS DRAWING IS THE INTELLECTUAL PROPERTY OF RAIL COACH FACTORY, KAPURTHALA. THIS DRAWING SHOULD NOT BE REPRODUCED, ALTERED, USED FOR MANUFACTURING OF COMPONENTS, SOLD OR TRANSFERRED WITHOUT PERMISSION FROM CHIEF DESIGN ENGINEER, RAIL COACH FACTORY, KAPURTHALA.

अनुमोदित
Entered
ने
Into
प्रविष्टि
Date B

11 MAR 2015

NIL	FRAME EXTRUSION BOTTOM	NIL	NIL	IS: 733-83 Gr: 63400WP	ALUMINUM
-----	------------------------	-----	-----	---------------------------	----------

WELD LENGTH	ITEM	DESCRIPTION & DIMENSIONS	OPASSLY	DETAIL DRG	MATL. & SPEC.	RE																																											
NIL	M	INTERIOR DOORS & ACCESSORIES COMPLETE	SUPERSEDES: LW56439 ALT NIL																																														
WEIGHT	FILE	lw56439a.prt (3D)																																															
0.250	KG	<table border="1"> <tr> <td colspan="3">FRAME EXTRUSION BOTTOM</td> <td>SCALE</td> <td>SSE/REC</td> <td></td> </tr> <tr> <td colspan="3"></td> <td>1:3</td> <td>CHD</td> <td>RJSH</td> </tr> <tr> <td colspan="3"></td> <td>DRM</td> <td>SATS</td> <td></td> </tr> <tr> <td colspan="3">RAIL COACH FACTORY, KAPURTHALA</td> <td>REF. DRG. NO.</td> <td colspan="2">NIL</td> </tr> <tr> <td colspan="3">रेलकोच फेक्टरी कपुरथला</td> <td>IRS</td> <td>PL NO.</td> <td>NIL</td> </tr> <tr> <td colspan="3">ADDEYSME</td> <td>BY: CME</td> <td>DRG. NO.</td> <td>LW56</td> </tr> <tr> <td colspan="3"></td> <td>NR</td> <td>CDE</td> <td>ALT. a</td> <td>SIZE A3 SHE</td> </tr> </table>					FRAME EXTRUSION BOTTOM			SCALE	SSE/REC					1:3	CHD	RJSH				DRM	SATS		RAIL COACH FACTORY, KAPURTHALA			REF. DRG. NO.	NIL		रेलकोच फेक्टरी कपुरथला			IRS	PL NO.	NIL	ADDEYSME			BY: CME	DRG. NO.	LW56				NR	CDE	ALT. a	SIZE A3 SHE
FRAME EXTRUSION BOTTOM							SCALE	SSE/REC																																									
							1:3	CHD	RJSH																																								
							DRM	SATS																																									
RAIL COACH FACTORY, KAPURTHALA							REF. DRG. NO.	NIL																																									
रेलकोच फेक्टरी कपुरथला			IRS	PL NO.	NIL																																												
ADDEYSME			BY: CME	DRG. NO.	LW56																																												
			NR	CDE	ALT. a	SIZE A3 SHE																																											
S.AREA	NIL	M ²																																															
LENGTH / -DIA	NIL	M																																															
WIDTH / THICK	NIL	M																																															
HEIGHT	NIL	M																																															

DETAIL DRGS STARTING WITH "LI" ARE INTERNAL REFERENCE LISTS ONLY AND ARE NOT FOR ISSUE.

THIS IS A COMPUTER GENERATED DRAWING. ANY MANUAL ALTERATION SHALL AUTOMATICALLY RENDER IT INVALID.

FOR UNTOLERANCED DIMENSIONS REFER MDG0008	DATE OF FIRST ISSUE	17/07/2006	CGM BY	<i>Signature</i>
---	---------------------	------------	--------	------------------