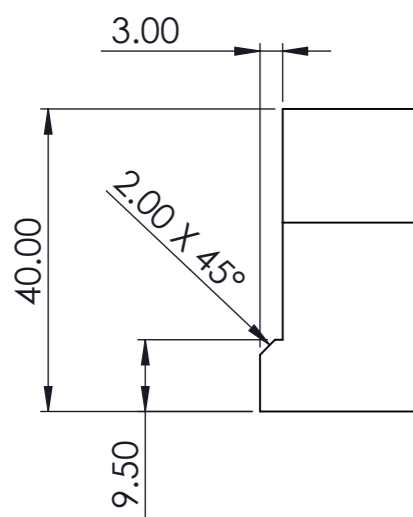
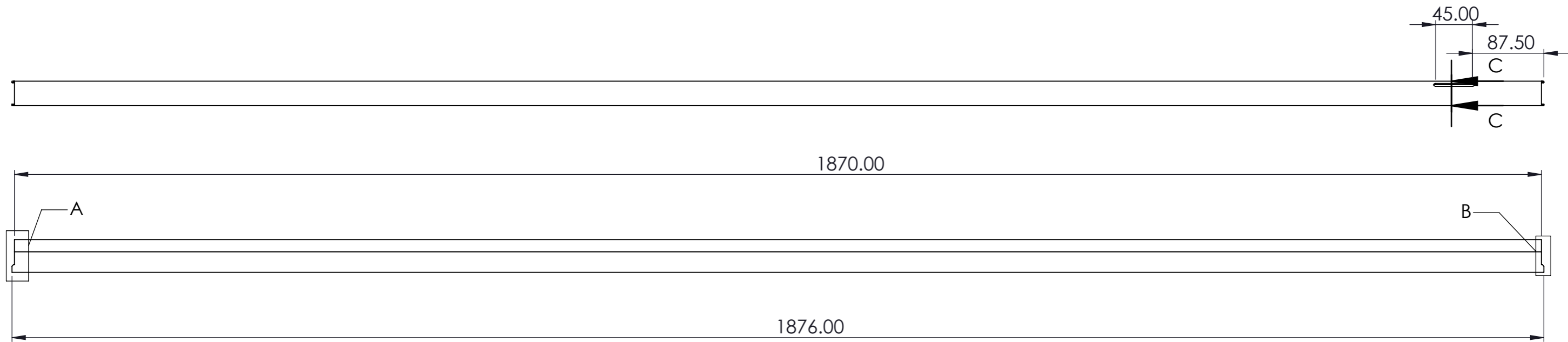
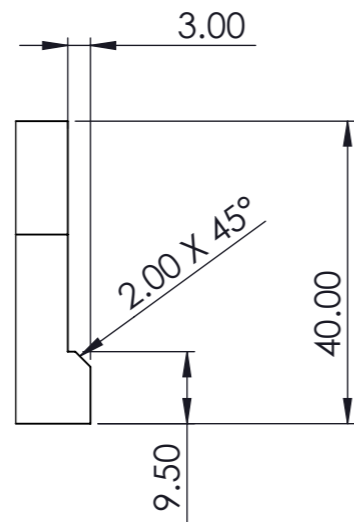


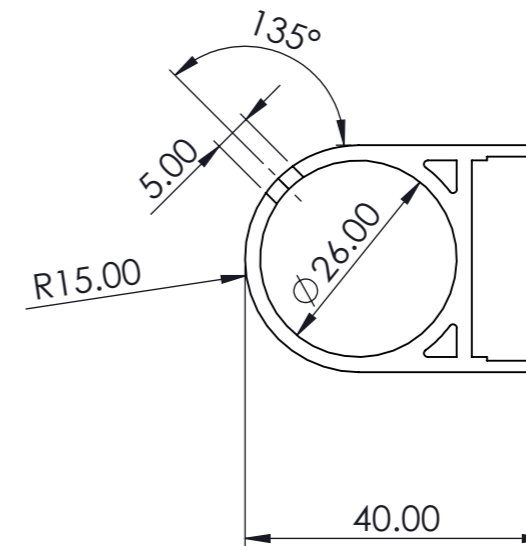
© COPYRIGHT THIS DRAWING AND DESIGN REMAINS THE PROPERTY OF JINDAL ARCHITECTURE LTD. AND MAY NOT BE COPIED WITHOUT PRIOR WRITTEN APPROVAL FROM THIS COMPANY.



DETAIL A
SCALE 1 : 1



DETAIL B
SCALE 1 : 1



SECTION C-C
SCALE 1 : 1

SYMBOL		REVISION DESCRIPTION		SIGNATURE		DATE	
GEN. TOLERANCE CHART							
ANGULAR DIMENSIONS							
LINEAR DIMENSIONS		UPTO 10		OVER 10 TO 50		OVER 50 TO 120	
ABOVE	UPTO & INCLUDING	DEGREE	MM / 100MM	DEGREE	MM / 100MM	DEGREE	MM / 100MM
0.5	3	30	0.1	30	0.1	30	0.1
3	6	30	0.1	30	0.1	30	0.1
6	30	30	0.2	30	0.2	30	0.2
30	120	30	0.5	30	0.5	30	0.5
120	315	30	0.8	30	0.8	30	0.8
315	1000	30	1.0	30	1.0	30	1.0
1000	ABOVE	30	1.2	30	1.2	30	1.2
DEVIATION		±0.1	±0.1	±0.2	±0.5	±0.8	±1.0

arc		JSL		PART DRG. NO.:	
JSL LIFE STYLE LTD.				AAB63147	
PROJECT DISCRPTION:		STATUS: L3	REV. No.	DESCRIPTION: DOOR FRAME PIVOT SIDE	
MATERIAL:		Wt.(Kg)-		BLANK SIZE: XX	
FINISH:		QUANTITY: NO.			
DRAWN BY:		CHECKED BY:		APPROVED BY:	
DATE :- 29-11-2019		DATE :		DATE :	
CONTROLLED COPY MASTER COPY		SHEET SCALE- 1:5		SHEET- 1 OF 1 SHEET SIZE: A3 LAYOUT: LANDSCAPE	

NOTE :- ALL DIMENSIONS IN MM (UNO).

SCALE: 1:5, Unless Specified

WEIGHT: Grams(Tentative)