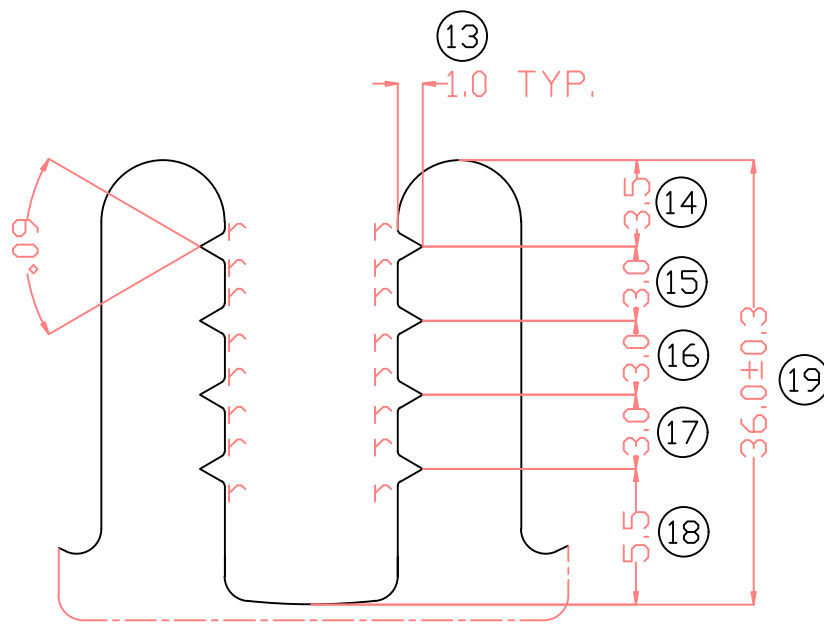
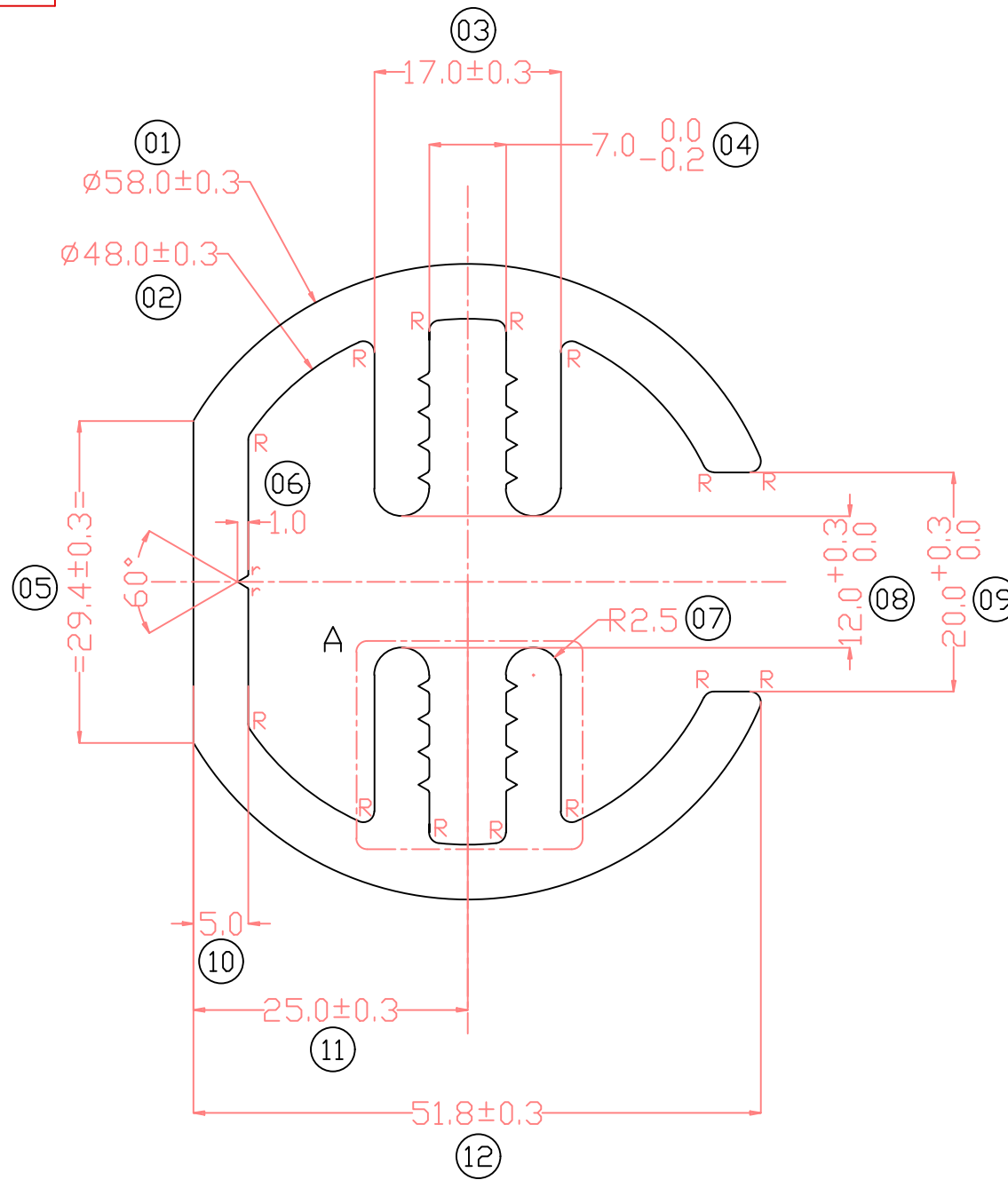


DO NOT SCALE DRAWING

1st ANGLE

Q00032



Detail A , Scale 2:1

Revision made by	Revision details:	-					
Description.	PROFILE ANGLE MOUNTING BLOCK						
Material	ALUMINUM 6063-T6	Specification		EN 755-2:1997			
Colour / Finish	MILL FINISH	-	-	-	-	-	-
Area (flexible)	-	I xx value	-	Unspecified tolerance		±0.3 mm	
Weight (flexible)	-	I yy value	-	Unspecified radii R		1.0 mm	
Area (rigid)	-	V dimension	-	Unspecified radii r		0.2 mm	
Weight (rigid)	-	Outer wall thickness	-	Drawn by		ss	
Total area	1047.313 mm ²	Main wall thickness	5+0.1,-0.2 mm	Drawing date		2022.05.10	
Total Weight (MGW)	-	Inner wall thickness	-	Drawing issue		A	
Length	5.8M+50 MM	Angular tolerance	90°±0.5°	Part Number		EIAAUC005	
Scale 1:1 (5:1)	-	Concave/convex	0.3 mm				

ENCRAFT India Pvt. Ltd

© This drawing is the intellectual property of ENCRAFT India Pvt. Ltd and shall not be copied without written consent.

Form NO. EN_D_F0006