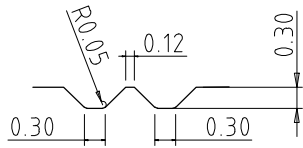


THIS DOCUMENT IS THE PROPERTY OF TRWPL, HARIDWAR. DOCUMENT SHOULD NOT BE REPRODUCED IN ANY FORM OR BY ANY MEANS WITHOUT WRITTEN PERMISSION OF TRWPL.

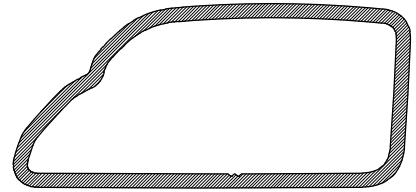
REF. NO. -
SAP CODE:-

Q00042

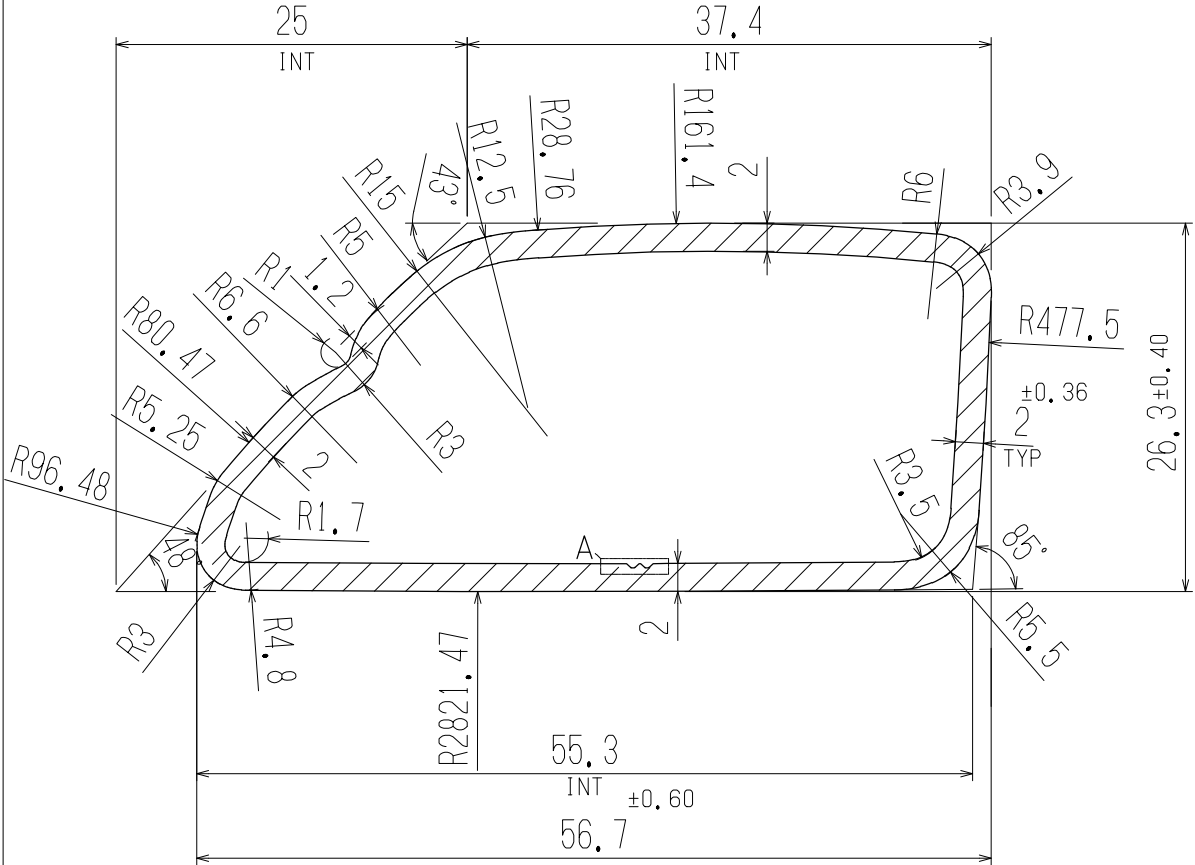
DO NOT SCALE DRAWING
ALL DIMENSIONS ARE IN MM



Scale = 10:1
WINPRO ID MARK - TYPE 2
DETAIL A



Scale = 1:1



Scale = 2:1

NOTE:-

GENERAL WALL THICK. : 2.00±0.1mm

IF IN DOUBT, PLEASE ASK

REV. ZONE	NO. OF PLACES	REVISIONS	DATE	APPROVED BY	NAME	SIGN	DATE
5							
4					DRAWN BY	SURESH	06-05-22
3					CHECKED BY	JYOTI	06-05-22
2					APPROVED BY	NIKHIL JI	06-05-22
1					APPLICATION:- SPECIAL		
0					MATERIAL :	SCALE	
					SEE NOTE	1:1	



M/S THE RISHABH WINPRO PVT. LTD
9th KM HARIDWAR DELHI ROAD, JWALAPUR, HARIDWAR
PH. NO. +91 1334 259009 FAX- 91 1334 2590029
EMAIL : mail@dlproindustries.com

TITLE :
SPECIAL PROJECT

DRG. NO.	SHEETS	SIZE
WINPRO/SP/PR/DIE/DWG/01	01 / 01	A4