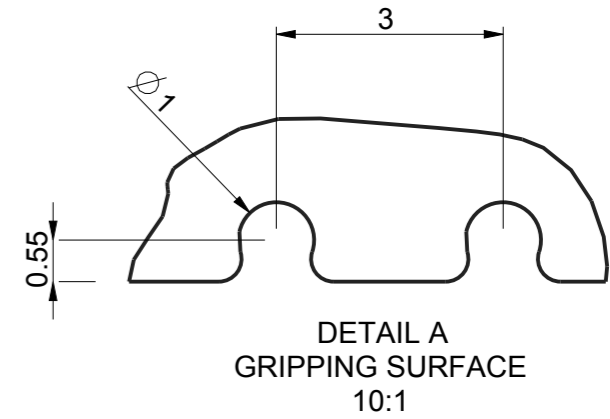
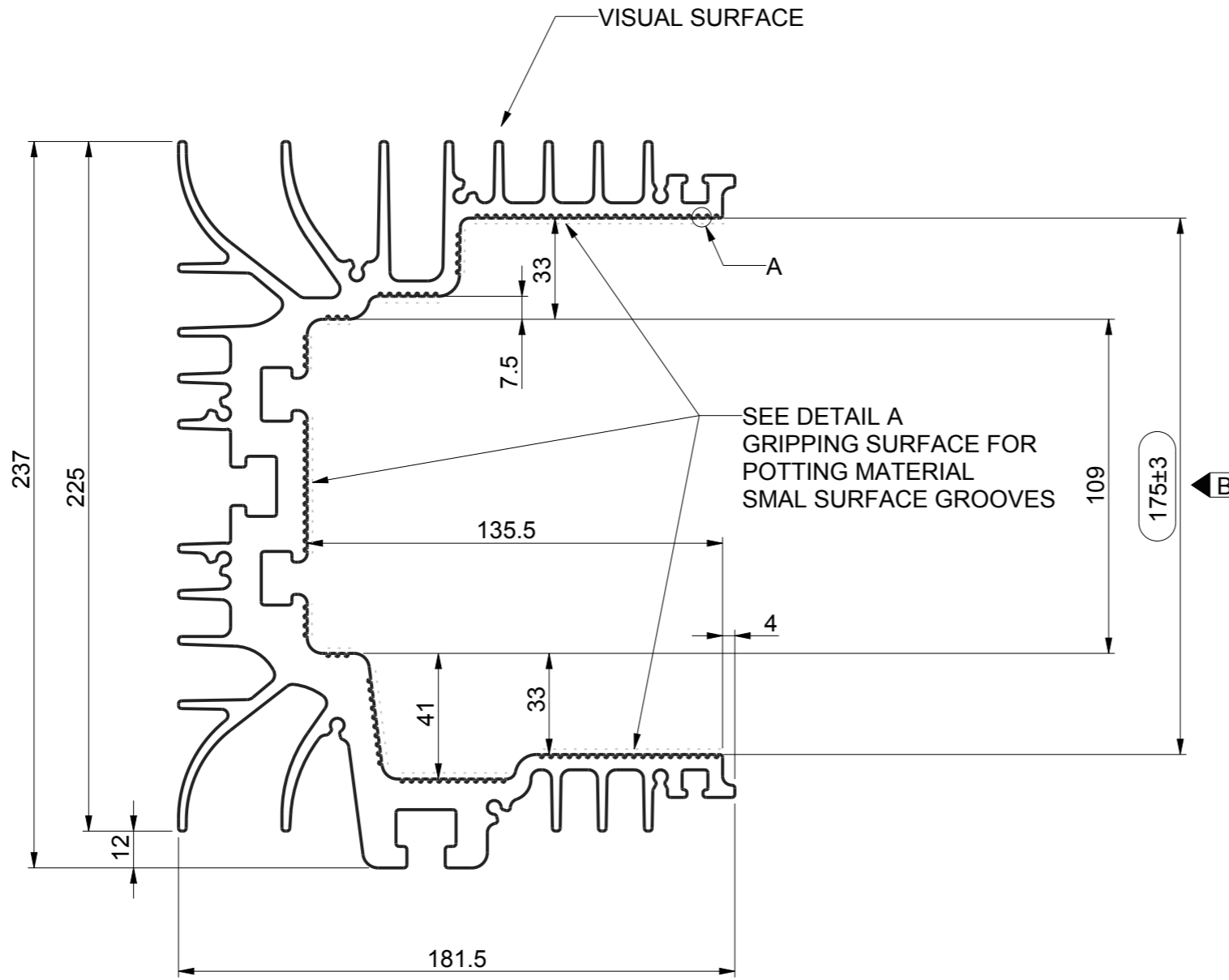


SHEET 1: GENERAL VIEW  
 SHEET 2: DIMENSIONS  
 SHEET 3: CUTTIN LENGHT

ID	Description	Date	By	Appr.
B	Added inspection to critical dimension. Lenght of profile on sheet 3	5.9.2016	A.Korpua	A.Lähdesmäki
A	INITIAL APPROVAL	4.7.2016	A.Korpua	Paakkunainen



Q00055

GENERAL TOLERANCE: SFS-EN 755-9  
 WEIGHT 19,2 kg/m

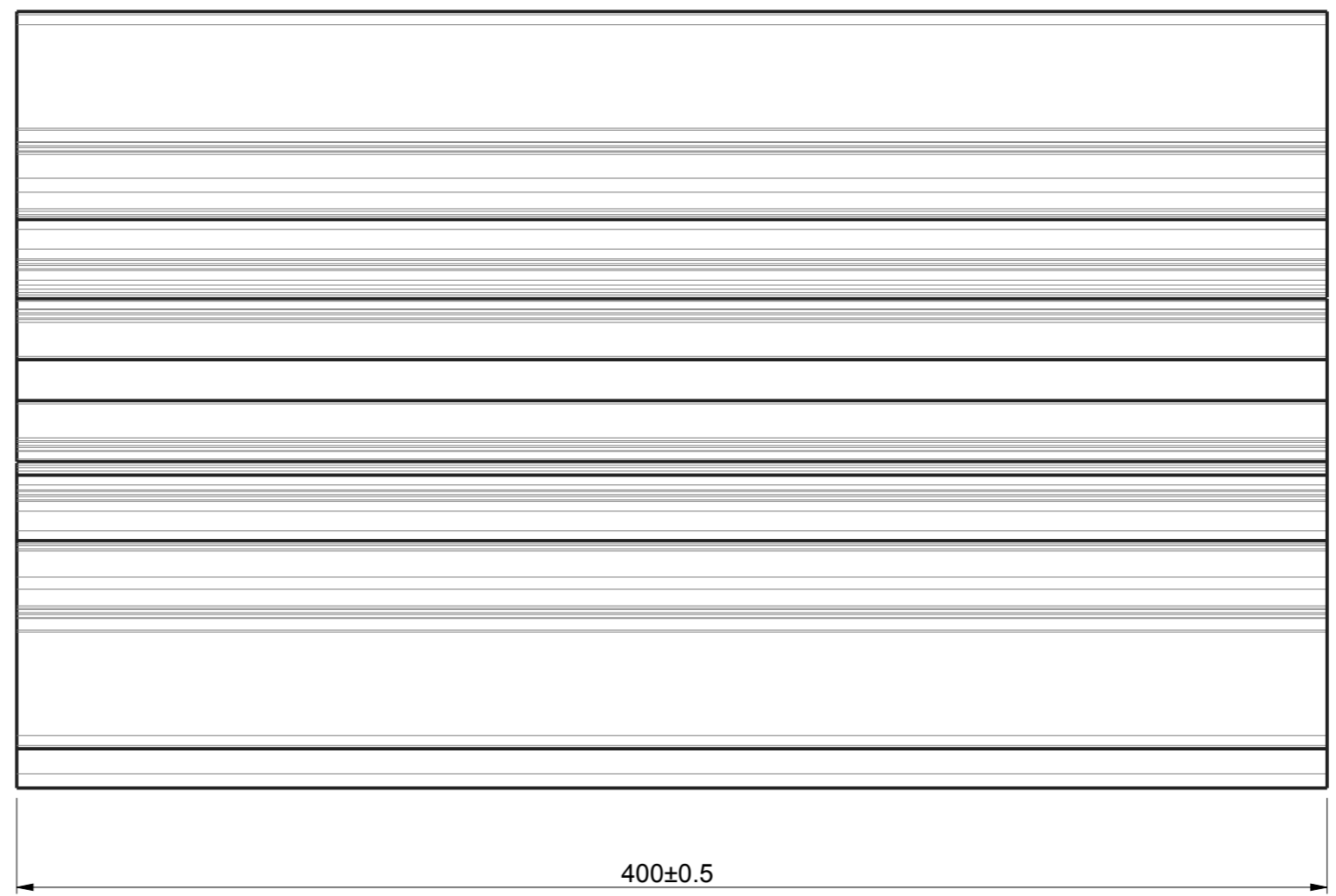
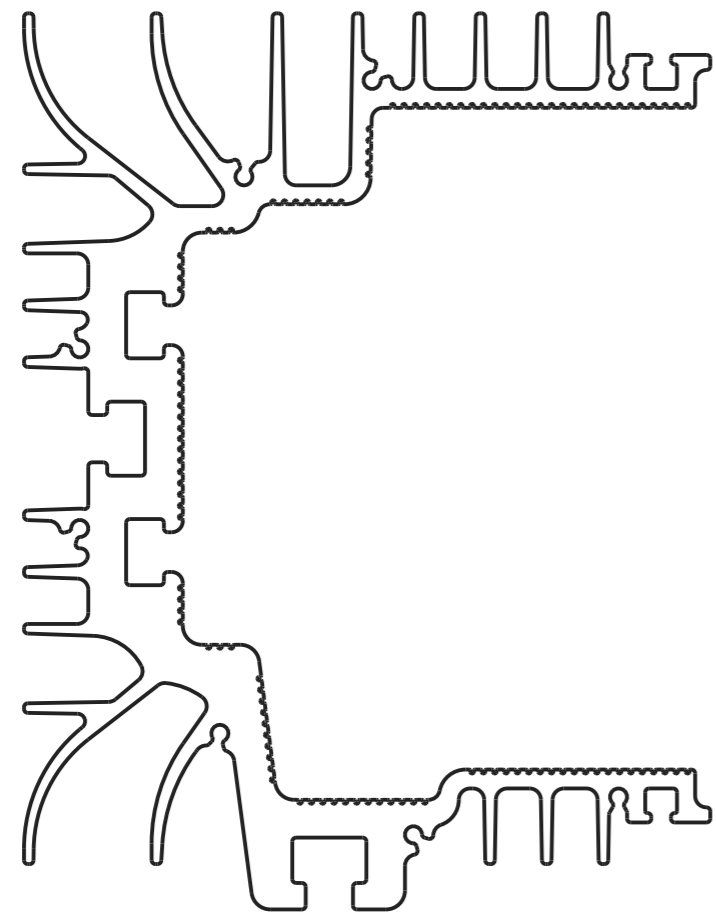
Part	Code	Description	Pcs	Weight [g/pcs]
Supplier:	Tool No:	Volume	Weight [g]	7679
Material: EN A 6063 T5		Ensto Mat:		
 Ensto Finland Oy Ensto Utility Networks		AI Profile	Replaces:	
Scale	Date		Replaced:	
1:2	22.6.2016		Drw No:	000315449 B
A3	By		Ref:	
Sheet No: 1 (3)	Checked	Code:		
	Ctrl			





Model BALANCER\_HEATSINK\_PROFILE [A]  
 Drawing BALANCER\_HEATSINK\_PROFILE  
 Tolerance ISO 2768-m  
 >0,5 =3 ±0,1  
 > =6 ±0,1  
 >6 =30 ±0,2  
 >30 =120 ±0,3  
 >120 =400 ±0,5  
 >400 =1000 ±0,8

1 2 3 4 5 6 7 8

ID	Description	Date	By	Appr.
B	Added inspection to critical dimension. Lenght of profile on sheet 3	5.9.2016	A.Korpua	A.Lähdesmäki
A	INITIAL APPROVAL	4.7.2016	A.Korpua	Paakkunainen



Part	Code	Description	Pcs	Weight [g/pcs]
Supplier:		Tool No:	Volume	Weight [g] 7679
Material: EN A 6063 T5		Ensto Mat:		
 Ensto Finland Oy Ensto Utility Networks			AI Profile	
Scale	Date	22.6.2016	Replaces:	
1:2	By	A.Korpua	Replaced:	
A3	Checked		Drw No: 000315449 B	
Sheet No: 3 (3)	Ctrl		Ref:	
			Code:	