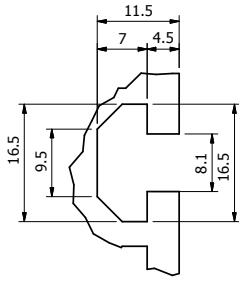
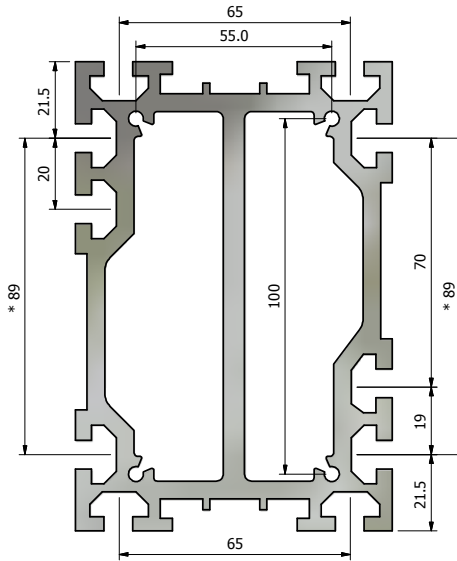


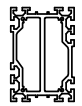
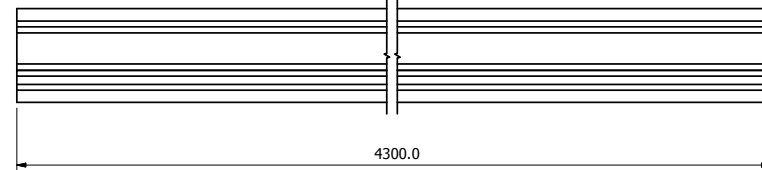
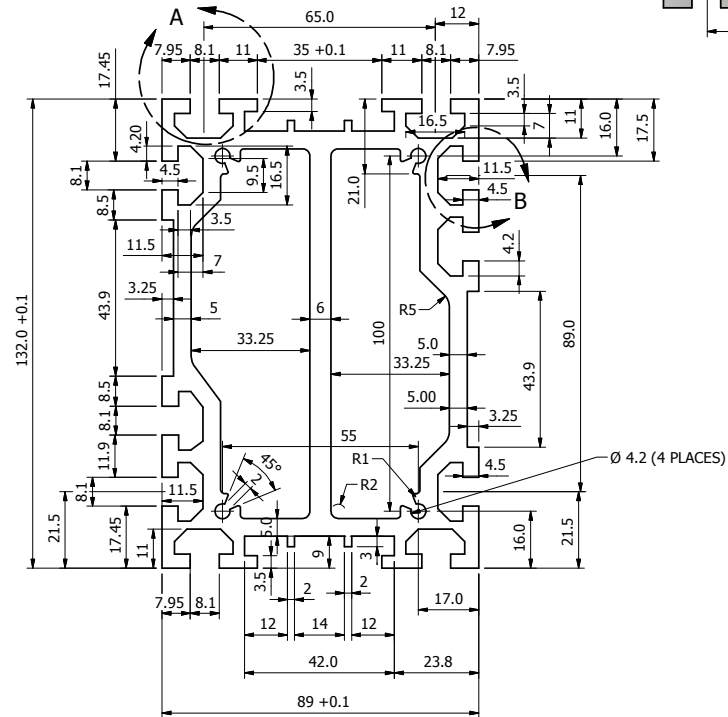
DETAIL A
SCALE 2 : 1



DETAIL B
SCALE 2 : 1



Q00058



- NOTES:-
1. REMOVE ALL SHARP EDGES.
 2. ALL DIMENSION TOLERANCE ±0.1mm OTHERWISE SPECIFIED.

				TOLERANCE EXCEPT AS NOTED AS PER IS:2102 MEDIUM CLASS				
				NO.OFF	01			
				SIGN	DATE	SCALE	MATERIAL : ALUMINIUM (A6063S - T6)	
				DRAWN	RKN 25.05.22	1 : 1	PART NO. ND-KM120-0120 DRG. NO. ND-KM120-0120-2E	
				CHKD.	RKN 25.05.22	WEIGHT	REFERENCE DRG: ND-KM120	
				APPD.	RKN 25.05.22	40.4 Kg.	TITLE	
FINISH				CLEAR ANODIZE		RAIL (KM 120)		SIZE
H.T. SPEC.						ALL DIMS. ARE IN MM		A2
								SHEET 1 OF 1

IF IN DOUBT ASK