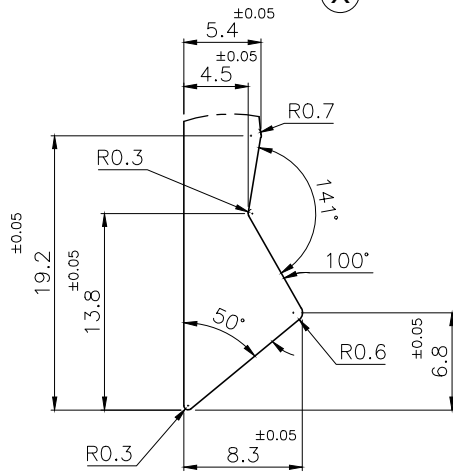
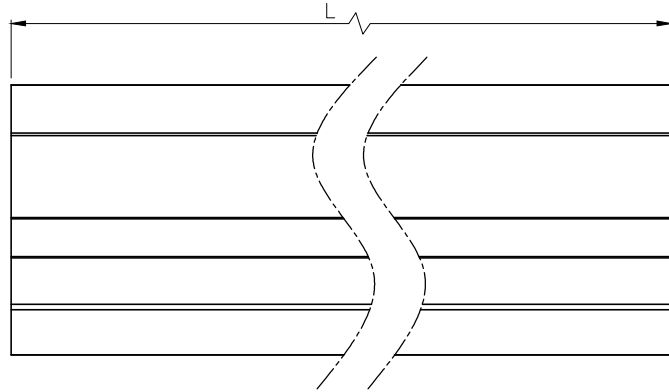
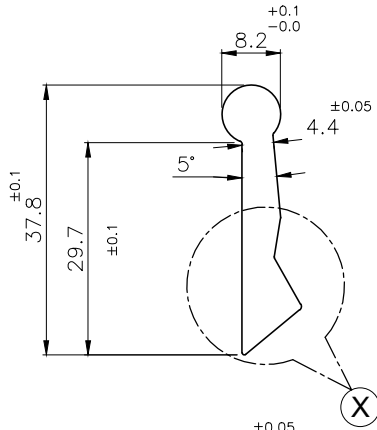


REVISIONS

REV. NO.	REVISION DESCRIPTION	REV. DATE



DETAIL: X  
SCALE: 2:1

STEP : 01  
OPERATION : EXTRUSION

**KARAM**®

**P.N. INTERNATIONAL PVT. LTD.**

C-12 AMAUSI INDUSTRIAL AREA, NADAR GANJ, LUCKNOW

2024	NAME	SIGN	DATE	TITLE:		LEVER
DGN	BRIJESH		08.04.24			
DRN	AJAY		08.04.24	MATL. AL.6005'T5'	TYPE: EXTRUDED COMPONENT	
CHD1	PRAVIN		08.04.24		DRG NO. EXAL148	SCALE
CHD2	AMIT		08.04.24		REF. NO. SA-51A(CL)(E)(04.3)	1 : 1
APPR	ANANT		08.04.24			
ALL DIMENSIONS ARE IN mm					Unspecified tolerance as per IS 2102:1980 (Medium grade)	