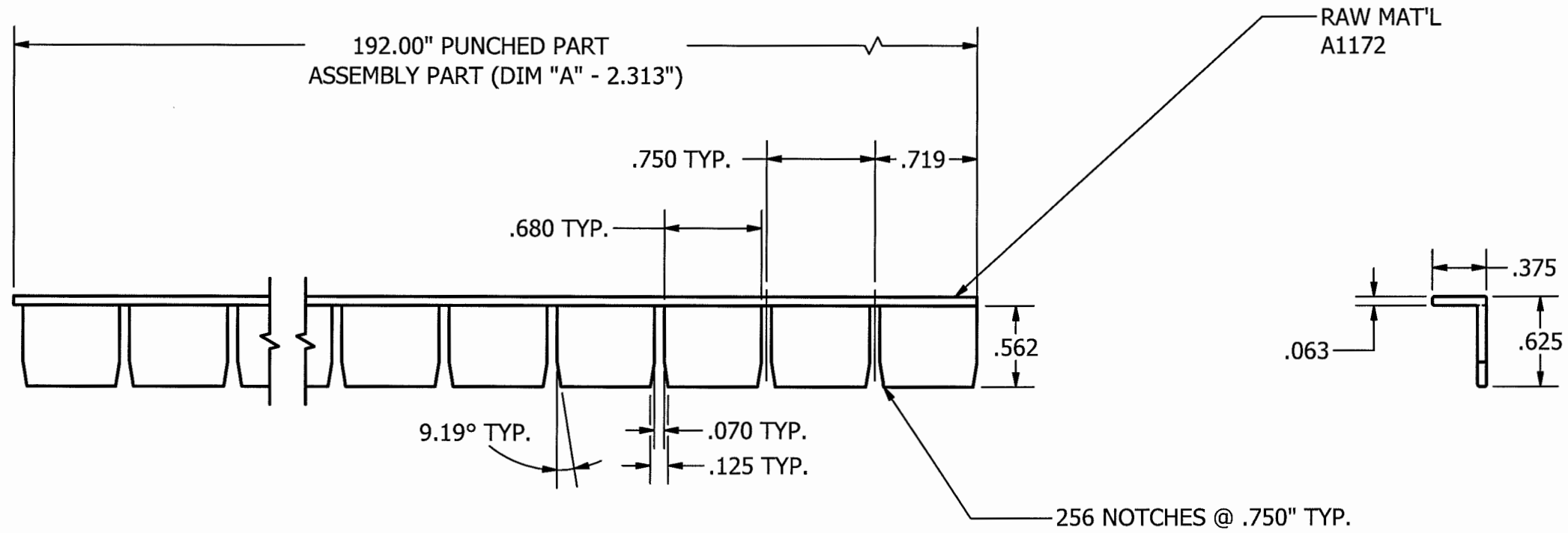


Q00064



Tolerances
Unless Stated Otherwise
Use WIQ-007, WIQ-008
Fractions ±1/16
Two Decimals ±0.020
Three Decimals ±0.010
Angle Dimensions ±2'

AUTHOR	GMH	8/12/2014	RUSKIN Air & Sound Control 3900 Doctor Greaves Road, Grandview, MO 64030 PROPRIETARY AND CONFIDENTIAL		
CHECKED					
APPROVED					
APPROVED			PRODUCT		
MATERIAL	6063-T6 EXTRUDED ALUM ANGLE .625 X .375 X .063		TITLE .750" BLADE SPACING B-ANGLE		
ECN			SIZE B	DWG NO 85-022448-00B	REV
			SCALE 1:1	INVENTOR	SHEET 1 OF 1