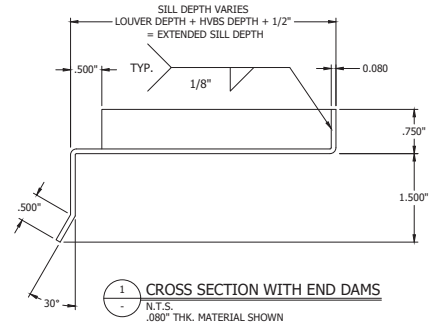
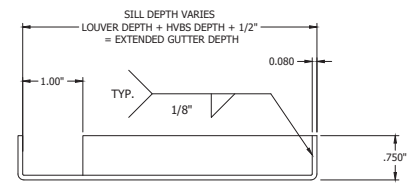


EXAMPLE
 N.T.S.
 .080" THICK FORMED SILL WITH END DAMS
 .25" STANDARD UNDERSIZING

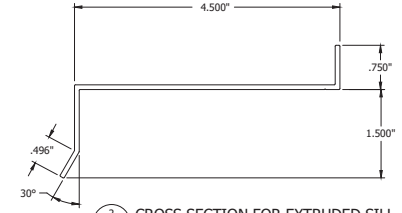
PARTIAL ELEVATION (LEFT LOWER CORNER)



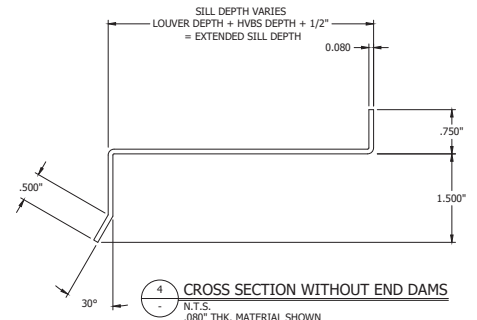
1 CROSS SECTION WITH END DAMS
 N.T.S.
 .080" THK. MATERIAL SHOWN



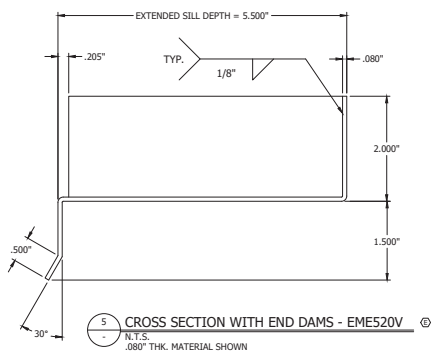
3 INTERMEDIATE GUTTER CROSS SECTION WITH END DAMS
 N.T.S.
 .080" THK. MATERIAL SHOWN
 REFERENCE GUTTER APPLICATION DETAIL SHEET 4



2 CROSS SECTION FOR EXTRUDED SILL
 N.T.S.
 .063" THK. EXTRUDED AL.



4 CROSS SECTION WITHOUT END DAMS
 N.T.S.
 .080" THK. MATERIAL SHOWN



5 CROSS SECTION WITH END DAMS - EMES20V
 N.T.S.
 .080" THK. MATERIAL SHOWN

NO CHANGES THIS SHEET, SEE SHEET 1 & 4.						
E			6968	NS	NLT	WRT 11/09/20
D	ADDED EMES20V EXTENDED SILL INFORMATION (DETAIL 5/05) REV'D SILL DEPTH DIMENSIONS (SHEET 04)		6489	NS	SDL	NLT 4/10/19
C	ADDED NEW MODEL WITH GUTTER 70-020477-008 PER CASE #171019		5038	MDT	JDL	J-W 2/28/16
B	CHANGED DETAIL 1 FROM 7.5" TO 4.5" EXTRUSION REMOVED .050 AND .063 MATERIAL FROM MATRIX.		4736	DDM	NLT	DDM 10/28/13
A	ADDED THIS SHEET TO DRAWING SET			JDL	CCS	6/8/10
REV.	REVISION DESCRIPTION	ECN	REV'D BY	CHK'D BY	APP'VD BY	DATE
	DWN. BY: JDL DATE: 11/25/08	ECN: 6968				
	CHK. BY: CCH DATE: 10/13/08	PLOT SCALE: B				
	APP'VD. BY: CCS DATE: 10/28/09	SHEET 5 OF 7				
	DWG CERTIFIED	REV: D				
	BY: _____ DATE: _____					
RUSKIN SWARTWOUT 3900 DR. GREAVES RD GRANDVIEW, MO 64030		TITLE STANDARD EXTENDED SILLS ASSEMBLY PACKAGE UNDERSIZING MATRIX RELEASE DATE: DWG. № 70-021427-00D				