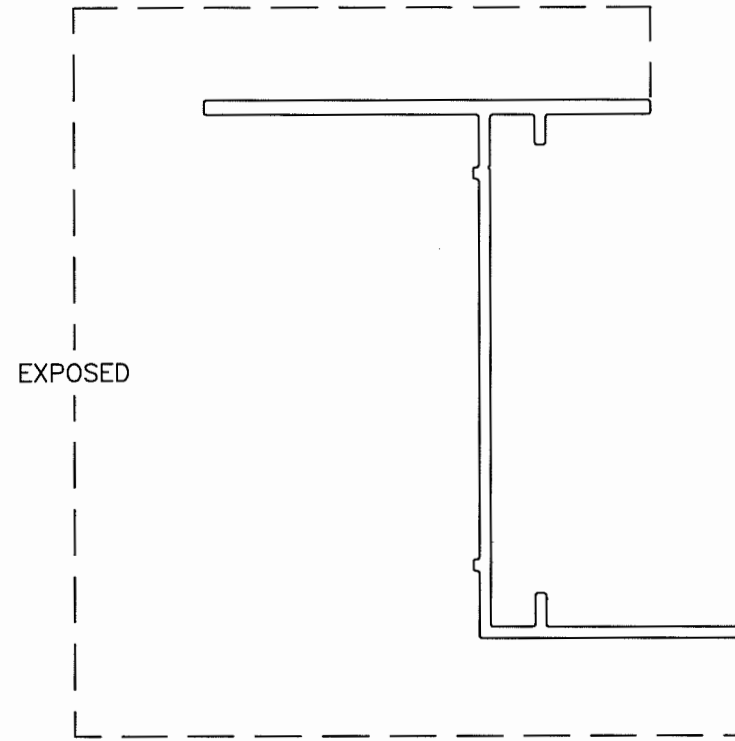
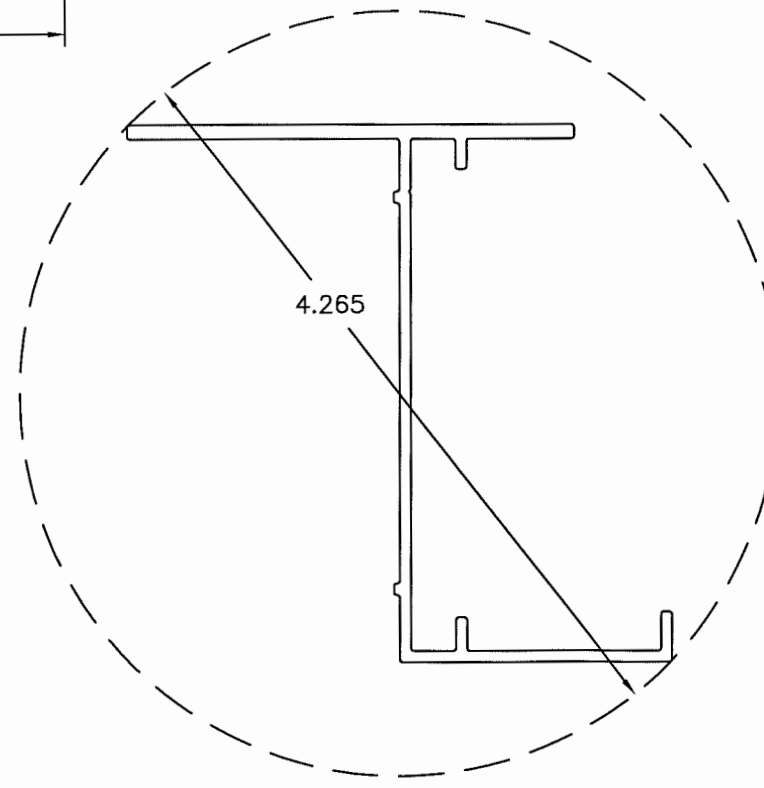


SCALE 1:1



ACTUAL SIZE



ACTUAL SIZE

NOTE:
DESIGN DIE FOR MAX. ALLOY & TEMPER SHOWN

| REV. | DESCRIPTION | DATE | REV'D BY | CHK'D BY | APP'D BY |
|---|-------------|------|----------|----------|----------|
| <p>NOTE: 1) ALL DIMENSIONS ARE GIVEN IN INCHES. 2) ALL EXPOSED SURFACES MUST BE FREE OF DIE LINES. 3) ALUMINUM ASSOCIATION TOLERANCES APPLY UNLESS OTHERWISE SPECIFIED. 4) ** EXTRUDER SPECIFIC ID MARK: .008R x .008DP</p> | | | | | |
| <p>TOLERANCES UNLESS SPECIFIED OTHERWISE 3 PLACE .XXX ±.010 2 PLACE .XX ±.020 ANGLE DIMENSIONS ± 2° USE WIG-007 & 008</p> | | | | | |
| <p>THIS INFORMATION DISCLOSED HEREIN WAS ORIGINATED BY AND IS THE PROPERTY OF RUSKIN INDUSTRIES, AND EXCEPT FOR USES EXPRESSLY GRANTED TO THE UNITED STATES GOVERNMENT RUSKIN INDUSTRIES RESERVES ALL PATENT, PROPRIETARY, DESIGN, USE, SALE, MANUFACTURING AND REPRODUCTION RIGHTS THERETO. THIS DOES NOT APPLY TO ANY VENDOR PARTS.</p> | | | | | |

| | | | |
|------|------------------|-----|-----------------------|
| CTR | CENTER | OC | ON CENTER |
| CL | CENTER LINE | OD | OUTSIDE DIAMETER |
| C-C | CENTER TO CENTER | OR | OUTSIDE RADIUS |
| CHAM | CHAMFER | PJ | POINT OF INTERSECTION |
| DAT | DATUM | R | FULL RADIUS |
| DET | DETAIL | REF | REFERENCE |
| E-E | END TO END | SYM | SYMMETRICAL |
| EXP | EXPOSED | TAN | TANGENT |
| ID | INSIDE DIAMETER | TYP | TYPICAL |
| IR | INSIDE RADIUS | | |

RUSKIN SWARTWOUT

3900 DR. GREAVES RD
GRANDVIEW, MO 64030
PH: (816) 761-7476 FAX: (816) 763-8102

| AREA | EST. PER. | EST. WT/FT. |
|------|-----------|-------------|
| .513 | 15.044 | .603 |

| ALLOY & TEMPER | UNSPEC. RADII | UNSPEC. WALL |
|----------------|---------------|--------------|
| 6063-T6 | .010 | .062 |

| | | | | |
|-------------------------------|---------|-------|---------|-------|
| DWN: | DDM | CHK: | DRP | APPV: |
| DATE: | 9-19-13 | DATE: | 9-23-13 | DATE: |
| PART DESC. | | | | |
| EME3625 JAMB FRAME FLANGED | | | | |

| | | |
|---------------|-----------|---------------|
| SCALE: B | ECN: 4100 | DATE: 7-30-14 |
| DWG No. | | |
| 70-022825-00B | | |