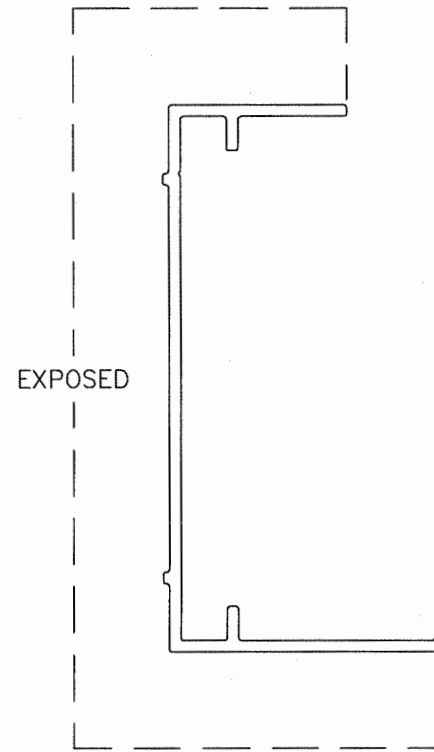
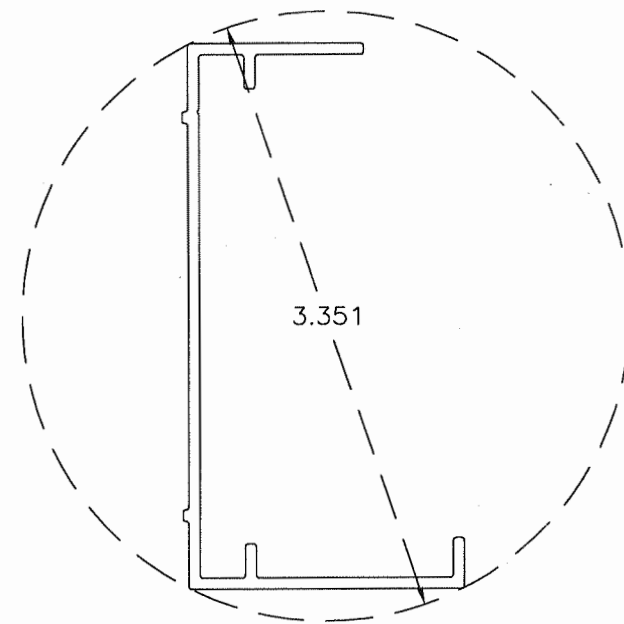


SCALE 1:1



ACTUAL SIZE



ACTUAL SIZE

NOTE:  
DESIGN DIE FOR MAX. ALLOY & TEMPER SHOWN

REV.	DESCRIPTION	DATE	REV'D BY	CHK'D BY	APP'D BY
	NOTE: 1) ALL DIMENSIONS ARE GIVEN IN INCHES. 2) ALL EXPOSED SURFACES MUST BE FREE OF DIE LINES. 3) ALUMINUM ASSOCIATION TOLERANCES APPLY UNLESS OTHERWISE SPECIFIED. 4) ** EXTRUDER SPECIFIC ID MARK: .008R x .008DP				
TOLERANCES UNLESS SPECIFIED OTHERWISE 3 PLACE .XXX ±.010 2 PLACE .XX ±.020 ANGLE DIMENSIONS ± 2' USE WQ-007 & 008					
THIS INFORMATION DISCLOSED HEREIN WAS ORIGINATED BY AND IS THE PROPERTY OF RUSKIN INDUSTRIES, AND EXCEPT FOR USES EXPRESSLY GRANTED TO THE UNITED STATES GOVERNMENT, RUSKIN INDUSTRIES RESERVES ALL PATENT, PROPRIETARY, DESIGN, USE, SALE, MANUFACTURING AND REPRODUCTION RIGHTS THEREIN. THIS DOES NOT APPLY TO ANY VENDOR PARTS.					

CTR	CENTER	OC	ON CENTER
CL	CENTER LINE	OD	OUTSIDE DIAMETER
C-C	CENTER TO CENTER	OR	OUTSIDE RADIUS
CHAM	CHAMFER	PI	POINT OF INTERSECTION
DAT	DATUM	R	FULL RADIUS
DET	DETAIL	REF	REFERENCE
E-E	END TO END	SYM	SYMMETRICAL
EXP	EXPOSED	TAN	TANGENT
ID	INSIDE DIAMETER	TYP	TYPICAL
IR	INSIDE RADIUS		

# RUSKIN

## SWARTWOUT

3900 DR. GREAVES RD  
 GRANDVIEW, MO 64030  
 PH: (816) 761-7476 FAX: (816) 763-8102

AREA	EST. PER.	EST. WT/FT.
.375	12.031	.450

ALLOY & TEMPER	UNSPEC. RADII	UNSPEC. WALL
6063-T6	.010	.062

DWN: HAZ	CHK: DLC	APPV: TJC
DATE: 05/02/08	DATE: 08/29/08	DATE: 10/8/08

PART DESC. EME3625  
 JAMB FRAME

SCALE: B ECN: 3677 DATE: 1-29-'10

DWG No. 70-021794-00B