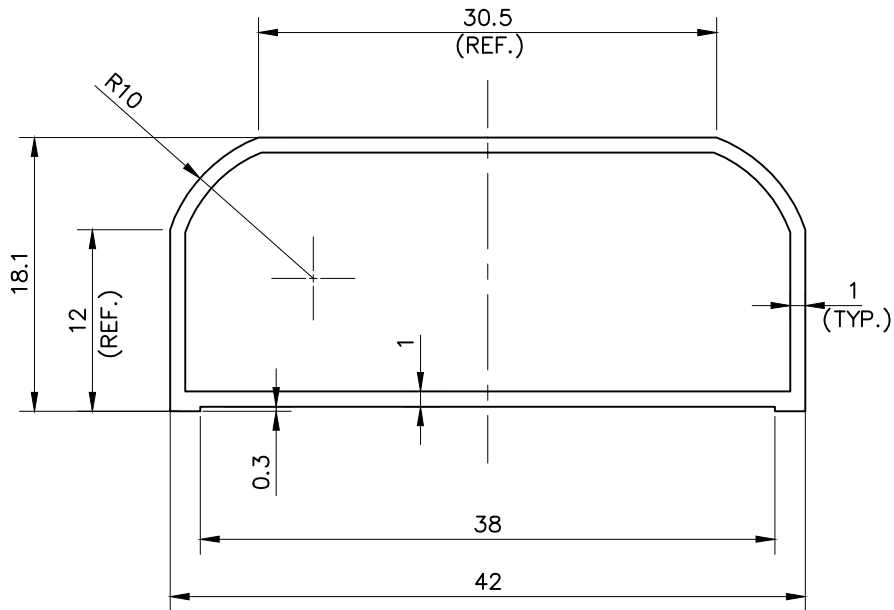


BEFORE APPROVAL CHECK ALL DIMENSIONS PROPERLY

PROPOSED DRAWING
Q00577




SCALE 1:1



- 1. STRAIGHTNESS= 1.7mm/M
- 2. TWIST= 1.7mm/M
- 3. ANGULARITY= $\pm 2^\circ$
- 4. FLATNESS= 0.007xWIDTH

UNCONTROLLED COPY

1) THE WELDING LINE IN THE EXPOSED SURFACE OF PROFILE IS UNAVOIDABLE. 2) PLEASE SPECIFY IMPORTANT SIZES. 3) PLEASE SPECIFY IF THIS PROFILE MATCHES WITH OTHER PROFILES. 4) PLEASE SPECIFY EXPOSED SURFACE. OTHER WISE CONSIDERED AS NO EXPOSED SURFACE. 5) FINISH :- MILL FINISH / ANODIZING / POWDER COATING

 SYMBOL OF QUALITY AN ISO 9001 COMPANY	JINDAL ALUMINIUM LTD. BHIWADI-301019 (INDIA)		NAME	DATE
	DRAWN	ASHUTOSH	03-05-2023	
	CHECKED			
1. ALL DIMENSIONS ARE IN mm. 2. ROUND OFF ALL SHARP CORNERS WITH 0.40 mm. 3. TOLERANCES WILL BE AS PER BS:EN-755-9 , UNLESS OTHERWISE SPECIFIED		SCALE	1:1&2:1	
PARTY'S NAME		M/s. A.K. INTERNATIONAL ROORKEE U.K INDIA	AREA mm ²	110.77
PARTY'S DRAWING No.		AS PER DRAWING -SECTION-3 (Q00577)	PERIMETER mm.	114.35
ALLOY & TEMPER		6063-T6	WEIGHT kg/m	0.299
DESCRIPTION		MISC. TUBE	DRAWING No.	SECTION No.