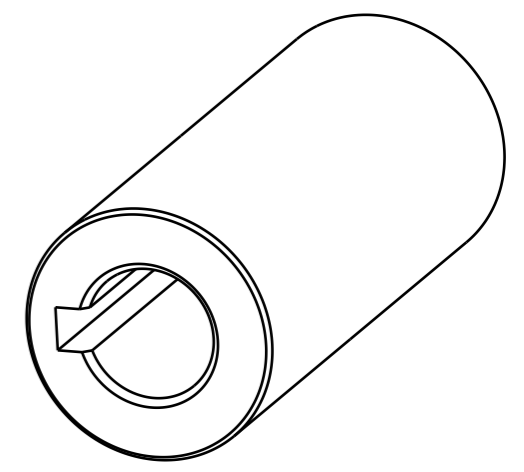
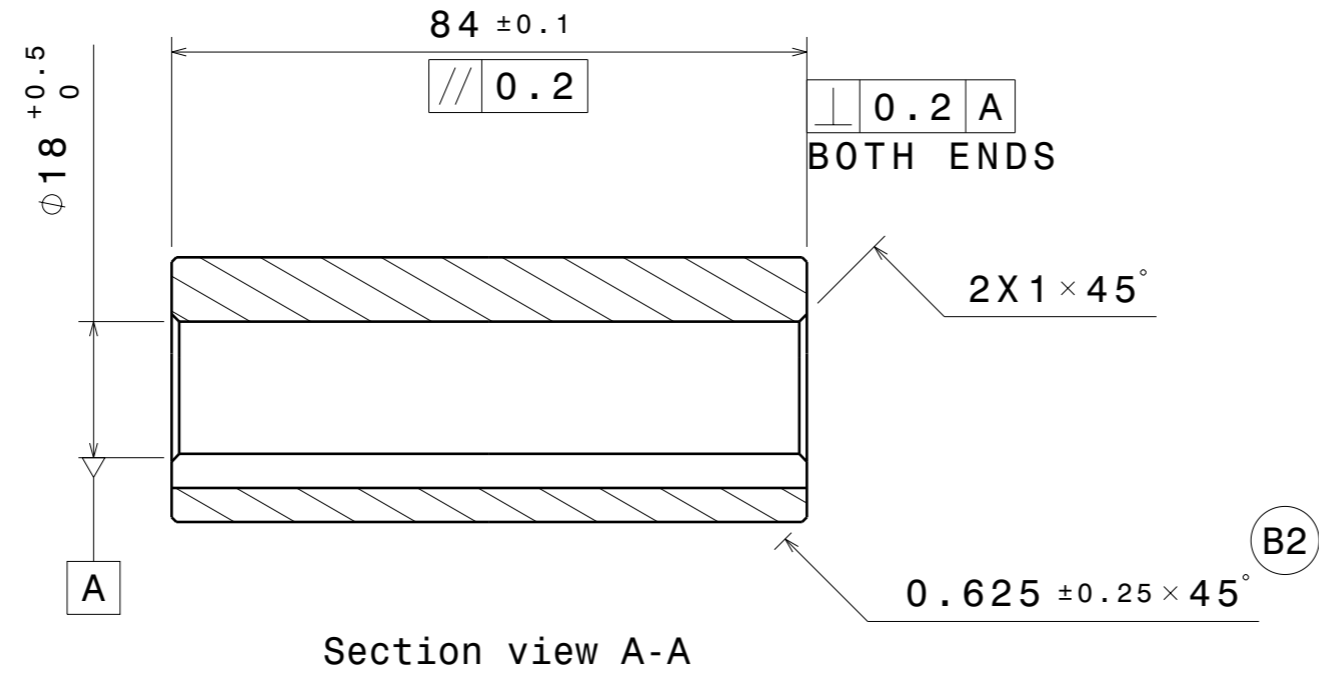
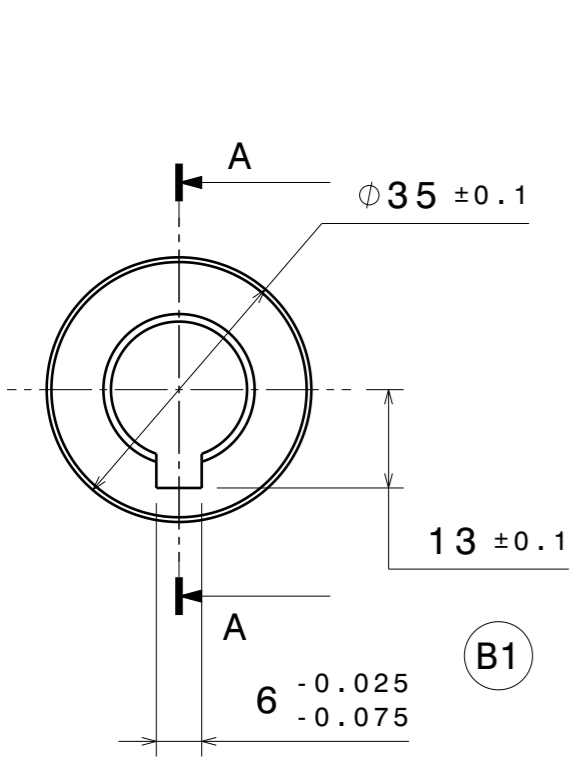


VER	PLS	DESCRIPTION	CHD BY	DATE	APD BY	ECR
A	-	INITIAL RELEASE				940
B	2	1. ADDED FEATURE 2. ADDED CHAMFER	RPC	24MAR23	JV	1176



Isometric view


-0.2 EDGES acc.  
DIN ISO 13715

MATERIAL: ALUMINUM 6063-T6

DELIVERY CONDITION:  
SURFACES TO BE FREE OF GRAPHITE,  
SILICONE COMPOUNDS, MOLYBDENUM  
DISULPHIDE, SULFUR AND DIRT

DRN.BY:	R.CHURCH	19MAY22
APD.BY:	J.VANCE	19MAY22
CAD SYSTEM:	CATIA V5	PROTECTION MARK: ISO 16015
TOLERANCED:	ISO 2768-mk ISO 8015	ISO 3302:M3 (RUBBER) DIN 16901 (PLASTIC)
MASS: 0.155kg	○ CALCULATED - ACTUAL	THIRD ANGLE PROJ

PROPERTY OF ANP	
THIS DRAWING IS THE SOLE PROPERTY OF ANP. IT CANNOT BE COPIED BY ANYONE WITHOUT WRITTEN PERMISSION OF ANP	
UNIT - MM	MODEL IS MASTER FOR ALL NON-DIMENSIONED FEATURES
SCALE - 1:1	
SHEET - A3	
CUST REFERENCE NO.	PRODUCTION REFERENCE NO.
-	XXXXX

 <b>ANAND NVH PRODUCTS INC.</b>	
TITLE: <b>INNER PART</b>	
PART NO.:	<b>U-ET01606-D11 B</b>