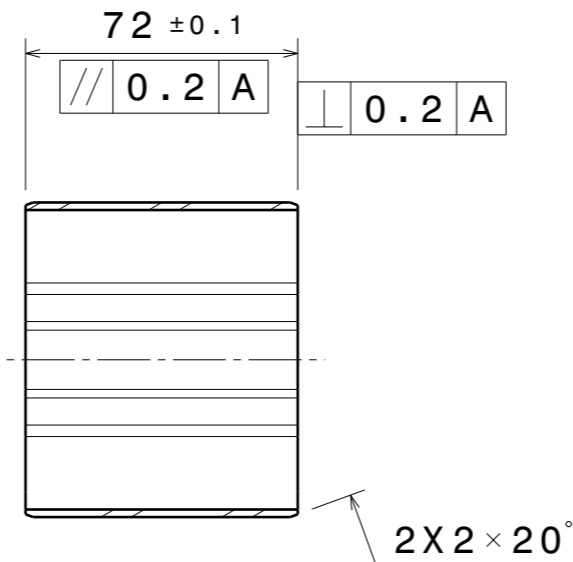
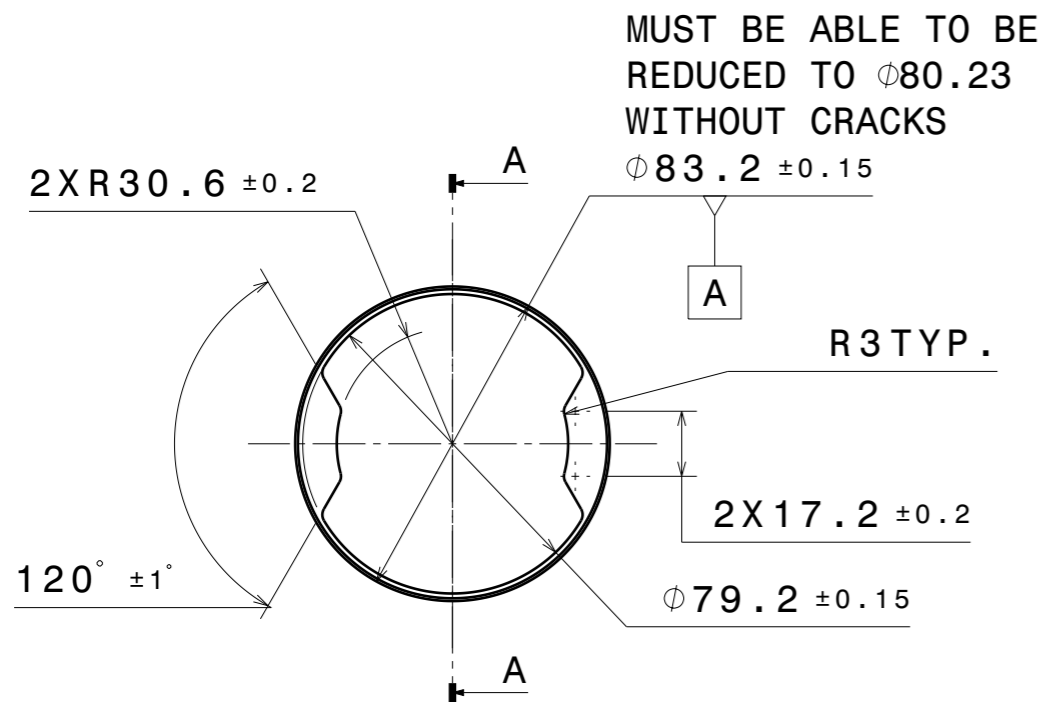
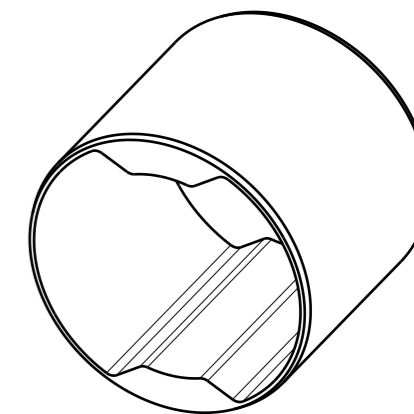


VER	PLS	DESCRIPTION	CHD BY	DATE	APD BY	ECR
A	-	INITIAL RELEASE				1177



Section view A-A




Isometric view

-0.2 EDGES acc.
DIN ISO 13715

MATERIAL: ALUMINUM 6063-T6

DELIVERY CONDITION:
SURFACES TO BE FREE OF GRAPHITE,
SILICONE COMPOUNDS, MOLYBDENUM
DISULPHIDE, SULFUR AND DIRT.

DRN. BY: R. CHURCH	27MAR23	PROPERTY OF ANP		 ANAND NVH PRODUCTS INC.
APD. BY: J. VANCE	27MAR23	THIS DRAWING IS THE SOLE PROPERTY OF ANP. IT CANNOT BE COPIED BY ANYONE WITHOUT WRITTEN PERMISSION OF ANP		
CAD SYSTEM: CATIA V5	PROTECTION MARK: ISO 16015	UNIT - MM		TITLE: OUTER PART
TOLERANCED: ISO 2768-mk ISO 8015	ISO 3302:M3 (RUBBER) DIN 16901 (PLASTIC)	SCALE - 1:1	MODEL IS MASTER FOR ALL NON-DIMENSIONED FEATURES	
MASS: 0.2kg	⊙ CALCULATED - ACTUAL	THIRD ANGLE PROJ	SHEET - A3	PART NO.: U-ET11607-D12 A
CUST REFERENCE NO. XXXXX		PRODUCTION REFERENCE NO. XXXXX		