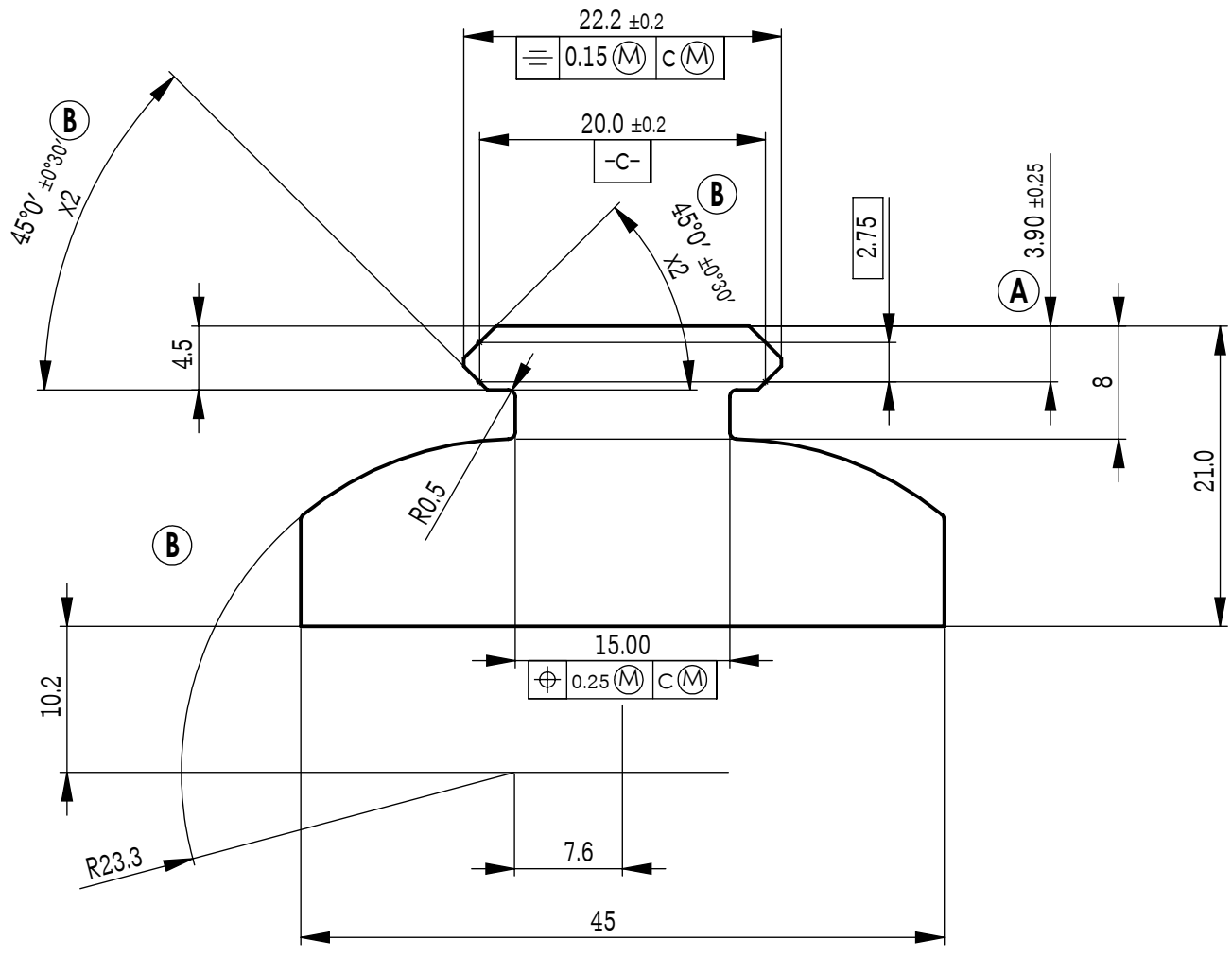


REV.	DESCRIPTION	DATE	APPROVED
A	3.90±0.25 WAS 4.15 _{-0.5}	13/05/2009	DORON
B	ADD MATERIAL OPTION AL 6082 - T6 45°0' WAS 45° DAT.	30/05/2013	DORON



MATERIAL: AL 6061-T6 OR AL 6082-T6 (B)

TOLERANCE ANG.	TOLERANCE LIN.	PART DIMENSIONS: -	
± - °	± 0.1	SURF. TEXTURE:	H. T. -
INTERNAL RAD.:	0.3	PROTECTIVE COATING:	
BREAK EDGES:	-		

		SUBJECT: Tavor	
		PART No.: 73.600.9811	
		SCALE	NEXT ASSY.: -
		1:5	
		מק"ט צד"ל: -	
		REV. B	SHEET 1 OF 2 SHEET SA4