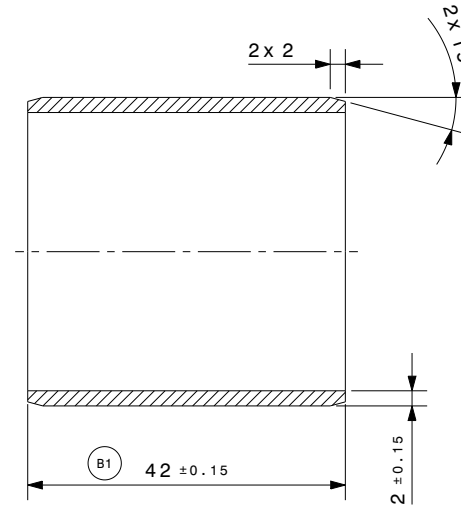
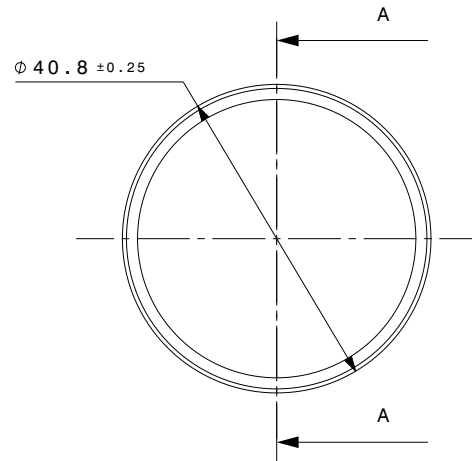


**BILL OF MATERIAL**

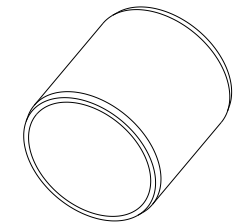
ITEM	QTY	PART NAME	PART NUMBER	MATERIAL SPEC.	MASS (Kg)	CSA (in <sup>2</sup> )	TSA (in <sup>2</sup> )
1	--	OUTER	I-ST28201-D12	ALUMINIUM 6082-T6 / 6061-T6 ASTM B221-05A	0.028kg	7.562in <sup>2</sup>	16.433in <sup>2</sup>

VERSION	PLACES	DESCRIPTION	CHANGED BY	DATE	APD. BY
A	---	INITIAL RELEASE	-----	23.11.2022	S.A.
B	1	B1 WAS 42.2±0.2	MANISH	10.12.2022	S.A.



Section view A-A

**FOR DEVELOPMENT  
ONLY**  
Issue Date : 10/12/22  
Issued By : MANISH



Isometric view

**NOTES**

- \* FOR UNSPECIFIED DIMENSION REFER 3D CAD DATA.
- \* REMOVE ALL SHARP EDGES AND BURRS.

<input type="checkbox"/> FOR QUOTATION	DRAWN BY	MANISH KUMAR		PART NAME	OUTER	 <b>ANAND NVH PRODUCTS (P) LTD</b> N.H.-8 SECTOR 35 GURGAON HARYANA-122001 (INDIA) PROPERTY OF ANP <small>THIS DRAWING IS SOLE PROPERTY OF ANP. IT SHOULD NOT BE COPIED BY ANYONE WITHOUT THE WRITTEN PERMISSION OF ANP.</small>
<input type="checkbox"/> FOR COSTING	CHECKED BY	PANKAJ KASAR		PART NUMBER	I-ST28201-D12	
<input checked="" type="checkbox"/> FOR DEVELOPMENT	APPROVED BY	S.ADHIMOOMAM		TOLERANCED: ISO 2768-mk ISO 8015 CAD SYSTEM: CATIA V5 PROTECTION MARK: ISO 16016 (ASC) : ANAND SPECIAL CHARACTERISTIC SHEET No SCALE NTS UNIT mm		
<input type="checkbox"/> FOR SERIAL PRODUCTION	FOR WEIGHT SEE BOM	DATE: 23.11.2022	MODEL IS MASTER FOR ALL NON-DIMENSIONED FEATURES	REFERENCE PART NO	I-ST18201-000	B