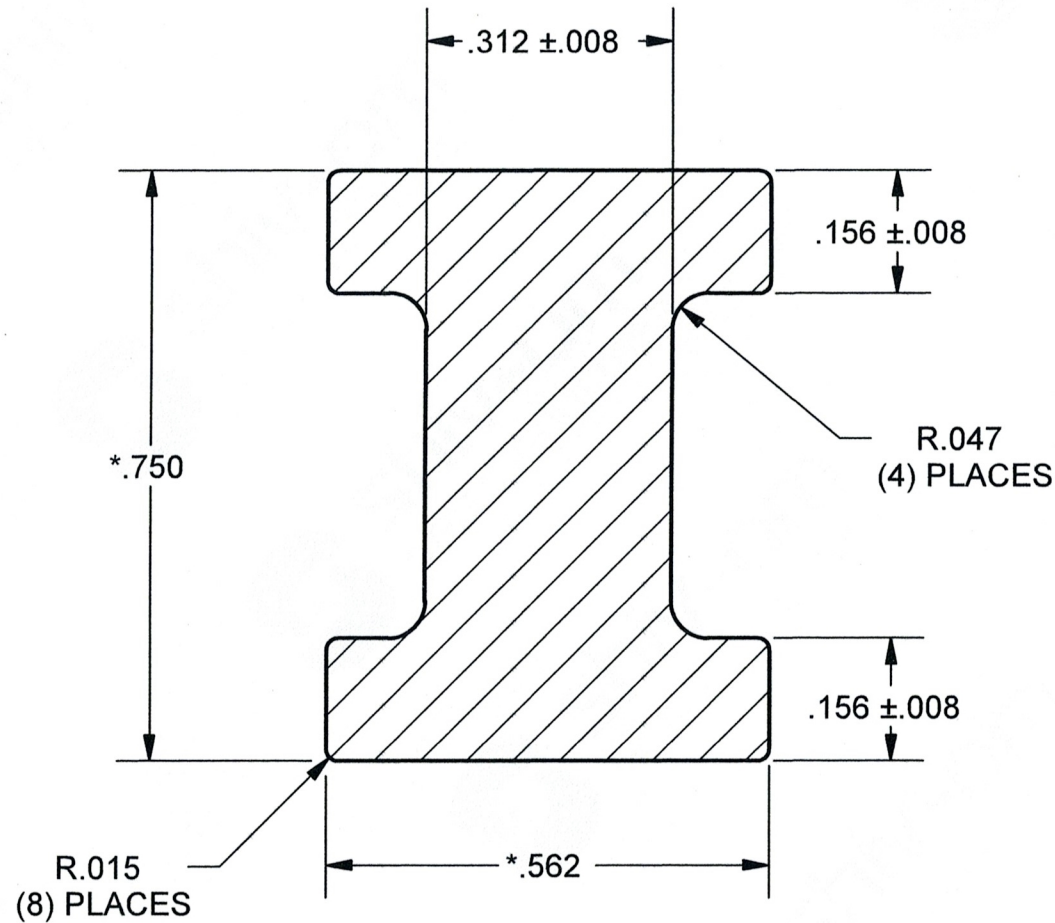


Q00088



TOLERANCES UNLESS OTHERWISE SPECIFIED :	
2 PL. DEC.	± 0,010
3 PL. DEC.	± 0,010
TRUE C.L.	± 0,015
ANGLES	± 1

NOTES :

1. * - CRITICAL DIMENSION.

<p>PROPERTY AND CONFIDENTIAL : THE INFORMATION CONTAINED IN THIS DRAWING IS THE SOLE PROPERTY OF SHIV-OM BRASS INDUSTRIES. ANY PRODUCTION IN PART OR AS A WHOLE WITHOUT THE WRITTEN PERMISSION IS PROHIBITED.</p>	DRW BY:	H.V	13/06/2022	<i>H.V</i>	MATERIAL:- ALUMINIUM
	CHE BY:	V.V / S.H	13/06/2022	<i>V.V</i>	GRADE :- 6061 - T6
	APP BY:	Y.G / P.J	13/06/2022	<i>Y.G</i>	PLATING :-
					GROSS WEIGHT :-
					FINISH WEIGHT :-
<p>GEN. TOL. :- AS PER TABLE</p> <p>SCALE :- NTS</p> <p>3rd ANGLE PROJECTION</p> <p>All Dimensions Are In : INCHES</p>					

REF :- AS PER CUSTOMER DRAWING
DESCRIPTION:-
ALUMINIUM SECTION
CUSTOMER DRG. NO.:- X0211 (REV. H)
DRG. NO.:-
SD-1376-ROD