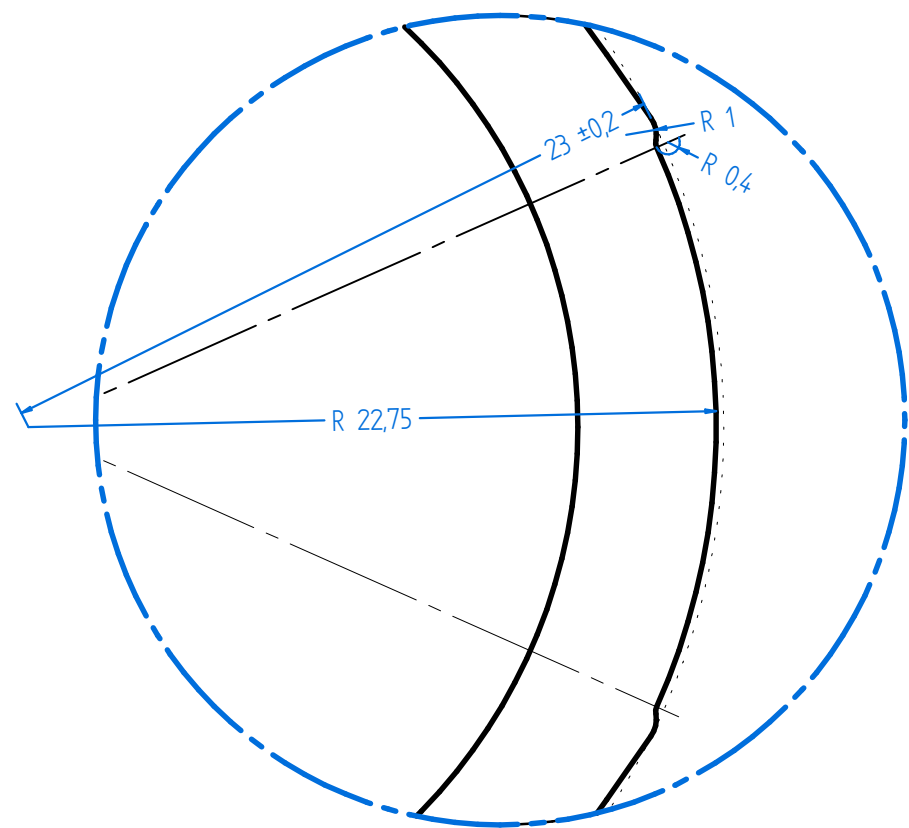
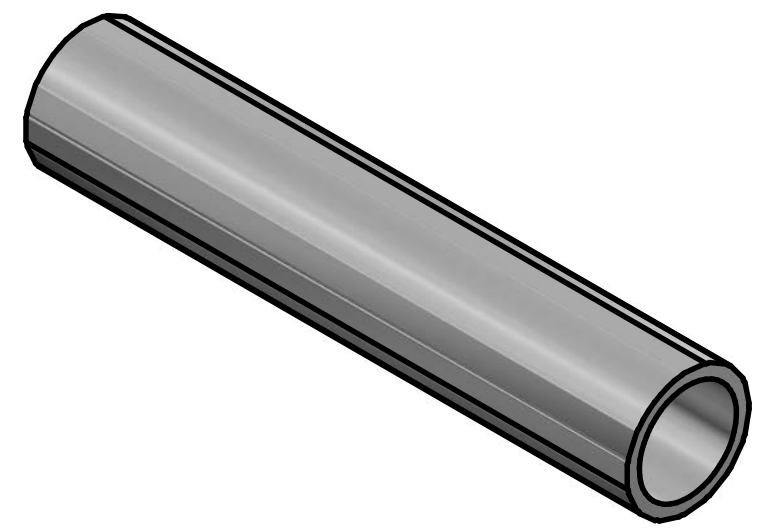
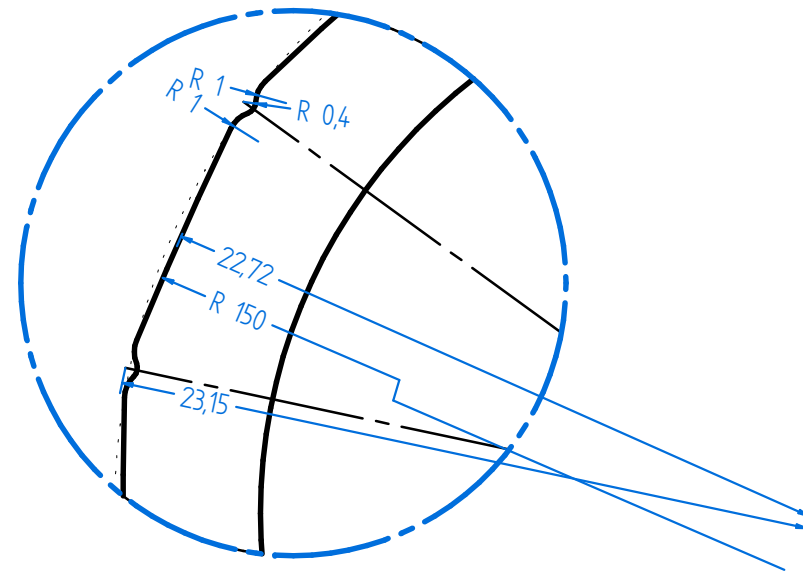


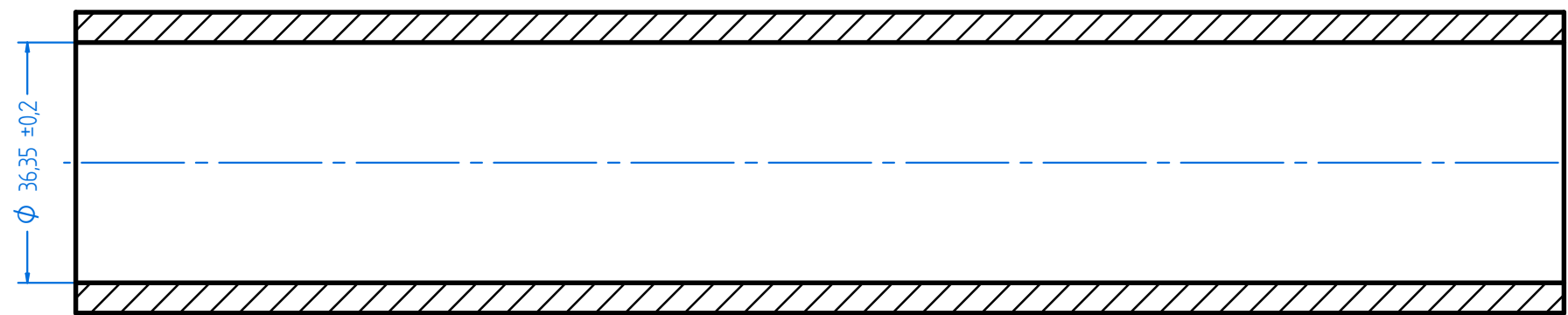
Tolerance Standard | 0,5-6 | 6-30 | 30-120 | 120-400 | 400-1000  
 DIN ISO 2768/1-m | ±0,1 | ±0,2 | ±0,3 | ±0,5 | ±0,8



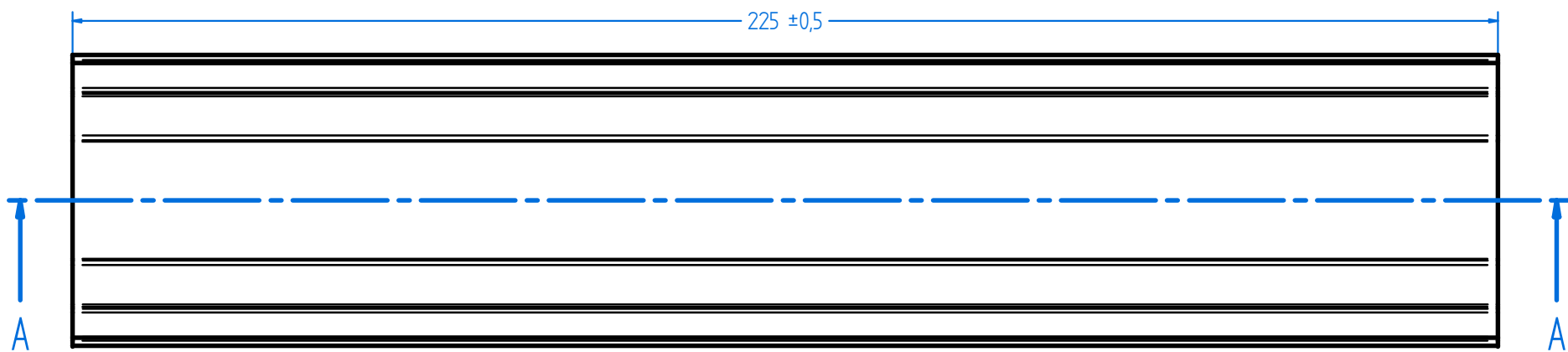
DETAIL B



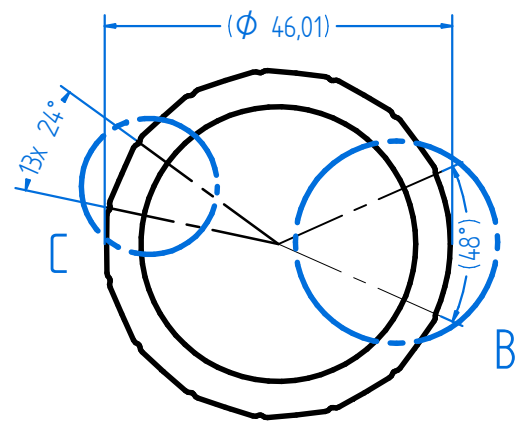
DETAIL C



SECTION A-A



1. All data available in 3D-CAD file:  
 TMFT 36\_PRO B-1-1E - Impact Sleeve B - Tube - Extrusion SE- v1 - 2020-03-06
2. Designed by Engg, Netherlands
3. Engineered by Innovstep, Portugal
4. Checked and approved by: Filipe Pires, 2020-03-06



Issue Date	Change	Approved	Drawn - Date	Approved - Date	Scale	Material	Processing	Surface	Product
			Av0 - 2020-03-06	FP - 2020-03-06	A3 1:1	Aluminum, 6063-T5	Heat treated - T5		TMFT 36/PRO
			Weight	Remark		Product Designation	Name	Drawing No.	Issue
			0,365 kg	Approx weight per meter: 1,622 kg			Impact Sleeve B - Tube - Extrusion	TMFT 36_PRO B-1-1E	v1